

Project _____

Type _____

Notes _____

PERFORMANCE PER LINEAR FOOT AT 4000K

NOMINAL LUMEN OUTPUT	INPUT WATTS*	EFFICACY
500 lm/ft	5.15 W/ft	97 lm/W
750 lm/ft	7.1 W/ft	96 lm/W
1000 lm/ft	10.85 W/ft	93 lm/W

* Based on a 4 foot luminaire using one driver
Please consult factory for custom lumen output and wattage.



Ordering Guide

BBRLED						ASO	
PRODUCT ID	NOM. LUMENS/FT	CRI	COLOR TEMP.	SHIELDING	LENGTH		
BBRLED Recessed LED	400 400 lm/ft - Minimum 1000 1000 lm/ft - Maximum	80 80 CRI 90 90 CRI	27 2700 K 30 3000 K 35 3500 K 40 4000 K	ASO asymmetric with SO lens	2 2' 3 3' 4 4' 5 5' 6 6' 8 8' 12 12' S# system run		
Outputs between listed min and max are available. Consult factory for outputs outside of the listed range.		Consult Axitune spec sheet for Axis color technology options		See page 2-3 for more details			

LED DOWNLIGHT INSERT	FINISH	VOLTAGE	DRIVER	CIRCUITS
CB21225# Fixed LED 1-3/4" dia 1250lm 25deg ⁽¹⁾	AP aluminum paint	120 120 V	DP dimming (0-10V) 1%	1 1 circuit
CB21234# Fixed LED 1-3/4" dia 1250lm 34deg ⁽¹⁾	W white	277 277 V	LT Lutron ⁽³⁾	2 2 circuits
CB21246# Fixed LED 1-3/4" dia 1250lm 46deg ⁽¹⁾	BLK black	347 347 V	BI bi-level dimming	+E(#) emergency circuit ⁽⁵⁾
CB20925# Fixed LED 1-3/4" dia 900lm 25deg ⁽¹⁾	C custom	UNV universal	O other ⁽⁴⁾	+NL(#) night light circuit ⁽⁵⁾
CB20934# Fixed LED 1-3/4" dia 900lm 34deg ⁽¹⁾				+GTD(#) generator transfer device ⁽⁵⁾
CB20946# Fixed LED 1-3/4" dia 900lm 46deg ⁽¹⁾				+M MR
M16# Adj. MR 16 halogen lamp (by others) ⁽²⁾				
M16LED# Adj. MR 16 LED lamp (provided) ⁽²⁾ *				
⁽¹⁾ Available in 3000K. Consult factory for other CCT's; comes with 5" deep extrusion - see pg.3		⁽³⁾ Specify system		⁽⁵⁾ Specify quantity
⁽²⁾ See page 5 for more details; 25° adjustability Requires 120V or 277V		⁽⁴⁾ Please consult factory; see page 2 Consult Axitune spec sheet for Axis color driver options		
* Available in 2700K or 3000K.				

MOUNTING	BATTERY (OPTIONAL)	OTHER (OPTIONAL)	IC CONTROLS (OPTIONAL)	CUSTOM (OPTIONAL)
TB9 t-bar 9/16" TB15 t-bar 15/16" ST screw slot t-bar TG9 tegular 9/16" TG15 tegular 15/16" DF drywall flange D drywall flangeless DB slip-through bracket DS drywall spackle flange	B# battery pack 4' sections	F fuse ⁽⁶⁾ EF end feed FW(#) flex whip (6' std) CP Chicago plenum HD hold down clip ⁽⁷⁾	DS# daylight sensor OS# occupancy sensor DOS# daylight & occupancy sensor EN# Enlighted integral ⁽⁸⁾ ENR# Enlighted remote ⁽⁹⁾ WC# wireless control dimming	C custom
	Not available with 347V Please consult factory	⁽⁶⁾ Requires 120V or 277V ⁽⁷⁾ Only available for t-bar mounting	⁽⁸⁾ For flush option only; Please consult factory ⁽⁹⁾ Please consult factory. Specify quantity. Requires 8" blank. See integrated controls guide for more details.	Please specify

● CONSTRUCTION

Housing	Extruded aluminum (0.075" nominal) up to 70% recycled content
End Cap	Sheet steel (18 gauge)
Interior Brackets	Die formed sheet steel (18 gauge)
Reflectors	White powder coated sheet steel (22 gauge)
Blank	Extruded aluminum (0.075" nominal)
Lens	Spotless acrylic lens
T-Bar Bracket	Die formed sheet steel (16 gauge)
Screw Slot T-Bar Bracket	Die formed sheet steel (16 gauge)
Slip-Through Bracket	Die formed sheet steel (18 gauge)
Spackle Flange	Die formed perforated sheet steel (20 gauge)
Flange	Extruded aluminum (0.075" nominal) visible flange width: 9/16"

● ELECTRICAL


Lutron driver*	LDE1 - EcoSystem H-Series (1%) LDE5 - EcoSystem 5-Series (5%) LTE - Hi-Lume® A-series 2Wires Forward Phase (1%) <small>*Consult factory</small>
Other drivers	DALI - Digital Addressable Lighting Interface DMX - Digital Multiplex LV - line voltage - Advance Mark 10 Xitanium SR - For wireless sensor
Emergency	Integral emergency battery pack or emergency circuit optional.
Input Voltage	120V, 277V, 347V, UNV.

i Incorporating these components may have limitations or affect the length of the luminaire. Please contact factory for more details.

● SYSTEM (S#)

BEAM4 LED linear systems, with the use of a strong profile, allow for a nearly hair thin connection system of continuous runs. Lengths of 4', 8', 12' as well as custom lengths are available. Runs of BEAM4 LED that are greater than 12' in length are designated as systems (S#). This means that the run is comprised of a combination 4', 8' and/or 12' sections to be assembled on site using our joining system. For more information on systems and joining, please refer to the BEAM installation sheets available for download at www.axislighting.com.

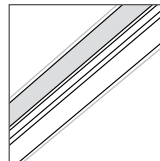
● APPROVALS

Certified to UL and CSA standards 
Meets NYC requirements
Meets CCEC requirements (Chicago plenum)
Suitable for damp locations
IC Rated (Insulated ceiling)

● WARRANTY

Axis Lighting will warrant defective LEDs, boards, and drivers for 5 years from date of purchase. Warranty is valid if luminaire is installed and used according to specifications. If defective, Axis will send replacement boards or drivers at no cost along with detailed replacement instructions and instructions on how to return defective components to Axis.

● OPTICS

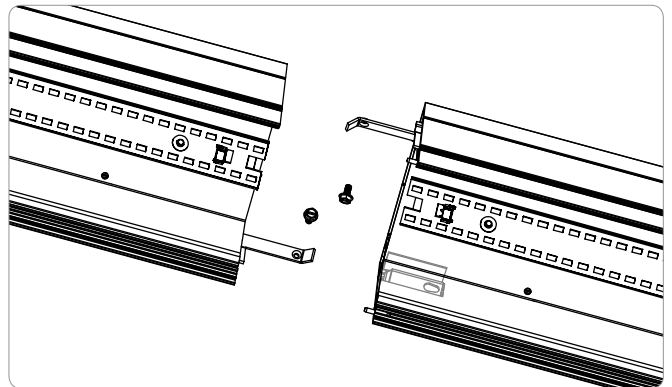


ASO asymmetric with SO lens

ASYMMETRIC WITH SPOTLESS LENS
(acrylic snap-in lens) spotless: 85% trans.

● JOINERS

In order to allow very long runs of BEAM4 LED luminaires, Axis has developed a number of different joining systems. Special care has been taken to maximize the performance of the joiner for each BEAM4 LED option.



JOINER SYSTEM

NOTE: Hang each system segment individually. Do not assemble system prior to hanging.

● FINISHES

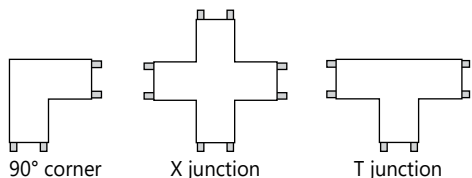
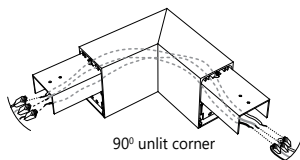
Powder coated and custom finishes are also available.

● WEIGHT

Recessed Asymmetric 4ft	14.5 lbs / 6.6 kg
Recessed Asymmetric 8ft	29.0 lbs / 13.2 kg
Recessed Asymmetric 12ft	43.5 lbs / 19.7 kg

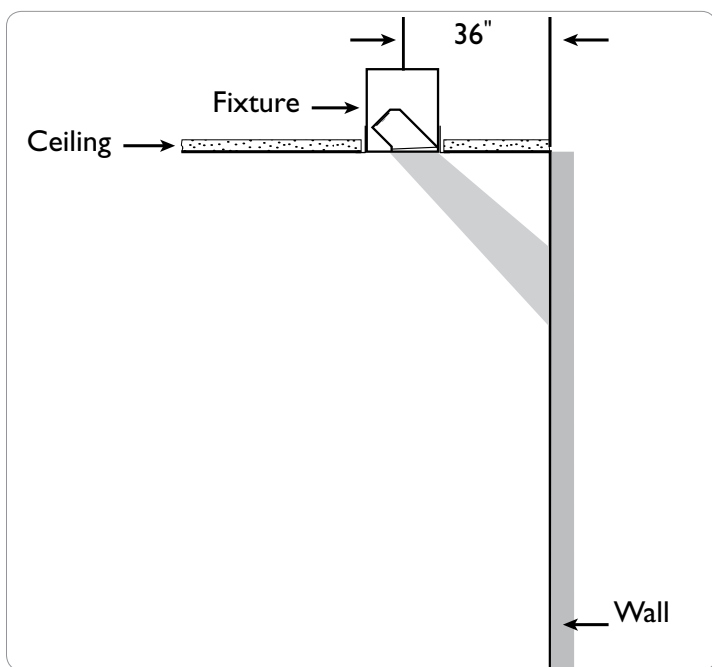
● CORNERS

Unlit Corners - BEAM4 LED features a multitude of layout patterns with the use of a number of corners, 90° corner, T or X junctions.



i For custom corner angles, please consult factory. Specifications sheets for all corners are available at: www.axislighting.com

● LIGHT WASH



NOTE: Recommended distance from the wall - 3 to 4ft.

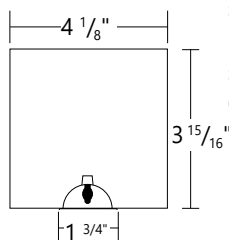
● LED SYSTEM

CRI	Minimum 80 or 90 color rendering index
CCT	Choice of 2700K, 3000K, 3500K and 4000K color temperature with a great color consistency (within 3.5-step MacAdam ellipse).
LED life	Minimum 50,000h with 70% of lumen maintenance in 25°C ambient temperature, in compliance with IES LM-80 testing measurements.
Thermal management	Aluminium housing acting as the heat sink to maximize life.

● MR16 LED LAMPS

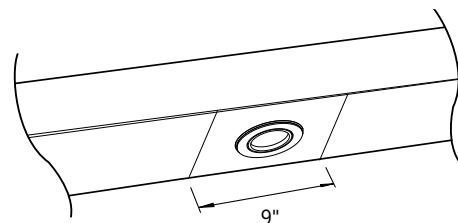
Blank	Extruded aluminum (0.075" nominal)
MR16 Halogens	Adjustable halogen lamp 35W / 50W (by others)
MR16 LED	Adjustable LED lamp (provided)
Quantity	For every 4' section, there may be up to a maximum of 4 x MR16 LED lamps.

Spacing

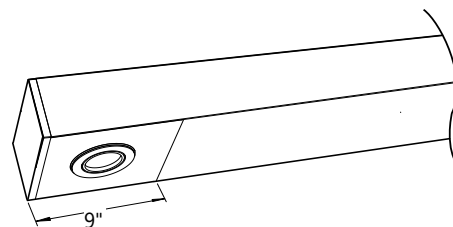


Each MR16 is placed centered on a blank section 9" in length. Within a given section length, a series of downlights will be spaced evenly on a longer blank section. Custom spacing available on special request.

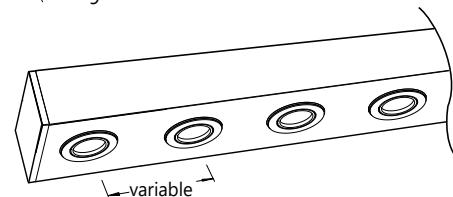
Between sections



At luminaire ends



Several in a long blank section

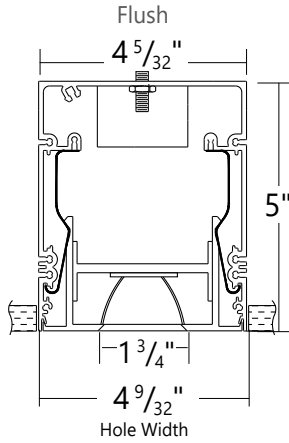


Base Type	GU 5.3
Beam Angle	40 nominal degrees
Input Watts	6W
Nominal Lumens	300 lumens
Efficacy	50 lumens per watt
Color Rendering Index (CRI)	85
Center Beam Candle Power (CBCP)	584 candelas
Life	25,000 hours at L ₇₀
Correlated color temperature (CCT)	2700K, 3000K
Adjustability	25° tilt

i More options are available upon request. Please consult factory.

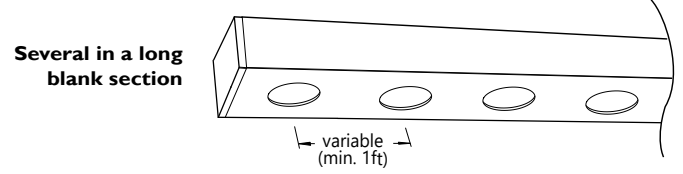
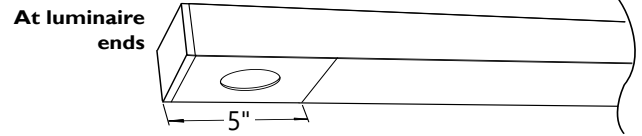
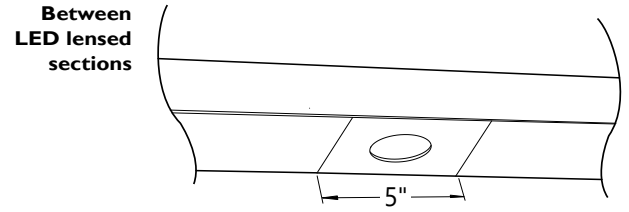
● LED DOWNLIGHT INSERT

Blank Extruded Aluminum (0.075" nominal)
CB2 1-3/4" diameter fixed, 900 or 1250 lumen, 25°, 34°, 46°;
 3000K, R9=70, CRI=90, 3 Macadam Ellipse
Quantity Allow minimum 1ft distance between multiple units.

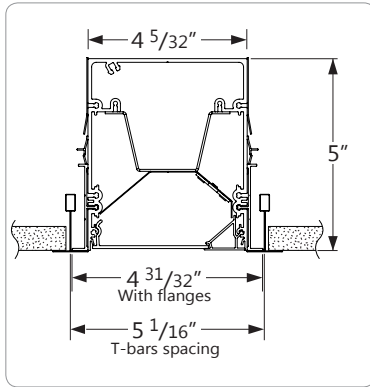


PERFORMANCE

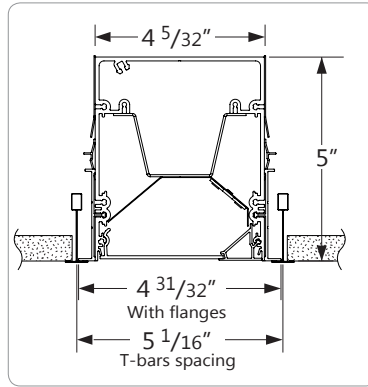
	LUMENS	WATTS	EFFICACY
CB209	950	12.9 W/ft	73 lm/W
CB212	1270	17.8 W/ft	71 lm/W



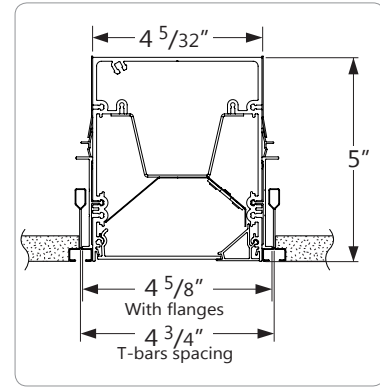
● TB CEILING MOUNTING OPTIONS



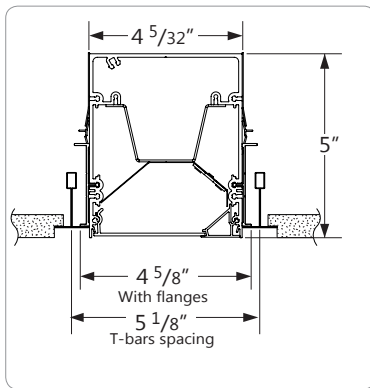
TB15 15/16" T-BAR



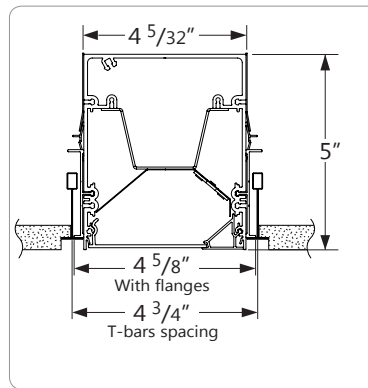
TB9 9/16" T-BAR



ST SCREW SLOT T-BAR

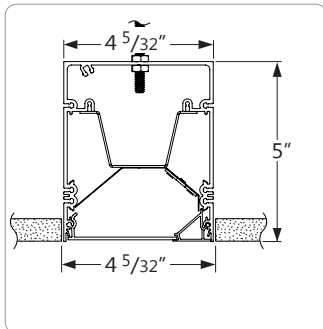


TG15 15/16" TEGULAR

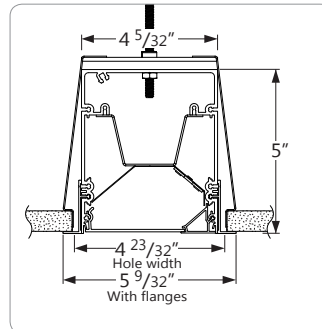


TG9 9/16" T-TEGULAR

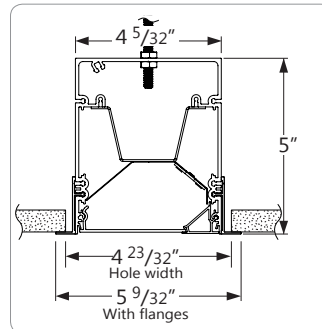
● DRYWALL CEILING MOUNTING OPTIONS



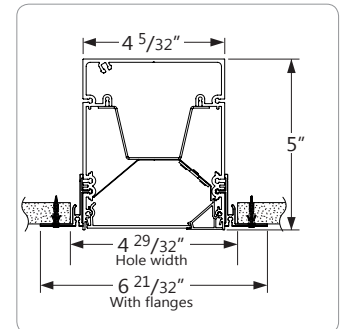
D FLANGELESS WITH 1/4-20 STUD MOUNTING



DB VISIBLE FLANGES WITH SLIP-THROUGH BRACKET



DF VISIBLE FLANGES WITH 1/4-20 STUD MOUNTING



DS SPACKLE FLANGES

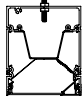
● OTHER MOUNTING OPTIONS

BEAM 4 LED is also available with pendant, surface, wall and recessed wall mounted options.

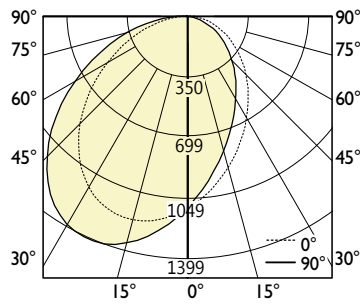
i Specification sheets and installation sheets for all mountings for BEAM luminaires are available for download at www.axislighting.com

● PHOTOMETRIC DATA

500 lm/ft
With ASO lens



PHOTOMETRIC CURVE



Luminaire Lumens: 500 lm/ft
Input Watts: 20.6 W
Efficacy: 97 lm/W

IES FILE: BBRLED-500-80-35-ASO-4.IES

TESTED ACCORDING TO IES LM-63-2002

CANDELA DISTRIBUTION

Vertical Angle	Horizontal Angles				
	0	22.5	45	67.5	90
0	744	744	744	744	744
5	678	683	697	718	743
15	546	558	593	649	719
25	429	444	489	563	664
35	333	347	391	469	579
45	254	266	303	372	474
55	185	194	223	277	358
65	123	129	149	185	243
75	67	71	82	102	135
85	19	20	24	33	47
90	0	0	0	4	12

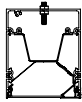
ZONAL LUMENS

Zone	Lumens
0	
0-10	70
10-20	201
20-30	303
30-40	359
40-50	359
50-60	310
60-70	227
70-80	130
80-90	40
90	

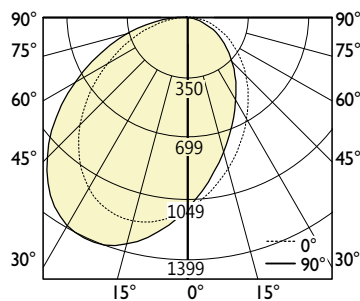
LUMINANCE DATA (cd/m²)

Vertical Angle	Horizontal Angles		
	0	45	90
45	4274	5099	7976
55	3838	4626	7427
65	3463	4195	6842
75	3080	3770	6206
85	2594	3276	6417

750 lm/ft
With ASO lens



PHOTOMETRIC CURVE



Luminaire Lumens: 750 lm/ft
Input Watts: 28.4 W
Efficacy: 96 lm/W

IES FILE: BBRLED-750-80-35-ASO-4.IES

TESTED ACCORDING TO IES LM-63-2002

CANDELA DISTRIBUTION

Vertical Angle	Horizontal Angles				
	0	22.5	45	67.5	90
0	1016	1016	1016	1016	1016
5	926	934	951	981	1016
15	747	764	811	885	981
25	587	609	668	768	905
35	457	476	535	640	791
45	348	365	415	507	647
55	254	267	305	377	489
65	170	178	204	253	331
75	94	97	112	140	185
85	26	28	34	45	64
90	1	1	1	6	17

ZONAL LUMENS

Zone	Lumens
0	
0-10	96
10-20	275
20-30	414
30-40	490
40-50	491
50-60	425
60-70	311
70-80	178
80-90	56
90	

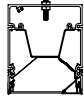
LUMINANCE DATA (cd/m²)

Vertical Angle	Horizontal Angles		
	0	45	90
45	5856	6983	10888
55	5269	6327	10145
65	4786	5744	9320
75	4321	5149	8505
85	3549	4642	8738

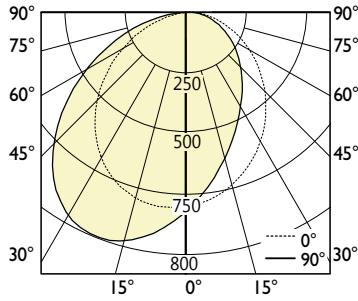
i All IES files for other lamping are available for download at: www.axislighting.com

● PHOTOMETRIC DATA

1000 lm/ft
With ASO lens



PHOTOMETRIC CURVE



Luminaire Lumens: 1000 lm/ft
Input Watts: 43.4 W
Efficacy: 93 lm/W
IES FILE: BBRLED-1000-80-35-ASO-4.IES

TESTED ACCORDING TO IES LM-63-2002

CANDELA DISTRIBUTION

Vertical Angle	Horizontal Angles				
	0	22.5	45	67.5	90
0	1502	1502	1502	1502	1502
5	1373	1377	1407	1449	1502
15	1106	1128	1200	1310	1453
25	869	897	988	1139	1342
35	675	702	792	947	1173
45	514	537	613	752	960
55	375	392	451	559	725
65	250	261	301	375	492
75	137	143	165	207	274
85	38	41	50	67	97
90	1	1	1	9	25

ZONAL LUMENS

Zone	Lumens
0	
0-10	142
10-20	406
20-30	612
30-40	723
40-50	725
50-60	626
60-70	459
70-80	263
80-90	82
90	

LUMINANCE DATA (cd/m²)

Vertical Angle	Horizontal Angles		
	0	45	90
45	8649	10316	16155
55	7779	9356	15041
65	7039	8475	13853
75	6298	7586	12597
85	5188	6826	13243