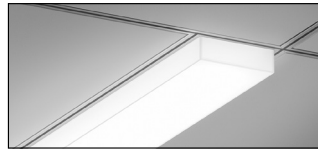
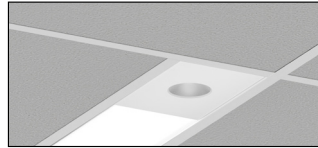


Shielding option



StepLens option



Downlight insert

Project _____

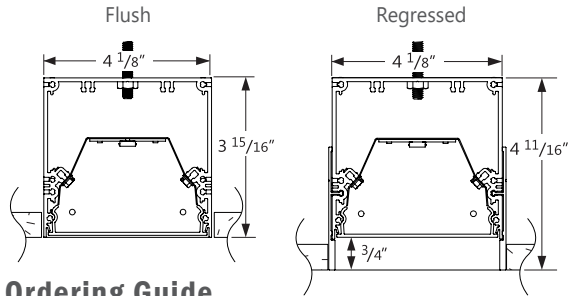
Type _____

Notes _____

PERFORMANCE PER LINEAR FOOT AT 4000K

NOMINAL LUMEN OUTPUT	INPUT WATTS*	EFFICACY
400 lm/ft	3.6 W/ft	110 lm/W
500 lm/ft	4.6 W/ft	109 lm/W
750 lm/ft	7.0 W/ft	106 lm/W
1000 lm/ft	9.6 W/ft	104 lm/W

* Based on a 4 foot luminaire using one driver
Please consult factory for custom lumen output and wattage.



*Check the latest update on the DLC website for complete information. Not all versions may be DLC qualified. See page 2 for DLC Approved options



cULus Listed Type I.C.



CONTROL SENSORS

Ordering Guide

BBRLED	PRODUCT ID	NOM. LUMENS/FT	CRI	COLOR TEMP.	SHIELDING	LENGTH
BBRLED	Recessed LED	400 400 lm/ft - Minimum 1000 1000 lm/ft - Maximum	80 80 CRI 90 90 CRI	27 2700 K 30 3000 K 35 3500 K 40 4000 K	FL flush RG regressed 1.5M 1.5" StepLens, lum. end cap ⁽¹⁾ 1.5P 1.5" StepLens, opaque end cap ⁽¹⁾	2 2' 3 3' 4 4' 5 5' 6 6' 8 8' 12 12' S# system run
		Outputs between listed min and max are available. Consult factory for outputs outside of the listed range.		Consult Axitune spec sheet for Axis color technology options		All lens options use spotless lens ⁽¹⁾ See page 2-3 for more details

LED DOWNLIGHT INSERT	FINISH	VOLTAGE	DRIVER	CIRCUITS	MOUNTING
CB21225(#) Fixed LED 1-3/4" dia 1250lm 25deg ⁽²⁾	W white	120 120 V	DP dimming (0-10V) 1%	1 1 circuit	TB9 t-bar 9/16"
CB21234(#) Fixed LED 1-3/4" dia 1250lm 34deg ⁽²⁾	C custom	277 277 V	LT Lutron ⁽⁵⁾	2 2 circuits	TB15 t-bar 15/16"
CB21246(#) Fixed LED 1-3/4" dia 1250lm 46deg ⁽²⁾		347 347 V	BI bi-level dimming	+E(#) emergency circuit ⁽⁷⁾	ST screw slot t-bar
CB20925(#) Fixed LED 1-3/4" dia 900lm 25deg ⁽²⁾		UNV universal	O other ⁽⁶⁾	+NL(#) night light circuit ⁽⁷⁾	TG9 regular 9/16"
CB20934(#) Fixed LED 1-3/4" dia 900lm 34deg ⁽²⁾				+GTD(#) generator transfer device ⁽⁷⁾	TG15 regular 15/16"
CB20946(#) Fixed LED 1-3/4" dia 900lm 46deg ⁽²⁾				+LDI LED downlight insert	DF drywall flange
M16(#) Adj. MR16 halogen lamp (by others) ⁽³⁾					D drywall flangeless
M16LED(#) Adj. MR16 LED lamp (provided) ⁽³⁾ *					DB slip-through bracket
M16LEDB(#) Adj. MR16 LED lamp - Dimmable (provided) ⁽⁴⁾ *					DS drywall spackle flange
					TX tx Hunter Douglas techstyle ⁽⁸⁾
(2) Available in 3000K. Consult factory for other CCT's; see page 4		(5) Specify system		(7) Specify quantity	
(3) Specify quantity. Separate circuits included; 25° adjustability		(6) Please consult factory; see page 2		(8) TX available with flush lens only	
(4) Consult factory. See page 6 for more details. MR16 constant current for 0-10V & DALI only		Consult Axitune spec sheet for Axis color driver options			
Requires 120V or 277V; See page 5 for more details					
* Available in 2700K or 3000K.					

BATTERY (OPTIONAL)	OTHER (OPTIONAL)	IC CONTROLS (OPTIONAL)	CUSTOM (OPTIONAL)
B# battery pack 4' sections	F fuse ⁽⁹⁾ EF end feed FW(#) flex whip (6' std) CP Chicago plenum HD hold down clip ⁽¹⁰⁾	DS# daylight sensor OS# occupancy sensor DOS# daylight & occupancy sensor EN# Enlighted integral ⁽¹¹⁾ ENR# Enlighted remote ⁽¹²⁾ WC# wireless control dimming	C custom
Not available with 347V Please consult factory	(9) Requires 120V or 277V (10) Only available for t-bar mounting	(11) For flush and regressed option only; Please consult factory (12) Please consult factory Specify quantity. Requires 8" blank. For StepLens use remote sensors only See integrated controls guide for more details.	Please specify

● SPECIFICATIONS

CONSTRUCTION

Housing	Extruded aluminum (0.075" nominal) Up to 70% recycled content
Interior Brackets	Die formed sheet steel (18 gauge)
Reflectors	White powder coated sheet steel (22 gauge)
Blank	Extruded aluminum (0.075" nominal)
Lens	Spotless frosted acrylic lens
T-Bar Bracket	Die formed sheet steel (16 gauge)
Screw Slot T-Bar Bracket	Die formed sheet steel (16 gauge)
Slip-Through Bracket	Die formed sheet steel (18 gauge)
Spackle Flange	Die formed perforated sheet steel (20 gauge)
Flange	Extruded aluminum (0.075" nominal) Visible flange width: 9/16"

● ELECTRICAL

Lutron driver*	LDE1 - EcoSystem H-Series (1%) LDE5 - EcoSystem 5-Series (5%) LTE - Hi-Lume® A-series 2Wires Forward Phase (1%) *Consult factory
Other drivers	DALI - Digital Addressable Lighting Interface DMX - Digital Multiplex LV - line voltage - Advance Mark 10 Xitanium SR - For wireless sensor
Emergency	Integral emergency battery pack or emergency circuit optional.
Input Voltage	120V, 277V, 347V, UNV.

i Incorporating these components may have limitations or affect the length of the luminaire. Please contact factory for more details.

● SYSTEM (S#)

BEAM 4 LED linear systems, with the use of a strong profile, allow for a nearly hair thin connection system of continuous runs. Lengths of 4', 8', 12' as well as custom lengths are available. Runs of BEAM 4 LED that are greater than 12ft in length are designated as systems (S#). This means that the run is comprised of a combination of 4', 8' and/or 12' sections to be assembled on site using our joining system. For more information on systems and joining, please refer to the BEAM 4 LED installation sheets available for download at www.axislighting.com.

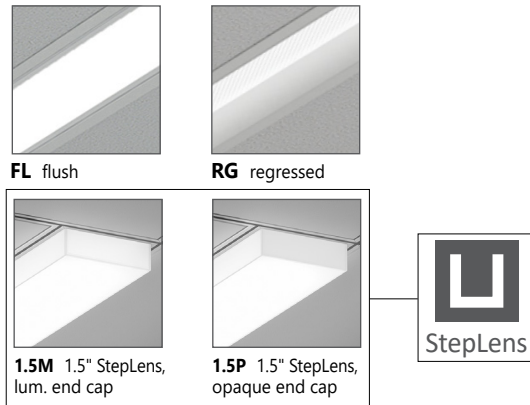
● DLC Approved Options



*Check the latest update on the DLC website for complete information. Not all versions may be DLC qualified.

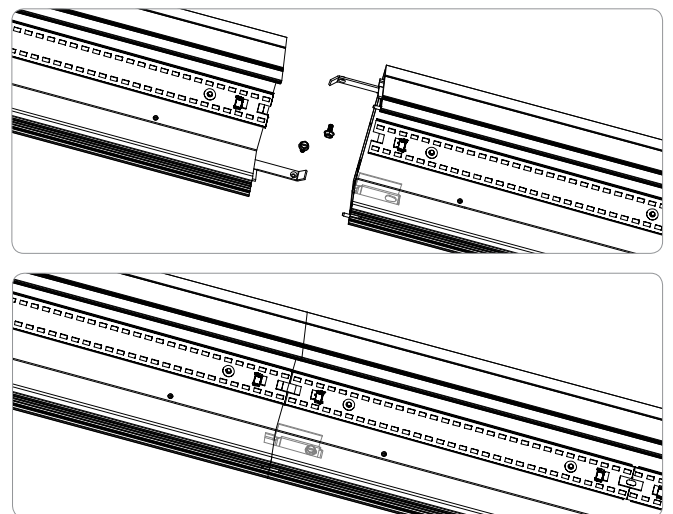
OUTPUT	CRI	COLOR TEMP.	SHIELDING	LENGTH	FINISH	VOLTAGE	DRIVER	CIRCUITS
400 lm/ft	80	3000 K	FL	4'	white	universal	DP	any except
650 lm/ft		3500 K		5'				LDI and M
850 lm/ft		4000 K		6'				
				7'				
				8'				
				9'				
				10'				
				11'				
				12'				

● SHIELDING - Frosted acrylic Spotless lens



● JOINERS

In order to allow very long runs of BEAM 4 LED luminaires, Axis has developed a number of different joining systems. Special care has been taken to maximize the performance of the joiner for each BEAM 4 LED option.



JOINDER SYSTEM

NOTE: Hang each system segment individually. Do not assemble system prior to hanging.

● FINISHES

Powder coated and custom finishes are also available.

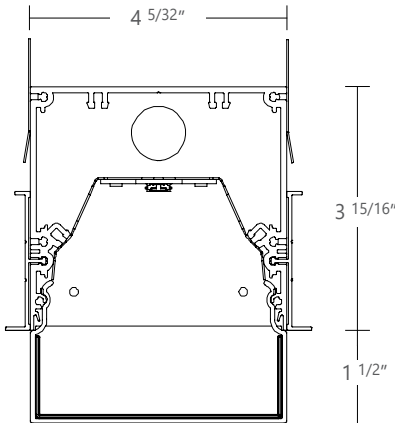
● WEIGHT

Recessed LED 4 ft	14.5 lbs / 6.6 kg
Recessed LED 8 ft	29.0 lbs / 13.2 kg
Recessed LED 12 ft	43.5 lbs / 19.7 kg

● APPROVALS

Certified to UL and CSA standards Meets NYC requirements Meets CCEC requirements (Chicago plenum) Suitable for damp locations IC Rated (Insulated ceiling)

● STEP LENS OPTION



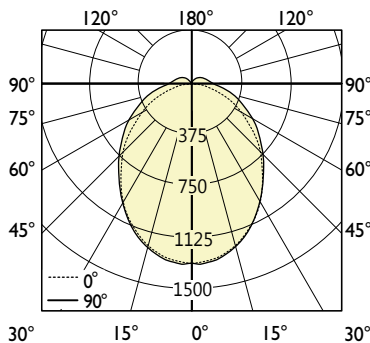
PERFORMANCE

LUMENS	WATTS	EFFICACY
950 lm/ft	8.47 W/ft	112 lm/W

950 lm/ft with 1.5" StepLens



PHOTOMETRIC CURVE



Total Lumens: 3783 lm (for 4ft)
Input Watts: 33.9 W
Efficacy: 112 lm/W

IES FILE: BBRLED-950-80-35-1.5M-4-W
 TESTED ACCORDING TO IES LM-79-2008

CANDELA DISTRIBUTION

Vertical Angle	Horizontal Angles				
	0	22.5	45	67.5	90
0	1293	1293	1293	1293	1293
5	1279	1285	1283	1290	1295
15	1207	1219	1219	1217	1221
25	1071	1083	1081	1078	1079
35	893	907	908	904	902
45	700	722	732	737	737
55	514	543	567	582	586
65	341	378	415	442	448
75	186	233	280	311	317
85	64	115	168	199	205
90	24	73	125	155	161
95	20	64	111	138	143
105	15	49	90	111	116
115	11	33	70	91	95
125	8	21	52	70	75
135	5	11	32	49	54
145	3	2	18	28	31
155	2	1	3	11	14
165	0	0	0	0	0
175	0	0	0	0	0
180	0	0	0	0	0

ZONAL LUMENS

Zone	Lumens
0	
0-10	122
10-20	343
20-30	497
30-40	566
40-50	562
50-60	502
60-70	404
70-80	285
80-90	170
90-100	108
100-110	83
110-120	62
120-130	42
130-140	24
140-150	11
150-160	3
160-170	0
180	

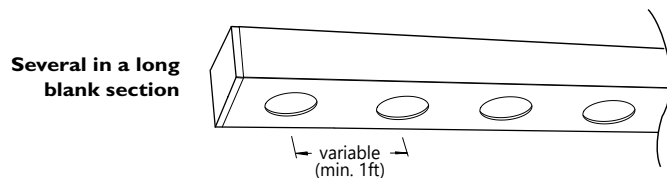
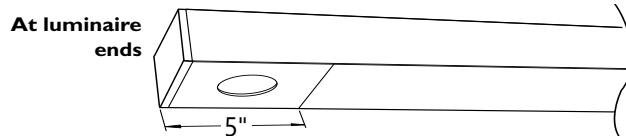
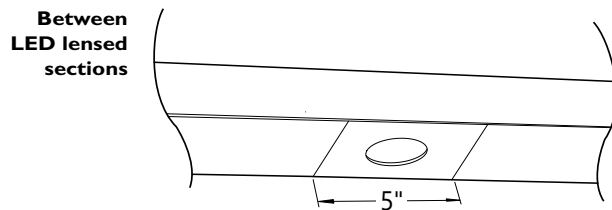
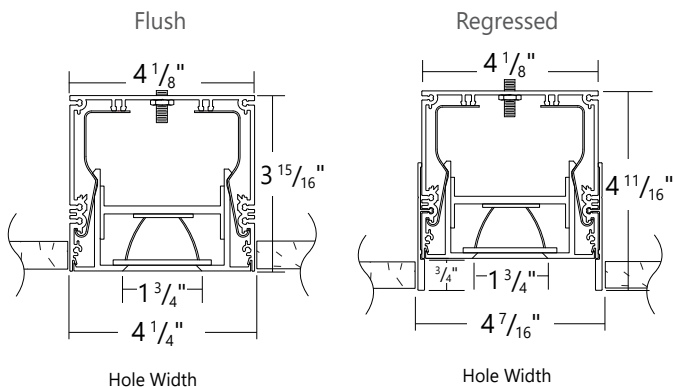
LUMINANCE DATA (cd/m²)

Vertical Angle	Horizontal Angles		
	0	45	90
45	7731	6456	6084
55	6904	5619	5332
65	6078	4861	4700
75	5160	4164	4072
85	4296	3569	3534

i All IES files are available for download at: www.axislighting.com

● LED DOWNLIGHT INSERT

Blank Extruded aluminum (0.075" nominal)
CB2 1-3/4" diameter fixed, 900 or 1250 lumen, 25°, 34°, 46°; 3000K, R9=70, CRI=90, 3 Macadam Ellipse
Quantity Allow minimum 1ft distance between multiple units.



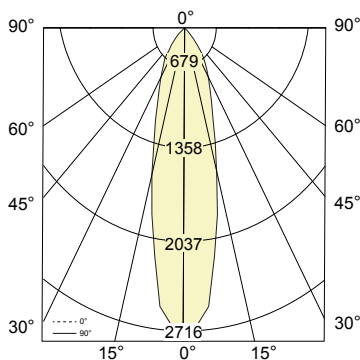
PERFORMANCE

	LUMENS	WATTS	EFFICACY
CB209	950	12.9 W/ft	73 lm/W
CB212	1270	17.8 W/ft	71 lm/W

● PHOTOMETRIC DATA FOR LED DOWNLIGHT INSERT

CB20925#
Fixed LED 1-3/4" diameter 900lm
25deg

PHOTOMETRIC CURVE



ACTUAL LUMEN: 929 lm
INPUT WATTS: 13 W
EFFICACY: 72 lm/W
CRI: 90

IES FILE: CB20925.ies

CANDELA DISTRIBUTION

Vertical Angle	Horizontal Angles					Zonal Lumens
	0	22.5	45	67.5	90	
0	2716	2716	2716	2716	2716	16
5	2498	2498	2498	2498	2498	119
15	1059	1059	1059	1059	1059	150
25	510	510	510	510	510	118
35	251	251	251	251	251	79
45	28	28	28	28	28	11
55	0	0	0	0	0	0
65	0	0	0	0	0	0
75	0	0	0	0	0	0
85	0	0	0	0	0	0
90	1	1	1	1	1	0

CB21225#

Fixed LED 1-3/4" diameter 1250lm 25deg

ACTUAL LUMEN: 1273 lm
INPUT WATTS: 18 W
EFFICACY: 72 lm/W
CRI: 90

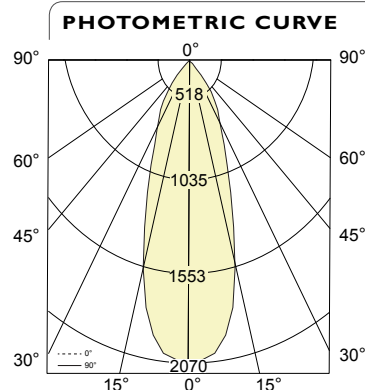
IES FILE: CB21225.ies

i All IES files are available for download at: www.axislighting.com

● PHOTOMETRIC DATA FOR LED DOWNLIGHT INSERT

CB20934#

Fixed LED 1-3/4" diameter 900lm 34deg



ACTUAL LUMEN: 943 lm
INPUT WATTS: 13 W
EFFICACY: 73 lm/W
CRI: 90

IES FILE: CB20934.ies

CANDELA DISTRIBUTION

Vertical Angle	Horizontal Angles					Zonal Lumens
	0	22.5	45	67.5	90	
0	2070	2070	2070	2070	2070	12
5	2012	2012	2012	2012	2012	96
15	1181	1181	1181	1181	1181	168
25	522	522	522	522	522	121
35	259	259	259	259	259	81
45	28	28	28	28	28	11
55	0	0	0	0	0	0
65	0	0	0	0	0	0
75	0	0	0	0	0	0
85	0	0	0	0	0	0
90	0	0	0	0	0	0

CB21234#

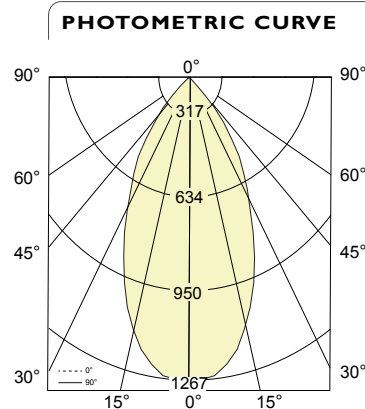
Fixed LED 1-3/4" diameter 1250lm 34deg

ACTUAL LUMEN: 1292 lm
INPUT WATTS: 18 W
EFFICACY: 73 lm/W
CRI: 90

IES FILE: CB21234.ies

CB20946#

Fixed LED 1-3/4" diameter 900lm 46deg



ACTUAL LUMEN: 914 lm
INPUT WATTS: 13 W
EFFICACY: 71 lm/W
CRI: 90

IES FILE: CB20946.ies

CANDELA DISTRIBUTION

Vertical Angle	Horizontal Angles					Zonal Lumens
	0	22.5	45	67.5	90	
0	1267	1267	1267	1267	1267	8
5	1250	1250	1250	1250	1250	60
15	993	993	993	993	993	141
25	608	608	608	608	608	141
35	317	317	317	317	317	100
45	49	49	49	49	49	19
55	3	3	3	3	3	1
65	0	0	0	0	0	0
75	0	0	0	0	0	0
85	0	0	0	0	0	0
90	0	0	0	0	0	0

CB21246#

Fixed LED 1-3/4" diameter 1250lm 46deg

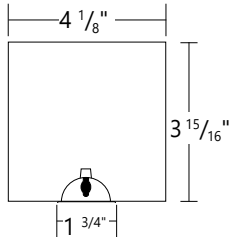
ACTUAL LUMEN: 1252 lm
INPUT WATTS: 18 W
EFFICACY: 71 lm/W
CRI: 90

IES FILE: CB21246.ies

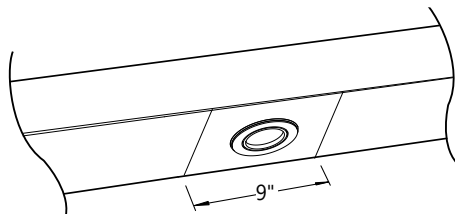
i All IES files are available for download at: www.axislighting.com

● MR16 LED LAMPS

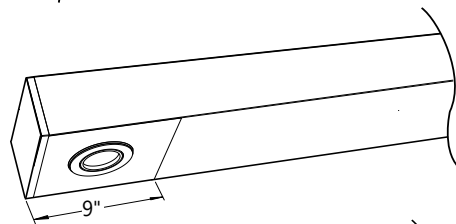
Blank	Extruded aluminum (0.075" nominal)
MR16 Halogens	Adjustable halogen lamp 35W / 50W (by others)
MR16 LED	Adjustable LED lamp (provided)
Quantity	For every 4' section, there may be up to a maximum of 4 x MR16 LED lamps.
Spacing	Each MR16 is placed centered on a blank section 9" in length. Within a given section length, a series of downlights will be spaced evenly on a longer blank section. Custom spacing available on special request.



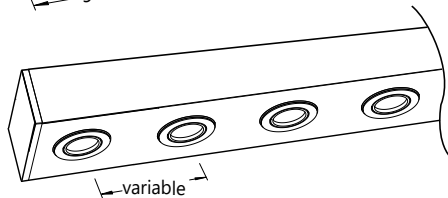
Between sections



At luminaire ends



Several in a long blank section

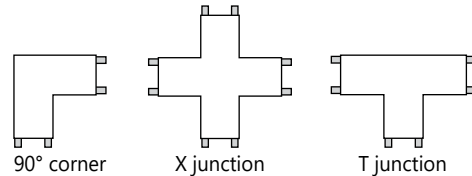
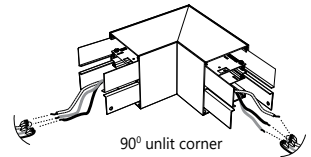


Base Type	GU 5.3
Beam Angle	40 nominal degrees
Input Watts	6W
Nominal Lumens	300 lumens
Efficacy	50 lumens per watt
Color Rendering Index (CRI)	85
Center Beam Candle Power (CBCP)	584 candelas
Life	25,000 hours at L ₇₀
Correlated color temperature (CCT)	2700K, 3000K
Adjustability	25° tilt

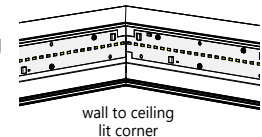
i More options are available upon request. Please consult factory.

● CORNERS

Unlit Corners - BEAM 4 LED features a multitude of layout patterns with the use of a number of corners, 90° corner, T or X junctions.



Lit Corners - Axis also offers lit 90° corners including ceiling to ceiling, wall to ceiling and ceiling to wall.



i For custom corner angles, please consult factory. Specifications sheets for all corners are available at: www.axislighting.com

*For StepLens please consult factory.

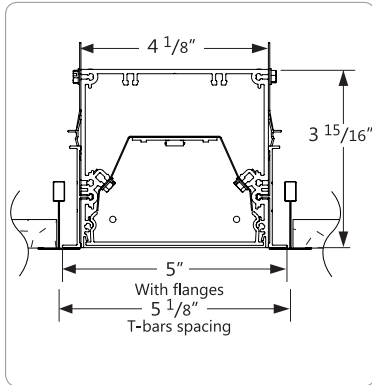
● WARRANTY

Axis Lighting will warrant defective LEDs, boards, and drivers for 5 years from date of purchase. Warranty is valid if luminaire is installed and used according to specifications. If defective, Axis will send replacement boards or drivers at no cost along with detailed replacement instructions and instructions on how to return defective components to Axis.

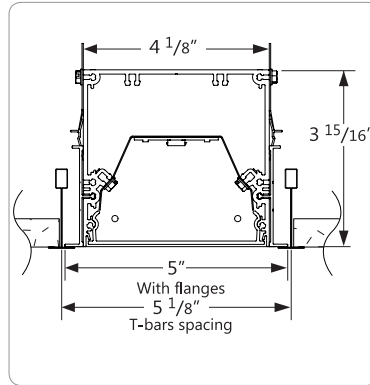
● LED SYSTEM

CRI	Minimum 80 or 90 color rendering index
CCT	Choice of 2700K, 3000K, 3500K and 4000K color temperature with a great color consistency (within 3.5-step MacAdam ellipse).
LED life	Minimum 50,000h with 70% of lumen maintenance in 25°C ambient temperature, in compliance with IES LM-80 testing measurements.
Thermal management	Aluminium housing acting as the heat sink to maximize life.

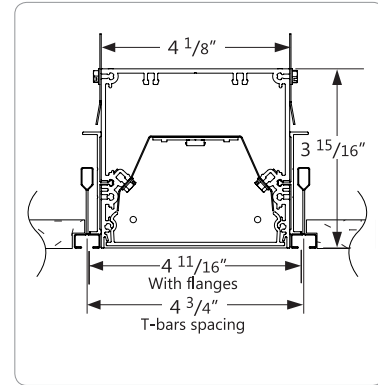
● TB CEILING MOUNTING OPTIONS



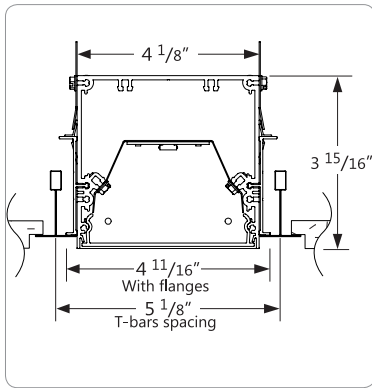
TB15 15/16" T-BAR



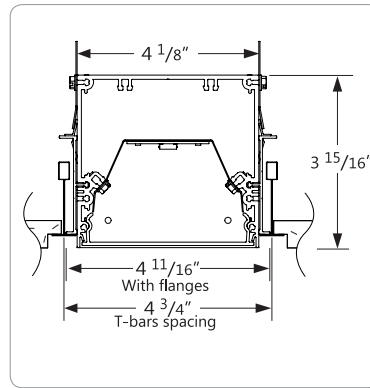
TB9 9/16" T-BAR



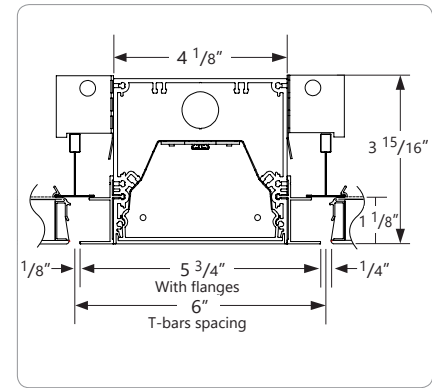
ST SCREW SLOT T-BAR



TG15 15/16" TEGULAR

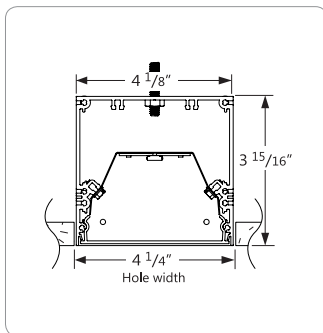


TG9 9/16" T-TEGULAR

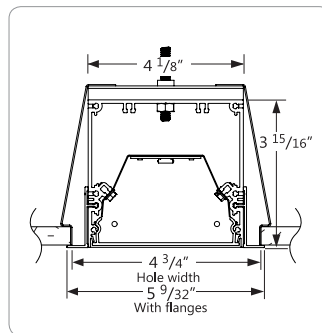


TX TX HUNTER DOUGLAS TECHSTYLE

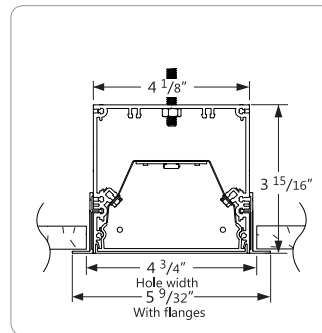
● DRYWALL CEILING MOUNTING OPTIONS



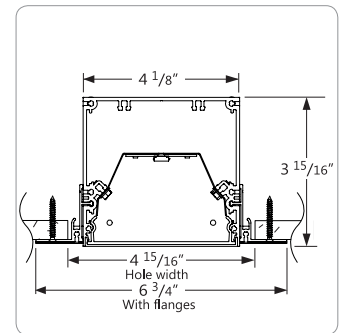
D FLANGELESS WITH 1/4-20 STUD MOUNTING



DB VISIBLE FLANGES WITH SLIP-THROUGH BRACKET



DF VISIBLE FLANGES WITH 1/4-20 STUD MOUNTING



DS SPACKLE FLANGES

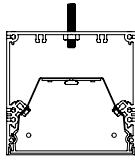
● OTHER MOUNTING OPTIONS

BEAM 4 LED is also available with pendant, surface, wall and recessed wall mounted options.

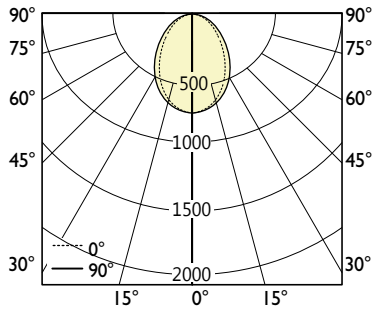
i Specification sheets and installation sheets for all mountings for BEAM 4 LED luminaires are available for download at www.axislighting.com

PHOTOMETRIC DATA

400 lm/ft



PHOTOMETRIC CURVE



Luminaire Lumens: 400 lm/ft
Input Watts: 3.6 W/ft
Efficacy: 110 lm/W

IES FILE: BBRLED-400-80-35-SO.IES
 TESTED ACCORDING TO IES LM-79-2008

CANDELA DISTRIBUTION

Vertical Angle	Horizontal Angles				
	0	22.5	45	67.5	90
0	708	708	708	708	708
5	701	704	701	704	706
15	663	665	659	655	657
25	591	589	578	567	565
35	495	489	472	455	450
45	385	380	361	343	337
55	278	272	256	241	235
65	178	174	163	154	150
75	91	90	85	81	79
85	23	23	21	21	21
90	0	0	0	0	0

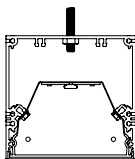
ZONAL LUMENS

Zone	Lumens
0	
0-10	67
10-20	186
20-30	266
30-40	295
40-50	279
50-60	230
60-70	163
70-80	91
80-90	25
90	

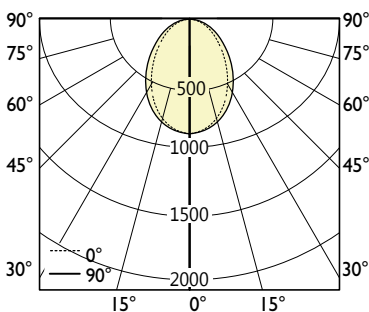
LUMINANCE DATA (cd/m²)

Vertical Angle	Horizontal Angles		
	0	45	90
45	4530	4241	3962
55	4028	3710	3412
65	3504	3213	2958
75	2918	2731	2530
85	2177	2049	1964

500 lm/ft



PHOTOMETRIC CURVE



Luminaire Lumens: 500 lm/ft
Input Watts: 4.6 W/ft
Efficacy: 109 lm/W

IES FILE: BBRLED-500-80-35-SO.IES
 TESTED ACCORDING TO IES LM-79-2008

CANDELA DISTRIBUTION

Vertical Angle	Horizontal Angles				
	0	22.5	45	67.5	90
0	885	885	885	885	885
5	877	879	876	879	882
15	829	831	823	819	821
25	739	736	722	709	707
35	618	611	590	569	562
45	482	474	451	429	421
55	347	340	320	302	294
65	223	218	204	192	188
75	114	112	106	101	98
85	29	29	27	26	26
90	0	0	0	1	0

ZONAL LUMENS

Zone	Lumens
0	
0-10	83
10-20	232
20-30	332
30-40	369
40-50	348
50-60	287
60-70	204
70-80	113
80-90	31
90	

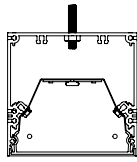
LUMINANCE DATA (cd/m²)

Vertical Angle	Horizontal Angles		
	0	45	90
45	5663	5301	4953
55	5035	4638	4265
65	4380	4017	3698
75	3648	3414	3163
85	2721	2561	2455

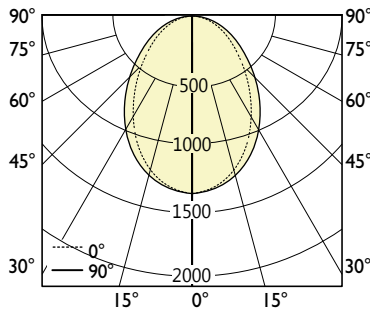
i All IES files are available for download at: www.axislighting.com

PHOTOMETRIC DATA

750 lm/ft



PHOTOMETRIC CURVE



Luminaire Lumens: 750 lm/ft
Input Watts: 7 W/ft
Efficacy: 106 lm/W

IES FILE: BBRLED-750-80-35-SO.IES
 TESTED ACCORDING TO IES LM-79-2008

CANDELA DISTRIBUTION

Vertical Angle	Horizontal Angles				
	0	22.5	45	67.5	90
0	1328	1328	1328	1328	1328
5	1315	1319	1314	1319	1323
15	1244	1247	1235	1229	1231
25	1109	1104	1083	1064	1060
35	927	916	884	853	843
45	723	712	676	644	632
55	521	510	480	452	441
65	334	326	306	289	282
75	170	168	159	152	148
85	43	43	40	39	39
90	0	0	0	1	0

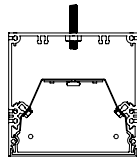
ZONAL LUMENS

Zone	Lumens
0	
0-10	125
10-20	348
20-30	498
30-40	553
40-50	523
50-60	431
60-70	306
70-80	170
80-90	47
90	

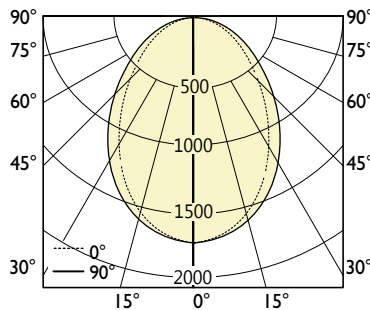
LUMINANCE DATA (cd/m²)

Vertical Angle	Horizontal Angles		
	0	45	90
45	8494	7952	7429
55	7553	6957	6397
65	6570	6025	5546
75	5472	5121	4744
85	4082	3842	3682

1000 lm/ft



PHOTOMETRIC CURVE



Luminaire Lumens: 1000 lm/ft
Input Watts: 9.6 W/ft
Efficacy: 104 lm/W

IES FILE: BBRLED-1000-80-35-SO.IES
 TESTED ACCORDING TO IES LM-79-2008

CANDELA DISTRIBUTION

Vertical Angle	Horizontal Angles				
	0	22.5	45	67.5	90
0	1770	1770	1770	1770	1770
5	1753	1759	1752	1759	1764
15	1658	1663	1647	1638	1641
25	1478	1472	1444	1419	1413
35	1236	1222	1179	1138	1124
45	963	949	902	858	843
55	695	680	640	603	589
65	445	435	408	385	376
75	227	224	213	203	197
85	57	57	54	53	51
90	0	0	0	1	0

ZONAL LUMENS

Zone	Lumens
0	
0-10	166
10-20	464
20-30	664
30-40	737
40-50	697
50-60	575
60-70	407
70-80	227
80-90	62
90	

LUMINANCE DATA (cd/m²)

Vertical Angle	Horizontal Angles		
	0	45	90
45	11326	10602	9905
55	10070	9276	8530
65	8760	8033	7395
75	7295	6828	6325
85	5443	5123	4909

i All IES files are available for download at: www.axislighting.com