

Project _____

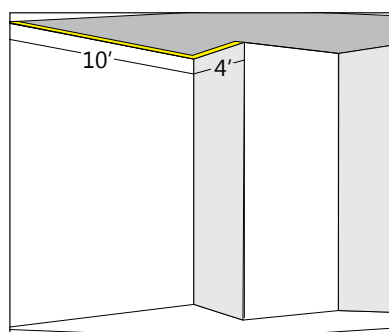
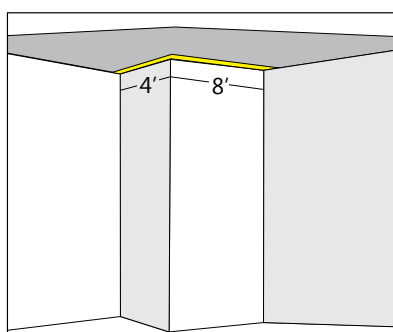
Type _____

Notes _____

PERFORMANCE PER LINEAR FOOT AT 4000K

NOMINAL LUMEN OUTPUT	INPUT WATTS*	EFFICACY
400 lm/ft	3.6 W/ft	110 lm/W
500 lm/ft	4.6 W/ft	109 lm/W
750 lm/ft	7.0 W/ft	106 lm/W
1000 lm/ft	9.6 W/ft	104 lm/W

* Based on a 4 foot luminaire using one driver
Please consult factory for custom lumen output and wattage.



PRODUCT ID	LINEAR OR CORNER QTY	TOTAL LENGTH
BBPRLD	OPRO (1)	12'

PRODUCT ID	LINEAR OR CORNER QTY	TOTAL LENGTH
BBPRLD	OPRI (1)	14'

3D VIEW - Outside Corner Pattern

3D VIEW - Inside Corner Pattern

Ordering Guide

BBPRLD		CORNER QUANTITY (OPTIONAL)		NOM. LUMENS/FT		CRI		COLOR TEMP.		SHIELDING	
PRODUCT ID	Perimeter	OPRO(#)	open shape recessed outside lit corner	300	300 lm/ft - Minimum	80	80 CRI	27	2700 K	FL	flush
	Recessed LED	+OPRI(#)	open shape recessed inside lit corner	1000	1000 lm/ft - Maximum	90	90 CRI	30	3000 K	RG2	recessed 2"
								35	3500 K	RG3	recessed 3"
								40	4000 K	RG4	recessed 4"

Outputs between listed min and max are available. Consult factory for outputs outside of the listed range.

TOTAL LENGTH	FINISH	VOLTAGE		DRIVER		CIRCUITS		MOUNTING		TYPE (OPTIONAL)	
# total length	W white C custom	120	120 V	DP	dimming (0-10V) 1%	1	1 circuit	TB9	t-bar 9/16"	TS(#)	telescopic sections
		277	277 V	LT	Lutron ⁽¹⁾	2	2 circuits	TB15	t-bar 15/16"		
		347	347 V	BI	bi-level dimming	+E(#)	emergency circuit ⁽³⁾	ST	screw slot t-bar		
		UNV	universal	O	other ⁽²⁾	+NL(#)	night light circuit ⁽³⁾	TG9	tegular 9/16"		
						+GTD(#)	generator transfer device ⁽³⁾	TG15	tegular 15/16"		
								DF	drywall flange		
								DS	drywall spackle flange		

Min total length 2'

(1) Specify system
(2) Please consult factory; see page 2
(3) Specify quantity

Telescopic section is minimum 4'. Recommended for longer runs or if exact perimeter length is not available.

BATTERY (OPTIONAL)	OTHER (OPTIONAL)	CUSTOM (OPTIONAL)
B# battery pack 4' sections	F fuse ⁽⁴⁾ EF end feed FW(#) flex whip (6' std) CP Chicago plenum	C custom

Not available with 347V
Please consult factory

(4) Requires 120V or 277V

Please specify



● SPECIFICATIONS

CONSTRUCTION


Housing	Extruded aluminum (0.075" nominal) Up to 70% recycled content
Interior Brackets	Die formed sheet steel (18 gauge)
Reflectors	White powder coated sheet steel (22 gauge)
Blank	Extruded aluminum (0.075" nominal)
Lens	Spotless frosted acrylic lens
T-Bar Bracket	Die formed sheet steel (16 gauge)
Screw Slot T-Bar Bracket	Die formed sheet steel (16 gauge)
Spackle Flange	Extruded aluminum (0.070")
All Flanges	Extruded aluminum (0.070" nominal)

● ELECTRICAL

Lutron driver*	LDE1 - EcoSystem H-Series (1%) LDE5 - EcoSystem 5-Series (5%) LTE - Hi-Lume® A-series 2Wires Forward Phase (1%) <small>*Consult factory</small>
Other drivers	DALI - Digital Addressable Lighting Interface DMX - Digital Multiplex LV - line voltage - Advance Mark 10 Xitanium SR - For wireless sensor
Emergency	Integral emergency battery pack or emergency circuit optional.
Input Voltage	120V, 277V, 347V, UNV.

i Incorporating these components may have limitations or affect the length of the luminaire. Please contact factory for more details.

● APPROVALS

Certified to UL and CSA standards 
Meets CCEC requirements (Chicago plenum)
Meets NYC requirements
Suitable for damp locations
IC Rated (Insulated ceiling)

● WEIGHT

Perimeter LED 4 ft	14.5 lbs / 6.6 kg
Perimeter LED 8 ft	29.0 lbs / 13.2 kg
Perimeter LED 12 ft	43.5 lbs / 19.7 kg

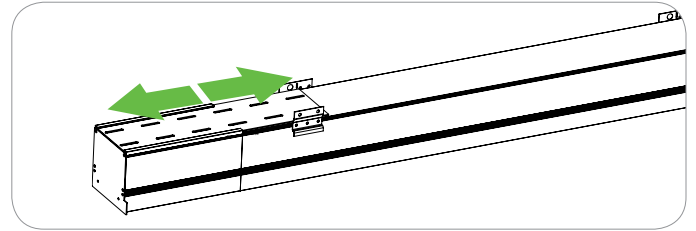
● Options

OUTPUT	CRI	COLOR TEMP.	SHIELDING	LENGTH	FINISH	VOLTAGE	DRIVER
400 lm/ft	80	3000 K	FL	2'	white	universal	DP
650 lm/ft		3500 K	RG2	3'			
850 lm/ft		4000 K	RG3	4'			
			RG4	5'			
				6'			
				8'			
				12'			

● 8" TELESCOPIC ADJUSTMENT

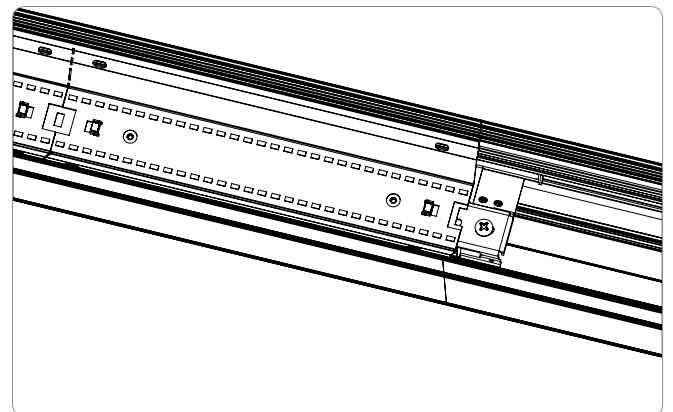
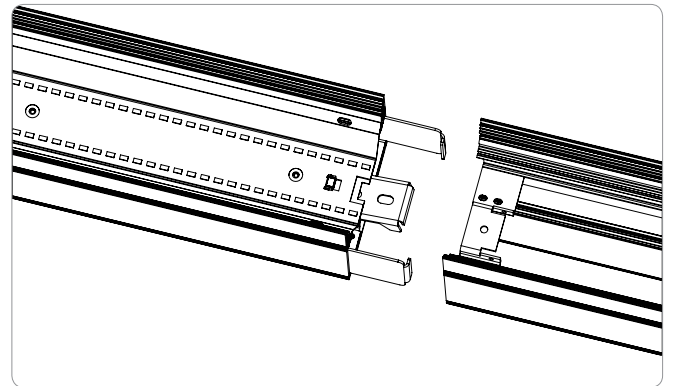
Beam4 LED Perimeter system feature a patented telescopic sliding LED board design that allows runs to be field cut to facilitate installation and specification.

NOTE: Miter saw with aluminum cutting blade required on site for telescopic adjustments.



● JOINERS

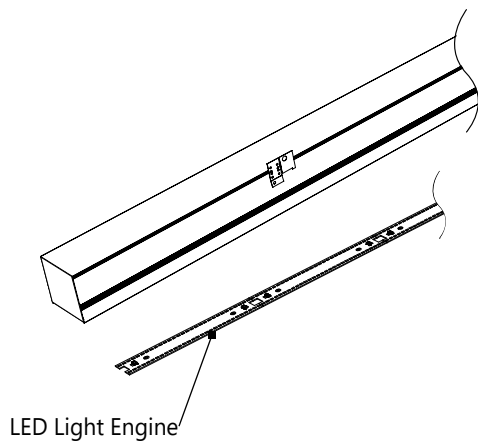
BEAM4 Perimeter LED has steel joiners with wedge alignment for easy installation.



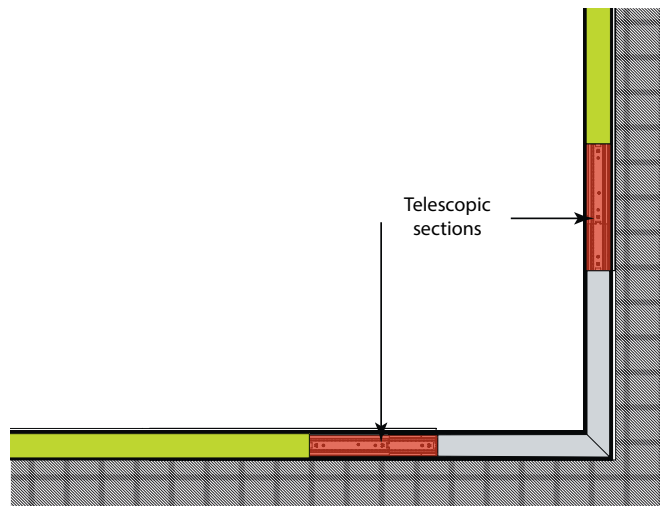
JOINER SYSTEM

● LED SYSTEM

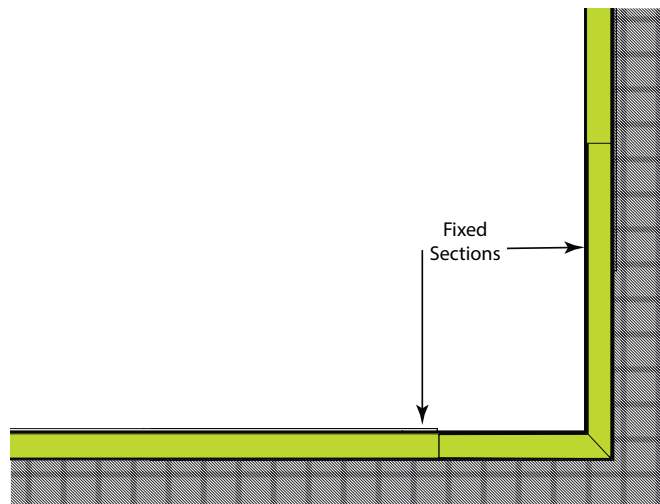
CRI	Minimum 80 or 90 color rendering index.
CCT	Choice of 2700K, 3000K, 3500K and 4000K color temperature with a great color consistency (within 3-step MacAdam ellipse). Both within fixture and fixture to fixture.
LED life	Minimum 50,000h with 85% of lumen maintenance in 25°C ambient temperature, in compliance with IES LM-80 testing measurements.
Thermal Management	Aluminum housing acting as the heat sink to maximize life.
Environment	Dry and damp rated in operating ambient temperatures of 0-40°C (32-104F).



● SECTION QUANTITY

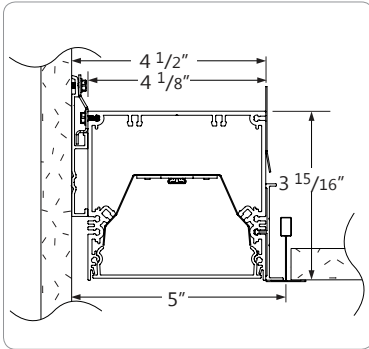


TS TELESCOPIC SECTIONS

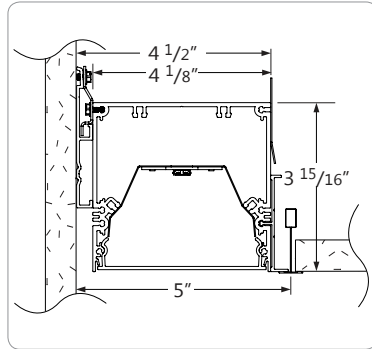


FS FIXED SECTIONS

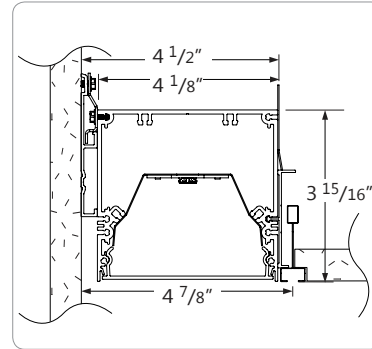
● TB CEILING MOUNTING OPTIONS



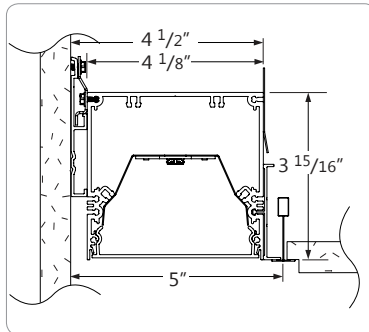
TB15 15/16" T-BAR



TB9 9/16" T-BAR

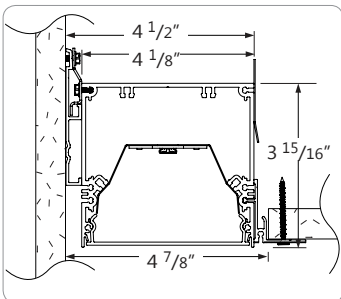


ST SCREW SLOT T-BAR

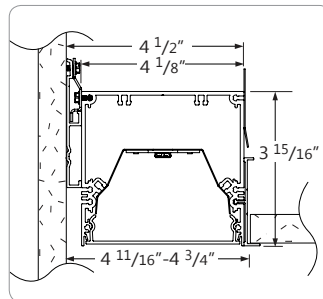


TG9 9/16" T-TEGULAR

● DRYWALL CEILING MOUNTING OPTIONS

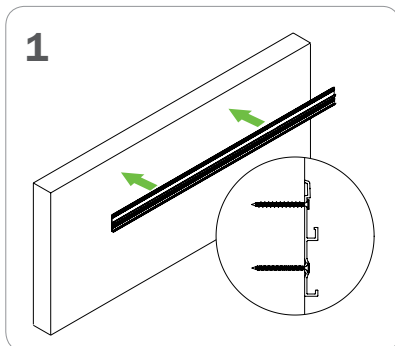


DS SPACKLE FLANGES

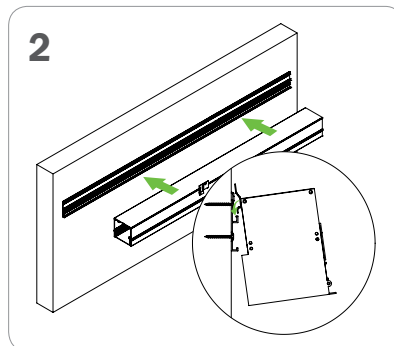


DF VISIBLE FLANGES
WALL MOUNTING

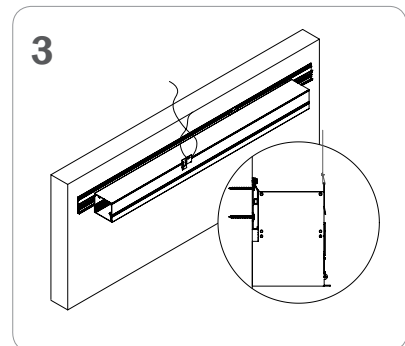
● INSTALLATION GUIDE



1
Install wall track level and secure to structure at small grooves in extrusion.



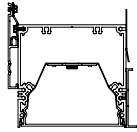
2
Hook beam Perimeter luminaire onto wall track.



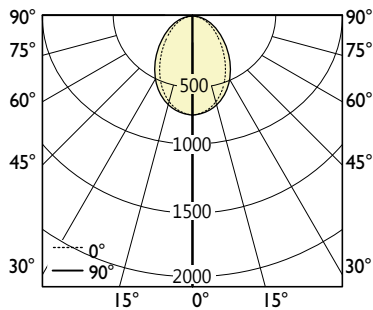
3
Secure to wall track, secure to structure.

● PHOTOMETRIC DATA

400 lm/ft



PHOTOMETRIC CURVE



Luminaire Lumens: 400 lm/ft
Input Watts: 3.6 W/ft
Efficacy: 110 lm/W

IES FILE: BBPRLED-400-80-35.IES
 TESTED ACCORDING TO IES LM-79-2008

CANDELA DISTRIBUTION

Vertical Angle	Horizontal Angles				
	0	22.5	45	67.5	90
0	708	708	708	708	708
5	701	704	701	704	706
15	663	665	659	655	657
25	591	589	578	567	565
35	495	489	472	455	450
45	385	380	361	343	337
55	278	272	256	241	235
65	178	174	163	154	150
75	91	90	85	81	79
85	23	23	21	21	21
90	0	0	0	0	0

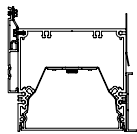
ZONAL LUMENS

Zone	Lumens
0	
0-10	67
10-20	186
20-30	266
30-40	295
40-50	279
50-60	230
60-70	163
70-80	91
80-90	25
90	

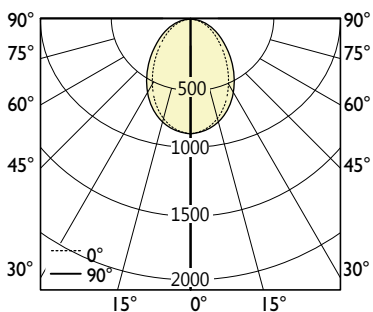
LUMINANCE DATA (cd/m²)

Vertical Angle	Horizontal Angles		
	0	45	90
45	4530	4241	3962
55	4028	3710	3412
65	3504	3213	2958
75	2918	2731	2530
85	2177	2049	1964

500 lm/ft



PHOTOMETRIC CURVE



Luminaire Lumens: 500 lm/ft
Input Watts: 4.6 W/ft
Efficacy: 109 lm/W

IES FILE: BBPRLED-500-80-35.IES
 TESTED ACCORDING TO IES LM-79-2008

CANDELA DISTRIBUTION

Vertical Angle	Horizontal Angles				
	0	22.5	45	67.5	90
0	885	885	885	885	885
5	877	879	876	879	882
15	829	831	823	819	821
25	739	736	722	709	707
35	618	611	590	569	562
45	482	474	451	429	421
55	347	340	320	302	294
65	223	218	204	192	188
75	114	112	106	101	98
85	29	29	27	26	26
90	0	0	0	0	0

ZONAL LUMENS

Zone	Lumens
0	
0-10	83
10-20	232
20-30	332
30-40	369
40-50	348
50-60	287
60-70	204
70-80	113
80-90	31
90	

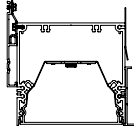
LUMINANCE DATA (cd/m²)

Vertical Angle	Horizontal Angles		
	0	45	90
45	5663	5301	4953
55	5035	4638	4265
65	4380	4017	3698
75	3648	3414	3163
85	2721	2561	2455

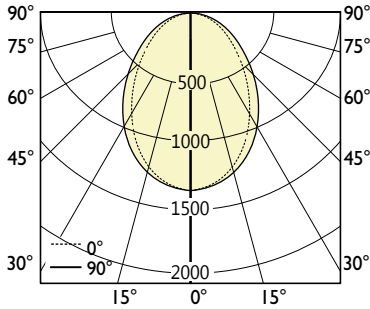
i All IES files are available for download at: www.axislighting.com

● PHOTOMETRIC DATA

750 lm/ft



PHOTOMETRIC CURVE



Luminaire Lumens: 750 lm/ft
Input Watts: 7 W/ft
Efficacy: 106 lm/W

IES FILE: BBPRLD-750-80-35.IES
 TESTED ACCORDING TO IES LM-79-2008

CANDELA DISTRIBUTION

Vertical Angle	Horizontal Angles				
	0	22.5	45	67.5	90
0	1328	1328	1328	1328	1328
5	1315	1319	1314	1319	1323
15	1244	1247	1235	1229	1231
25	1109	1104	1083	1064	1060
35	927	916	884	853	843
45	723	712	676	644	632
55	521	510	480	452	441
65	334	326	306	289	282
75	170	168	159	152	148
85	43	43	40	39	39
90	0	0	0	1	0

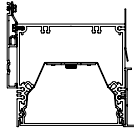
ZONAL LUMENS

Zone	Lumens
0	
0-10	125
10-20	348
20-30	498
30-40	553
40-50	523
50-60	431
60-70	306
70-80	170
80-90	47
90	

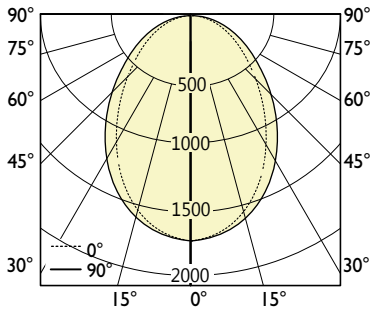
LUMINANCE DATA (cd/m²)

Vertical Angle	Horizontal Angles		
	0	45	90
45	8494	7952	7429
55	7553	6957	6397
65	6570	6025	5546
75	5472	5121	4744
85	4082	3842	3682

1000 lm/ft



PHOTOMETRIC CURVE



Luminaire Lumens: 1000 lm/ft
Input Watts: 9.6 W/ft
Efficacy: 104 lm/W

IES FILE: BBPRLD-1000-80-35.IES
 TESTED ACCORDING TO IES LM-79-2008

CANDELA DISTRIBUTION

Vertical Angle	Horizontal Angles				
	0	22.5	45	67.5	90
0	1770	1770	1770	1770	1770
5	1753	1759	1752	1759	1764
15	1658	1663	1647	1638	1641
25	1478	1472	1444	1419	1413
35	1236	1222	1179	1138	1124
45	963	949	902	858	843
55	695	680	640	603	589
65	445	435	408	385	376
75	227	224	213	203	197
85	57	57	54	53	51
90	0	0	0	1	0

ZONAL LUMENS

Zone	Lumens
0	
0-10	166
10-20	464
20-30	664
30-40	737
40-50	697
50-60	575
60-70	407
70-80	227
80-90	62
90	

LUMINANCE DATA (cd/m²)

Vertical Angle	Horizontal Angles		
	0	45	90
45	11326	10602	9905
55	10070	9276	8530
65	8760	8033	7395
75	7295	6828	6325
85	5443	5123	4909

i All IES files are available for download at: www.axislighting.com