

Project _____

Type _____

Notes _____

PERFORMANCE AT 3500K

NOMINAL LUMEN OUTPUT		TOTAL lm/ft	INPUT WATTS	EFFICACY
UP	DOWN			
1250 lm/ft	1000 lm/ft	2250 lm/ft	26 W/ft	87 lm/W
1000 lm/ft	1000 lm/ft	2000 lm/ft	23 W/ft	89 lm/W
1000 lm/ft	500 lm/ft	1500 lm/ft	17 W/ft	93 lm/W
750 lm/ft	1000 lm/ft	1750 lm/ft	19 W/ft	91 lm/W
750 lm/ft	500 lm/ft	1250 lm/ft	13 W/ft	96 lm/W
640 lm/ft	320 lm/ft	960 lm/ft	10 W/ft	96 lm/W

*REFER TO PHOTOMETRIC DATA SECTION FOR EXACT VALUES



Ordering Guide

BBLED2		SL		NOM. LUMENS/FT UP		NOM. LUMENS/FT DOWN		CRI		COLOR TEMP.	
PRODUCT ID		LIGHT ENGINE									
BBLED2 Pendant LED		SL SurroundLite		1250	1250 lm/ft - Maximum	1000	1000 lm/ft - Maximum	80	80 CRI	27	2700 K
				640	640 lm/ft - Minimum	320	320 lm/ft - Minimum	90	90 CRI	30	3000 K
										35	3500 K
										40	4000 K
Applies to UP only.				Outputs between listed min and max are available. Consult factory for outputs outside of the listed range.				Applies to both UP & DOWN.		Applies to both UP & DOWN.	

SO		SHIELDING DOWN		FIXTURE LENGTH (FT)		FINISH		VOLTAGE		DRIVER		CIRCUITS	
SO spotless lens				3 3'		AP aluminum paint		120 120 V		DP dimming (0-10V) 1%		1 1 circuit	
				4 4'		W white		277 277 V		LT Lutron (1)		2 2 circuits	
				6 6'		BLK black		347 347 V		BI bi-level dimming		+E(#) emergency section	
				8 8'		C custom		UNV universal		O other (2)		+NL(#) night light section	
				12 12'								+GTD(#) generator transfer device	
				S# system run									
										(1) Specify system			
										(2) Please consult factory; see page 2			

MOUNTING/SUSPENSION		BATTERY DOWN		OTHER		IC CONTROLS		CUSTOM	
CA(#) drywall+cable length (36" std.)		B# battery pack 4' sections		F fuse		DS# daylight sensor		C custom	
CT9(#) TB/TG 9/16+cable length (36" std.)						OS# occupancy sensor			
CT15(#) TB/TG15/16+cable length (36" std.)						DOS# daylight & occupancy sensor			
CTS(#) ST+cable length (36" std.)						EN# Enlighted integral (3)			
SA(#) drywall+stem length >48" (18" std.)						ENR# Enlighted remote (3)			
+SM seismic option						WC# wireless control dimming			
See Ceiling Mount Guide for more details		Not available with 347V Please consult factory				Applies to both UP & DOWN. (3) Please consult factory Specify quantity. Requires 8" blank. See integrated controls guide for more details.		Please specify	

● SURROUNDLITE TECHNOLOGY

BEAM4 LED with SurroundLite provides the flexibility of high efficacy spherical three dimensional wide batwing distributions and shielding options that all result in true lighting effectiveness. BEAM4 LED is only 5.5" depth with integral driver and a light guide with proper cutoff and no view of bugs or dust particles.

An innovative technology to get much more out of LEDs: Axis SurroundLite is based on the fundamental physics of how light interacts with matter. The specially engineered lightguide is made of precisely coded and aligned molecules that shape LED output in all three dimensions.

With SurroundLite extra-wide, multidimensional light distribution, light is directed in all three planes and sent in every corner of the room. SurroundLite brings the promise of balanced brightness, facilitating lighting design.

● SURROUNDLITE BENEFITS**Glare Mitigation**

Spotless lenses yield lower luminance on the luminaire's light-emitting area.

Reduced 'Cave Effect', Increased Perceived Brightness

Wide 3D batwing uplight distribution lights up corners. Lighting at seam between ceiling and wall. 3D light distribution from luminaire extremities lights up adjacent spaces and vertical planes.

Use of Fewer Luminaires

The 3D nature of light distribution is well suited to checkerboard patterns, reducing the need for continuous rows.

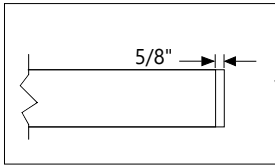
Better Facial Modeling / Facial Recognition

Reflected light from illuminated surfaces within the space results in soft fill light on the vertical plane.

No Streaks or Hot Spots of Light

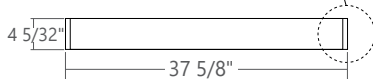
Axis SurroundLite technology spreads out light uniformly versus Lambertian distributions that put an intensity of light directly above and below the luminaire.

● **LENGTHS**

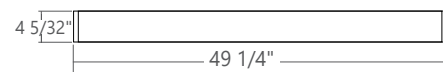


For all fixture lengths

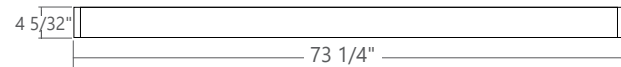
3ft



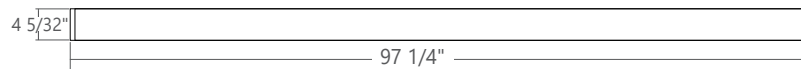
4ft



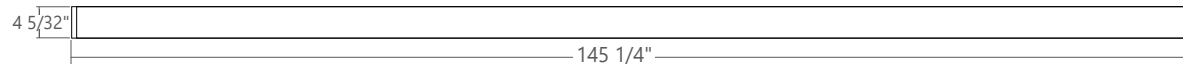
6ft



8ft continuous



12 ft continuous



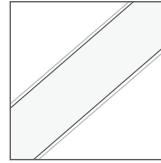
● **SYSTEMS (S#)**

Runs of BEAM4 SurroundLite that are greater than 12ft in length are designated as systems (S#). This means that the run is comprised of a combination 4ft and/or 8ft sections to be assembled on site using our joining system. For more information on systems and joining, please refer to the BEAM4 SurroundLite installation sheets available at: www.axislighting.com under 'Downloads' tab.

● **WEIGHT**

BEAM4 SurroundLite 3 ft	13.5lbs / 6.1kg
BEAM4 SurroundLite 4 ft	18lbs / 8.2kg
BEAM4 SurroundLite 6 ft	27lbs / 12.3kg
BEAM4 SurroundLite 8 ft	36lbs / 16.3kg
BEAM4 SurroundLite 12 ft	54lbs / 24.5kg

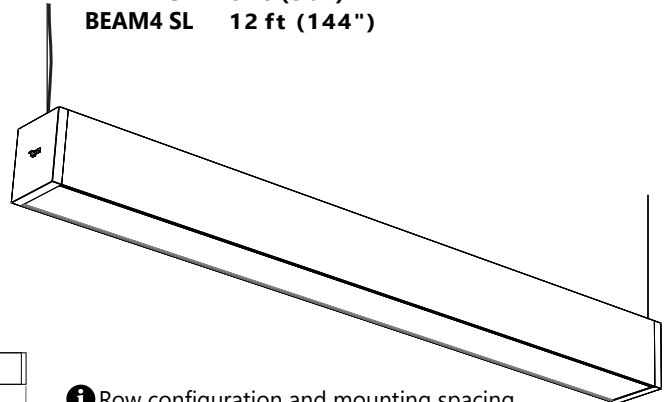
● **OPTICS**



SO Spotless lens

● **SUSPENSION / MOUNTING SPACING**

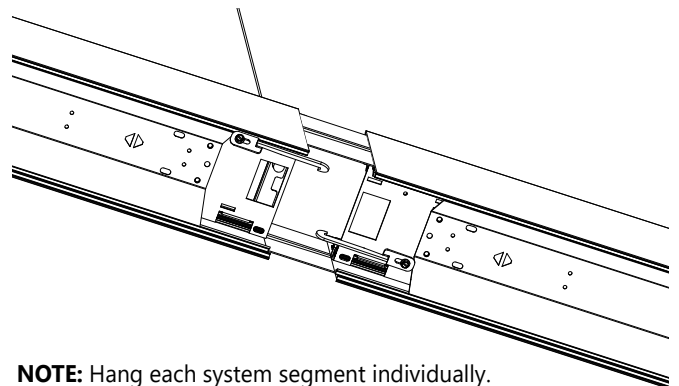
Distance Between Mounting Points:	Standard Suspension Length (Adjustable):
BEAM4 SL 3 ft (36 3/8")	CABLE: 36"
BEAM4 SL 4 ft (48")	STEM: 18"
BEAM4 SL 6 ft (72")	
BEAM4 SL 8 ft (96")	
BEAM4 SL 12 ft (144")	



i Row configuration and mounting spacing file is available at: www.axislighting.com under 'Downloads' tab.

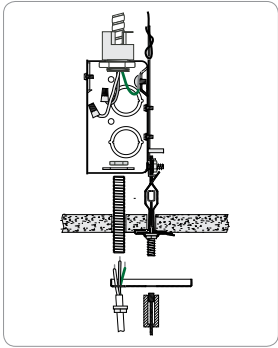
● **JOINERS**

In order to allow very long runs of BEAM4 SurroundLite luminaires, Axis has developed an effective joining system. Special care has been taken to maximize the performance of the joiner for each BEAM option.



NOTE: Hang each system segment individually. Do not assemble system prior to hanging.

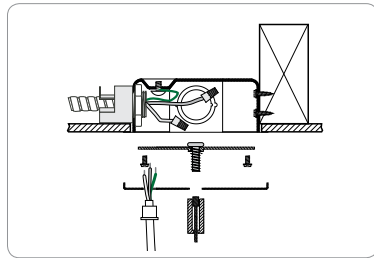
● **MOUNTING OPTIONS**



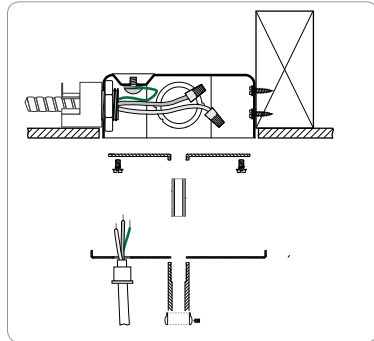
CT TILE CEILING - ON GRID

i Mounting options are also available for slope ceiling and seismic bracing.

Installation sheets for all mounting options are available at: www.axislighting.com under 'Downloads' tab.



CA DRYWALL CEILING



SA STEM MOUNT IN DRYWALL CEILING

● **CONSTRUCTION**

Housing	Extruded aluminum (0.075" nominal)
End Cap	Die cast zinc (0.60" nominal)
Interiors Brackets	Die formed sheet steel (18 gauge)
Reflectors	Specular reflective aluminum and White powder coated sheet steel (24 gauge)
Spotless Lens	Uniform frosted acrylic lens
Hanger	Die formed sheet steel (16 gauge)
Suspension	Aircraft cable or Ø 1/2" stem
Cable Grips	Quick connecting / release

● **WARRANTY**

Axis Lighting will warrant defective LEDs, boards, and drivers for 5 years from date of purchase. Warranty is valid if luminaire is installed and used according to specifications. If defective, Axis will send replacement boards or drivers at no cost along with detailed replacement instructions and instructions on how to return defective components to Axis.

● **FINISH**

Aluminum paint, powder coated and custom finishes are also available.

● **APPROVALS**

Certified to UL and CSA standards



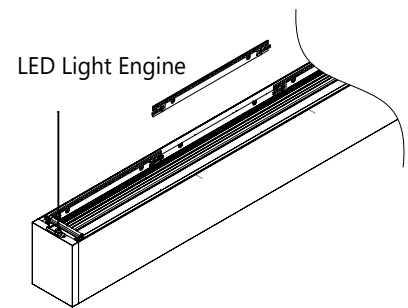
● **LED SYSTEM**

LED	Use of OptimaLED technology based on mid-flux LED
CRI	Minimum 80 or 90 color rendering index
CCT	Choice of 3000K, 3500K and 4000K color temperature with a great color consistency (within 3-step MacAdam ellipse). Both within fixture and fixture to fixture.
LED life	Minimum 50,000h with 85% of lumen maintenance in 25°C ambient temperature, in compliance with IES LM-80 testing measurements.
Thermal Management	Aluminum housing acting as the heat spreader to maximize life.
Environment	Dry and damp rated in operating ambient temperatures of 0-40°C (32-104F)

● **LED UPGRADE / REPLACEMENT**

All LED light engines used are field replaceable and upgradable to ensure the lighting system will last for years. Future-proof design comes with easy access to LED light engines from above using quick connectors (included in luminaire) and a screwdriver.

i For more information on LED light engine upgrade and replacement, please refer to the BEAM4 SurroundLite Light Engine Replacement sheet available at: www.axislighting.com under 'Downloads' tab.



● **ELECTRICAL**

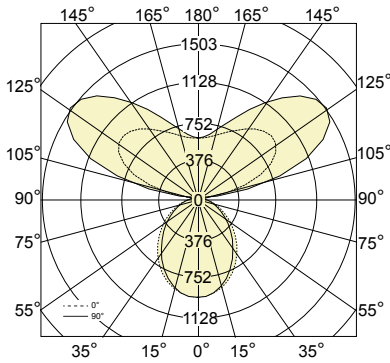
Controls ready	Dimming 0-10V driver
Lutron driver	LDE5 EcoSystem 5-Series, LTE Hi-Lume series A.
BI-Level driver	Bi-Level dimming
Other driver	Tunable output or specify
Emergency	Emergency battery pack or emergency circuit optional.
Input Voltage	120V, 277V, 347V, UNV (120 - 277V)
Power Factor	>0.9
Class	Class 2 output
Wire Connectors	Electrical connections are made with quick connectors.

● **PHOTOMETRIC DATA**

SPOTLESS LENS (SO)

BBLED2-SL-1250-500-80-35-SO
1250lm/ft up / 500lm/ft down

PHOTOMETRIC CURVE



Lumen/ft up: 1251 lm/ft
Lumen/ft down: 541 lm/ft
Total Lumens: 7168 lm (for 4ft)
Input Watts: 80 W
Efficacy: 90 lm/W

CRI:80 shown (for CRI:90 use 0.8 multiplier on watts and efficacy)
IES FILE: BBLED2-SL-1250-500-80-35-SO-4-W-120-D-1.IES

CANDELA DISTRIBUTION

Vertical Angle	Horizontal Angles				
	0	22.5	45	67.5	90
0	956	956	956	956	956
5	947	950	946	949	951
15	894	897	887	881	880
25	796	792	775	760	755
35	664	657	633	612	603
45	519	511	487	465	455
55	376	368	349	329	322
65	242	237	225	213	209
75	124	123	118	112	110
85	31	30	30	30	30
90	0	0	0	0	0
95	103	117	145	174	179
105	474	512	622	760	810
115	780	847	1019	1235	1324
125	920	993	1183	1409	1503
135	906	967	1125	1308	1383
145	807	848	951	1070	1117
155	697	721	773	833	854
165	617	625	648	671	678
175	577	582	584	589	589
180	577	577	577	577	577

ZONAL LUMENS

Zone	Lumens
0	
0-10	90
10-20	250
20-30	357
30-40	396
40-50	377
50-60	313
60-70	224
70-80	126
80-90	36
90	
90-100	181
100-110	662
110-120	1013
120-130	1063
130-140	875
140-150	604
150-160	362
160-170	186
170-180	57
180	

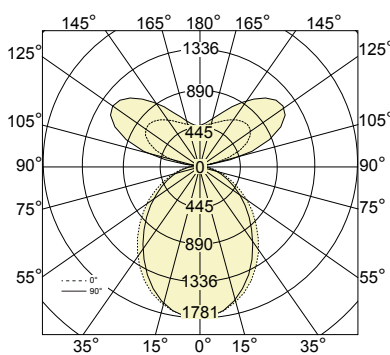
LUMINANCE DATA (cd/m²)

Vertical Angle	Horizontal Angles		
	0	45	90
45	6258	5869	5492
55	5593	5187	4794
65	4890	4535	4220
75	4089	3896	3638
85	3060	2964	2964

SPOTLESS LENS (SO)

BBLED2-SL-1000-1000-80-35-SO
1000lm/ft up / 1000lm/ft down

PHOTOMETRIC CURVE



Lumen/ft up: 1014 lm/ft
Lumen/ft down: 1006 lm/ft
Total Lumens: 8081 lm (for 4ft)
Input Watts: 91 W
Efficacy: 89 lm/W

CRI:80 shown (for CRI:90 use 0.8 multiplier on watts and efficacy)
IES FILE: BBLED2-SL-1000-1000-80-35-SO-4-W-120-D-1.IES

CANDELA DISTRIBUTION

Vertical Angle	Horizontal Angles				
	0	22.5	45	67.5	90
0	1781	1781	1781	1781	1781
5	1724	1728	1723	1723	1723
15	1584	1583	1557	1539	1532
25	1366	1353	1313	1277	1266
35	1102	1088	1040	1000	982
45	831	817	773	735	722
55	571	560	531	502	491
65	337	331	315	300	295
75	140	136	133	129	127
85	58	56	56	56	56
90	0	0	0	0	0
95	229	247	301	370	390
105	524	566	685	834	895
115	707	765	918	1106	1182
125	753	808	953	1124	1195
135	699	741	846	970	1018
145	607	634	695	767	795
155	530	541	569	600	611
165	480	484	493	503	504
175	467	472	473	477	477
180	467	467	467	467	467

ZONAL LUMENS

Zone	Lumens
0	
0-10	167
10-20	465
20-30	664
30-40	738
40-50	701
50-60	583
60-70	417
70-80	234
80-90	67
90	
90-100	147
100-110	537
110-120	822
120-130	861
130-140	710
140-150	489
150-160	294
160-170	151
170-180	46
180	

LUMINANCE DATA (cd/m²)

Vertical Angle	Horizontal Angles		
	0	45	90
45	11651	10927	10225
55	10414	9657	8926
65	9104	8444	7856
75	7613	7253	6774
85	5696	5518	5518

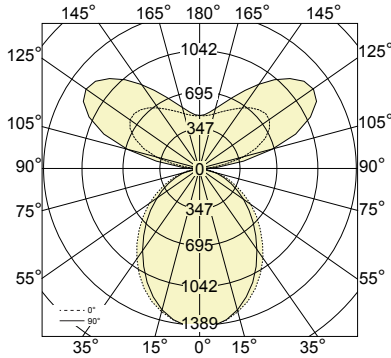
i All IES files are available for download at: www.axislighting.com

● **PHOTOMETRIC DATA**

SPOTLESS LENS (SO)

BBLED2-SL-1000-750-80-35-SO
1000lm/ft up / 750lm/ft down

PHOTOMETRIC CURVE



Lumen/ft up: 1014 lm/ft
Lumen/ft down: 785 lm/ft
Total Lumens: 7196 lm (for 4ft)
Input Watts: 78 W
Efficacy: 92 lm/W

CRI:80 shown (for CRI:90 use 0.8 multiplier on watts and efficacy)
IES FILE: BBLED2-SL-1000-750-80-35-SO-4-W-120-D-1.IES

CANDELA DISTRIBUTION

Vertical Angle	Horizontal Angles				
	0	22.5	45	67.5	90
0	1389	1389	1389	1389	1389
5	1345	1348	1344	1344	1344
15	1236	1235	1215	1200	1195
25	1066	1056	1025	996	988
35	860	849	812	780	766
45	648	637	603	573	563
55	446	437	414	392	383
65	263	258	245	234	230
75	109	106	104	101	99
85	45	44	44	44	44
90	0	0	0	0	0
95	229	247	301	370	390
105	524	566	685	834	895
115	707	765	918	1106	1182
125	753	808	953	1124	1195
135	699	741	846	970	1018
145	607	634	695	767	795
155	530	541	569	600	611
165	480	484	493	503	504
175	467	472	473	477	477
180	467	467	467	467	467

ZONAL LUMENS

Zone	Lumens
0	
0-10	130
10-20	363
20-30	518
30-40	576
40-50	547
50-60	455
60-70	325
70-80	183
80-90	52
90	
90-100	147
100-110	537
110-120	822
120-130	861
130-140	710
140-150	489
150-160	294
160-170	151
170-180	46
180	

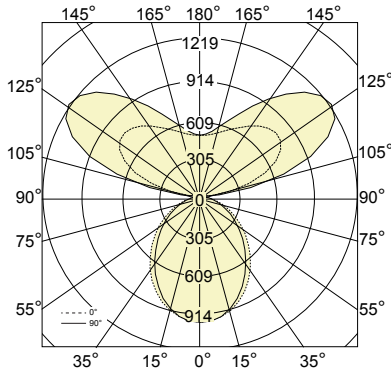
LUMINANCE DATA (cd/m²)

Vertical Angle	Horizontal Angles		
	0	45	90
45	9089	8524	7976
55	8124	7533	6963
65	7102	6587	6129
75	5939	5658	5284
85	4444	4305	4305

SPOTLESS LENS (SO)

BBLED2-SL-1000-500-80-35-SO
1000lm/ft up / 500lm/ft down

PHOTOMETRIC CURVE



Lumen/ft up: 1014 lm/ft
Lumen/ft down: 541 lm/ft
Total Lumens: 6219 lm (for 4ft)
Input Watts: 67 W
Efficacy: 93 lm/W

CRI:80 shown (for CRI:90 use 0.8 multiplier on watts and efficacy)
IES FILE: BBLED2-SL-1000-500-80-35-SO-4-W-120-D-1.IES

CANDELA DISTRIBUTION

Vertical Angle	Horizontal Angles				
	0	22.5	45	67.5	90
0	956	956	956	956	956
5	926	928	925	925	925
15	851	850	836	827	823
25	734	727	705	686	680
35	592	584	559	537	528
45	446	439	415	395	388
55	307	301	285	270	264
65	181	178	169	161	158
75	75	73	71	69	68
85	31	30	30	30	30
90	0	0	0	0	0
95	229	247	301	370	390
105	524	566	685	834	895
115	707	765	918	1106	1182
125	753	808	953	1124	1195
135	699	741	846	970	1018
145	607	634	695	767	795
155	530	541	569	600	611
165	480	484	493	503	504
175	467	472	473	477	477
180	467	467	467	467	467

ZONAL LUMENS

Zone	Lumens
0	
0-10	130
10-20	363
20-30	518
30-40	576
40-50	547
50-60	455
60-70	325
70-80	183
80-90	52
90	
90-100	181
100-110	662
110-120	1013
120-130	1063
130-140	875
140-150	604
150-160	362
160-170	186
170-180	57
180	

LUMINANCE DATA (cd/m²)

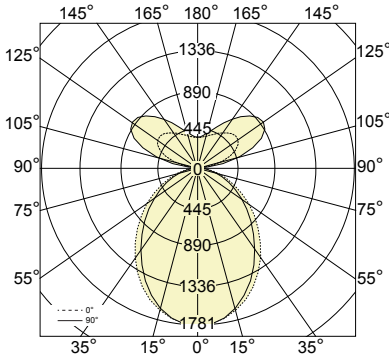
Vertical Angle	Horizontal Angles		
	0	45	90
45	6258	5869	5492
55	5593	5187	4794
65	4890	4535	4220
75	4089	3896	3638
85	3060	2964	2964

● **PHOTOMETRIC DATA**

SPOTLESS LENS (SO)

BBLED2-SL-750-1000-80-35-SO
750lm/ft up / 1000lm/ft down

PHOTOMETRIC CURVE



Lumen/ft up: 752 lm/ft
Lumen/ft down: 1006 lm/ft
Total Lumens: 7031 lm (for 4ft)
Input Watts: 78 W
Efficacy: 91 lm/W

CRI:80 shown (for CRI:90 use 0.8 multiplier on watts and efficacy)
IES FILE: BBLED2-SL-750-1000-80-35-SO-4-W-120-D-1.IES

CANDELA DISTRIBUTION

Vertical Angle	Horizontal Angles				
	0	22.5	45	67.5	90
0	1781	1781	1781	1781	1781
5	1724	1728	1723	1723	1723
15	1584	1583	1557	1539	1532
25	1366	1353	1313	1277	1266
35	1102	1088	1040	1000	982
45	831	817	773	735	722
55	571	560	531	502	491
65	337	331	315	300	295
75	140	136	133	129	127
85	58	56	56	56	56
90	0	0	0	0	0
95	169	183	223	274	289
105	388	419	507	618	663
115	524	567	680	819	876
125	558	598	706	833	885
135	518	549	627	719	754
145	450	470	515	568	589
155	392	401	422	445	453
165	356	359	365	372	373
175	346	349	350	354	354
180	346	346	346	346	346

ZONAL LUMENS

Zone	Lumens
0	
0-10	167
10-20	465
20-30	664
30-40	738
40-50	701
50-60	583
60-70	417
70-80	234
80-90	67
90	
90-100	109
100-110	397
110-120	609
120-130	638
130-140	526
140-150	362
150-160	218
160-170	112
170-180	34
180	

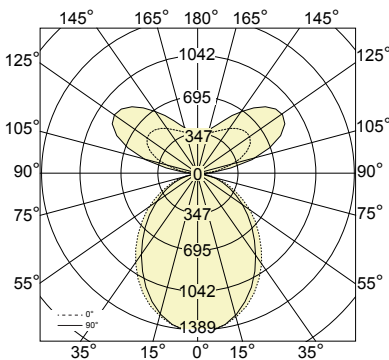
LUMINANCE DATA (cd/m²)

Vertical Angle	Horizontal Angles		
	0	45	90
45	11651	10927	10225
55	10414	9657	8926
65	9104	8444	7856
75	7613	7253	6774
85	5696	5518	5518

SPOTLESS LENS (SO)

BBLED2-SL-750-750-80-35-SO
750lm/ft up / 750lm/ft down

PHOTOMETRIC CURVE



Lumen/ft up: 752 lm/ft
Lumen/ft down: 785 lm/ft
Total Lumens: 6145 lm (for 4ft)
Input Watts: 65 W
Efficacy: 94 lm/W

CRI:80 shown (for CRI:90 use 0.8 multiplier on watts and efficacy)
IES FILE: BBLED2-SL-750-750-80-35-SO-4-W-120-D-1.IES

CANDELA DISTRIBUTION

Vertical Angle	Horizontal Angles				
	0	22.5	45	67.5	90
0	1389	1389	1389	1389	1389
5	1345	1348	1344	1344	1344
15	1236	1235	1215	1200	1195
25	1066	1056	1025	996	988
35	860	849	812	780	766
45	648	637	603	573	563
55	446	437	414	392	383
65	263	258	245	234	230
75	109	106	104	101	99
85	45	44	44	44	44
90	0	0	0	0	0
95	169	183	223	274	289
105	388	419	507	618	663
115	524	567	680	819	876
125	558	598	706	833	885
135	518	549	627	719	754
145	450	470	515	568	589
155	392	401	422	445	453
165	356	359	365	372	373
175	346	349	350	354	354
180	346	346	346	346	346

ZONAL LUMENS

Zone	Lumens
0	
0-10	130
10-20	363
20-30	518
30-40	576
40-50	547
50-60	455
60-70	325
70-80	183
80-90	52
90	
90-100	109
100-110	397
110-120	609
120-130	638
130-140	526
140-150	362
150-160	218
160-170	112
170-180	34
180	

LUMINANCE DATA (cd/m²)

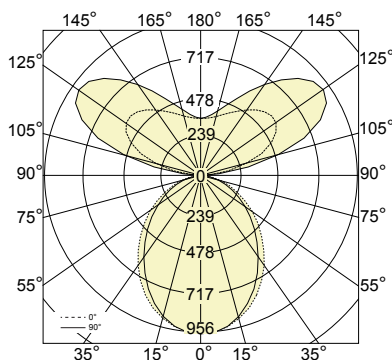
Vertical Angle	Horizontal Angles		
	0	45	90
45	9089	8524	7976
55	8124	7533	6963
65	7102	6587	6129
75	5939	5658	5284
85	4444	4305	4305

● PHOTOMETRIC DATA

SPOTLESS LENS (SO)

BBLED2-SL-750-500-80-35-SO
750lm/ft up / 500lm/ft down

PHOTOMETRIC CURVE



Lumen/ft up: 752 lm/ft
Lumen/ft down: 541 lm/ft
Total Lumens: 5169 lm (for 4ft)
Input Watts: 54 W
Efficacy: 96 lm/W

CRI:80 shown (for CRI:90 use 0.8 multiplier on watts and efficacy)
 IES FILE: BBLED2-SL-750-500-80-35-SO-4-W-120-D-1.IES

CANDELA DISTRIBUTION

Vertical Angle	Horizontal Angles				
	0	22.5	45	67.5	90
0	956	956	956	956	956
5	926	928	925	925	925
15	851	850	836	827	823
25	734	727	705	686	680
35	592	584	559	537	528
45	446	439	415	395	388
55	307	301	285	270	264
65	181	178	169	161	158
75	75	73	71	69	68
85	31	30	30	30	30
90	0	0	0	0	0
95	169	183	223	274	289
105	388	419	507	618	663
115	524	567	680	819	876
125	558	598	706	833	885
135	518	549	627	719	754
145	450	470	515	568	589
155	392	401	422	445	453
165	356	359	365	372	373
175	346	349	350	354	354
180	346	346	346	346	346

ZONAL LUMENS

Zone	Lumens
0	
0-10	90
10-20	250
20-30	357
30-40	396
40-50	377
50-60	313
60-70	224
70-80	126
80-90	36
90	
90-100	109
100-110	397
110-120	609
120-130	638
130-140	526
140-150	362
150-160	218
160-170	112
170-180	34
180	

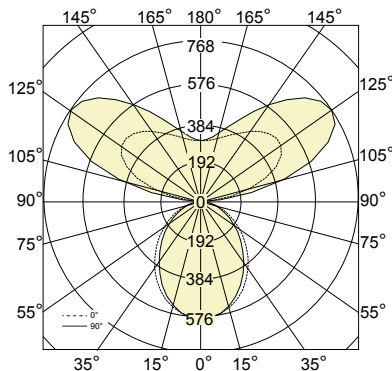
LUMINANCE DATA (cd/m²)

Vertical Angle	Horizontal Angles		
	0	45	90
45	6258	5869	5492
55	5593	5187	4794
65	4890	4535	4220
75	4089	3896	3638
85	3060	2964	2964

SPOTLESS LENS (SO)

BBLED2-SL-640-320-80-35-SO
640lm/ft up / 320lm/ft down

PHOTOMETRIC CURVE



Lumen/ft up: 640 lm/ft
Lumen/ft down: 320 lm/ft
Total Lumens: 3838 lm (for 4ft)
Input Watts: 40 W
Efficacy: 96 lm/W

CRI:80 shown (for CRI:90 use 0.8 multiplier on watts and efficacy)
 IES FILE: BBLED2-SL-640-320-80-35-SO-4-W-120-D-1.IES

CANDELA DISTRIBUTION

Vertical Angle	Horizontal Angles				
	0	22.5	45	67.5	90
0	565	565	565	565	565
5	560	561	559	561	562
15	529	530	524	521	520
25	471	468	458	449	446
35	393	388	374	362	356
45	307	302	288	275	269
55	222	218	206	195	191
65	143	140	133	126	124
75	73	73	70	66	65
85	18	18	18	18	18
90	0	0	0	0	0
95	53	60	74	89	92
105	242	262	318	388	414
115	399	433	521	631	676
125	470	507	604	720	768
135	463	494	575	668	707
145	412	433	486	547	571
155	356	369	395	425	436
165	315	320	331	343	346
175	295	297	298	301	301
180	295	295	295	295	295

ZONAL LUMENS

Zone	Lumens
0	
0-10	53
10-20	148
20-30	211
30-40	234
40-50	223
50-60	185
60-70	132
70-80	74
80-90	21
90	
90-100	93
100-110	338
110-120	518
120-130	543
130-140	447
140-150	308
150-160	185
160-170	95
170-180	29
180	

LUMINANCE DATA (cd/m²)

Vertical Angle	Horizontal Angles		
	0	45	90
45	3700	3470	3247
55	3307	3066	2834
65	2891	2681	2495
75	2417	2303	2151
85	1809	1752	1752