

**Project** \_\_\_\_\_

**Type** \_\_\_\_\_

**Notes** \_\_\_\_\_

**PERFORMANCE AT 3500K**

NOMINAL LUMEN OUTPUT	INPUT WATTS	EFFICACY
1250 lm/ft	56 W	89 lm/W
1000 lm/ft	45 W	90 lm/W
750 lm/ft	34 W	88 lm/W

\*REFER TO PHOTOMETRIC DATA SECTION FOR EXACT VALUES



**Ordering Guide**

BBILED2		SL		NOM. LUMENS/FT		CRI		COLOR TEMP.		NO		SHIELDING		FIXTURE LENGTH	
PRODUCT ID		LIGHT ENGINE UP													
<b>BBILED2</b>	Pendant LED	<b>SL</b>	surroundlite 100%up/0%down	<b>1250</b>	1250 lm/ft - Maximum	<b>80</b>	80 CRI	<b>27</b>	2700 K	<b>NO</b>	no shielding	<b>3</b> 3'			
				<b>750</b>	750 lm/ft - Minimum	<b>90</b>	90 CRI	<b>30</b>	3000 K			<b>4</b> 4'			
								<b>35</b>	3500 K			<b>6</b> 6'			
								<b>40</b>	4000 K			<b>8</b> 8'			
												<b>12</b> 12'			
												<b>S#</b> system run			

Outputs between listed min and max are available. Consult factory for outputs outside of the listed range.

FINISH		VOLTAGE		DRIVER		CIRCUITS		MOUNTING/SUSPENSION				
<b>AP</b>	aluminum paint	<b>120</b>	120 V	<b>DP</b>	dimming (0-10V) 1%	<b>1</b>	1 circuit	<b>CA(#)</b>	drywall+ cable length (36" std.)			
<b>W</b>	white	<b>277</b>	277 V	<b>LT</b>	Lutron (1)	<b>2</b>	2 circuits	<b>CT9(#)</b>	TB/TG 9/16+ cable length (36" std.)			
<b>BLK</b>	black	<b>347</b>	347 V	<b>BI</b>	bi-level dimming	<b>+E(#)</b>	emergency section	<b>CT15(#)</b>	TB/TG15/16+ cable length (36" std.)			
<b>C</b>	custom	<b>UNV</b>	universal	<b>O</b>	other (2)	<b>+NL(#)</b>	night light section	<b>CTS(#)</b>	ST+ cable length (36" std.)			
						<b>+GTD(#)</b>	generator transfer device	<b>SA(#)</b>	drywall+ stem length >48" (18" std.)			
								<b>+SM</b>	seismic option			

(1) Specify system  
(2) Please consult factory; see page 2

BATTERY		OTHER		IC CONTROLS		CUSTOM (OPTIONAL)	
<b>B#</b>	battery pack 4' sections	<b>F</b>	fuse	<b>DS#</b>	daylight sensor	<b>C</b>	custom
				<b>OS#</b>	occupancy sensor		
				<b>DOS#</b>	daylight & occupancy sensor		
				<b>EN#</b>	Enlighted integral (3)		
				<b>ENR#</b>	Enlighted remote (3)		
				<b>WC#</b>	wireless control dimming		

See Ceiling Mount Guide for more details  
Not available with 347V  
Please consult factory

(3) Please consult factory  
Specify quantity. Requires 8" blank.  
See integrated controls guide for more details.

Please specify

**● SURROUNDLITE TECHNOLOGY**

BEAM4 LED with SurroundLite provides the flexibility of high efficacy spherical three dimensional wide batwing distributions and shielding options that all result in true lighting effectiveness. BEAM4 LED is only 5.5" deep.

An innovative technology to get much more out of LEDs: Axis SurroundLite is based on the fundamental physics of how light interacts with matter. The specially engineered lightguide is made of precisely coded and aligned molecules that shape LED output in all three dimensions.

With SurroundLite extra-wide, multidimensional light distribution, light is directed in all three planes and sent in every corner of the room. SurroundLite brings the promise of balanced brightness, facilitating lighting design.

**● SURROUNDLITE BENEFITS****No Streaks or Hot Spots of Light**

Axis SurroundLite technology spreads out light uniformly versus Lambertian distributions that put an intensity of light directly above and below the luminaire.

**Reduced 'Cave Effect', Increased Perceived Brightness**

Wide 3D batwing uplight distribution lights up corners. Lighting at seam between ceiling and wall. 3D light distribution from luminaire extremities lights up adjacent spaces and vertical planes.

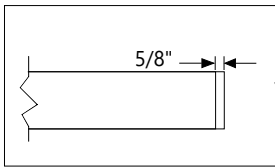
**Use of Fewer Luminaires**

The 3D nature of light distribution is well suited to checkerboard patterns, reducing the need for continuous rows.

**Better Facial Modeling / Facial Recognition**

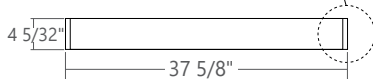
Reflected light from illuminated surfaces within the space results in soft fill light on the vertical plane.

### ● LENGTHS

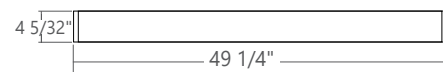


For all fixture lengths

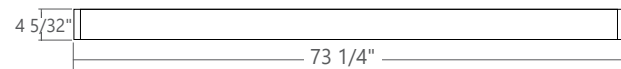
#### 3ft



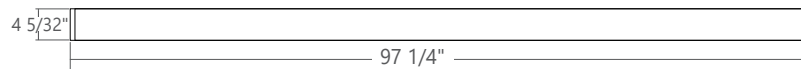
#### 4ft



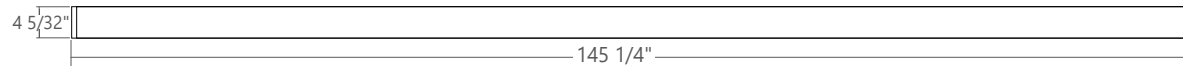
#### 6ft



#### 8ft continuous

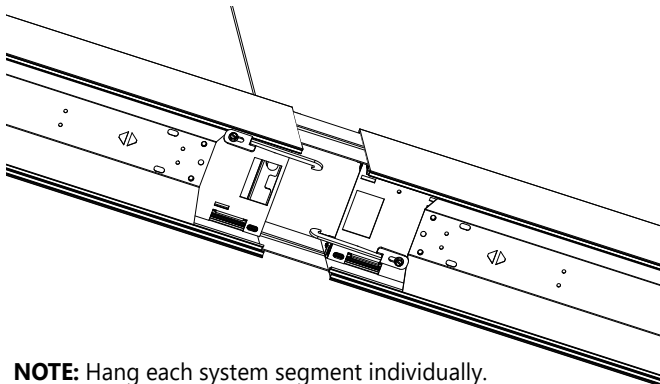


#### 12ft continuous



### ● JOINERS

In order to allow very long runs of BEAM4 SurroundLite luminaires, Axis has developed an effective joining system. Special care has been taken to maximize the performance of the joiner for each BEAM option.



**NOTE:** Hang each system segment individually.  
Do not assemble system prior to hanging.

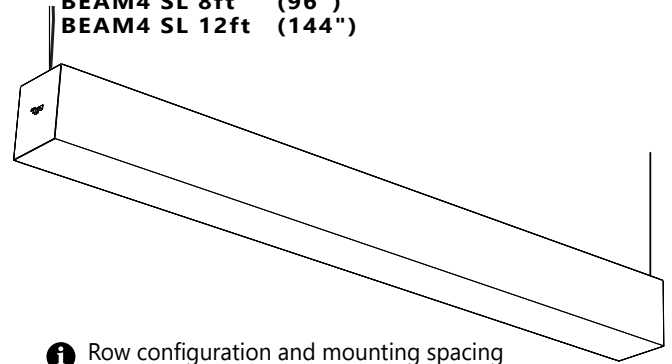
### ● SUSPENSION / MOUNTING SPACING

Distance Between  
Mounting Points:

<b>BEAM4 SL 3ft</b>	<b>(36 3/8")</b>
<b>BEAM4 SL 4ft</b>	<b>(48")</b>
<b>BEAM4 SL 6ft</b>	<b>(72")</b>
<b>BEAM4 SL 8ft</b>	<b>(96")</b>
<b>BEAM4 SL 12ft</b>	<b>(144")</b>

Standard Suspension  
Length (Adjustable):

**CABLE: 36"**  
**STEM: 18"**



**i** Row configuration and mounting spacing file is available at: [www.axislighting.com](http://www.axislighting.com) under 'Downloads' tab.

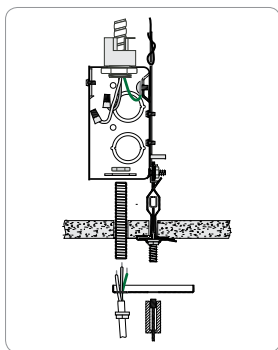
### ● WEIGHT

<b>BEAM4 SurroundLite 3ft</b>	13.5lbs / 6.1kg
<b>BEAM4 SurroundLite 4ft</b>	18lbs / 8.2kg
<b>BEAM4 SurroundLite 6ft</b>	27lbs / 12.3kg
<b>BEAM4 SurroundLite 8ft</b>	36lbs / 16.3kg
<b>BEAM4 SurroundLite 12ft</b>	54lbs / 24.5kg

### ● SYSTEMS (S#)

Runs of BEAM4 SurroundLite that are greater than 12ft in length are designated as systems (S#). This means that the run is comprised of a combination 4ft and/or 8ft sections to be assembled on site using our joining system. For more information on systems and joining, please refer to the BEAM4 SurroundLite installation sheets available at: [www.axislighting.com](http://www.axislighting.com) under 'Downloads' tab.

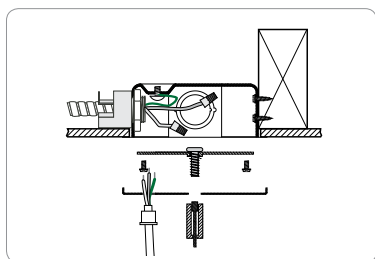
● **MOUNTING OPTIONS**



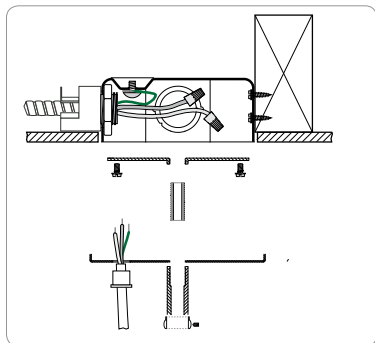
**CT TILE CEILING - ON GRID**

**i** Mounting options are also available for slope ceiling and seismic bracing.

Installation sheets for all mounting options are available at: [www.axislighting.com](http://www.axislighting.com) under 'Downloads' tab.



**CA DRYWALL CEILING**



**SA STEM MOUNT IN DRYWALL CEILING**

● **CONSTRUCTION**

<b>Housing</b>	Extruded aluminum (0.075" nominal)
<b>End Cap</b>	Die cast zinc (0.60" nominal)
<b>Interiors Brackets</b>	Die formed sheet steel (18 gauge)
<b>Reflectors</b>	Specular reflective aluminium and White powder coated sheet steel (24 gauge)
<b>Hanger</b>	Die formed sheet steel (16 gauge)
<b>Suspension</b>	Aircraft cable or Ø 1/2" stem
<b>Cable Grips</b>	Quick connecting / release


● **WARRANTY**

Axis Lighting will warrant defective LEDs, boards, and drivers for 5 years from date of purchase. Warranty is valid if luminaire is installed and used according to specifications. If defective, Axis will send replacement boards or drivers at no cost along with detailed replacement instructions and instructions on how to return defective components to Axis.

● **FINISH**

Aluminum paint, powder coated and custom finishes are also available.

● **APPROVALS**

Certified to UL and CSA standards 

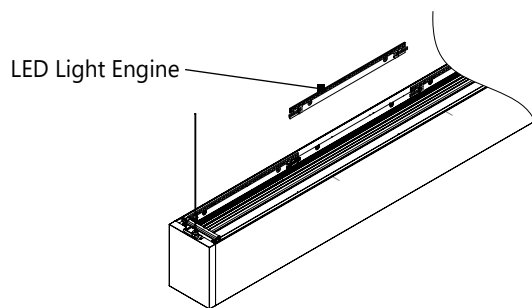
● **LED SYSTEM**

<b>LED</b>	Use of OptimaLED technology based on mid-flux LED
<b>CRI</b>	Minimum 80 or 90 color rendering index
<b>CCT</b>	Choice of 3000K, 3500K and 4000K color temperature with a great color consistency (within 3-step MacAdam ellipse). Both within fixture and fixture to fixture.
<b>LED life</b>	Minimum 50,000h with 85% of lumen maintenance in 25°C ambient temperature, in compliance with IES LM-80 testing measurements.
<b>Thermal Management</b>	Aluminium housing acting as the heat spreader to maximize life.
<b>Environment</b>	Dry and damp rated in operating ambient temperatures of 0-40°C (32-104F)

● **LED UPGRADE / REPLACEMENT**

All LED light engines used are field replaceable and upgradable to ensure the lighting system will last for years. Future-proof design comes with easy access to LED light engines from above using quick connectors (included in luminaire) and a screwdriver.

**i** For more information on LED light engine upgrade and replacement, please refer to the BEAM4 SurroundLite Light Engine Replacement sheet available at: [www.axislighting.com](http://www.axislighting.com) under 'Downloads' tab.



● **ELECTRICAL**

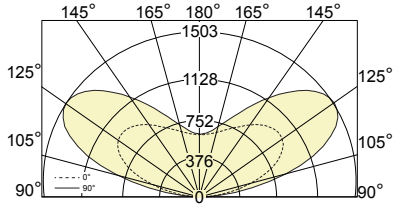
<b>Controls ready</b>	Dimming 0-10V driver
<b>Lutron driver</b>	LDE5 EcoSystem 5-Series, LTE Hi-Lume series A.
<b>Bi-Level driver</b>	Bi-Level dimming
<b>Other driver</b>	Tunable output or specify
<b>Emergency</b>	Emergency battery pack or emergency circuit optional.
<b>Input Voltage</b>	120V, 277V, 347V, UNV (120 - 277V)
<b>Power Factor</b>	>0.9
<b>Class</b>	Class 2 output
<b>Wire Connectors</b>	Electrical connections are made with quick connectors.

● **PHOTOMETRIC DATA**

**NO SHIELDING (NO)**

BBILED2-SL-1250-80-35-NO  
1250lm/ft

**PHOTOMETRIC CURVE**



**Lumen/ft up: 1251 lm/ft**  
**Total Lumens: 5004 lm (for 4ft)**  
**Input Watts: 56 W**  
**Efficacy: 89 lm/W**

CRI:80 shown (for CRI:90 use 0.8 multiplier on watts and efficacy)  
IES FILE: BBILED2-SL-1250-80-35-NO-4-W-120-D-1.IES

**CANDELA DISTRIBUTION**

Vertical Angle	Horizontal Angles				
	0	22.5	45	67.5	90
90	0	0	0	0	0
95	103	117	145	174	179
105	474	512	622	760	810
115	780	847	1019	1235	1324
125	920	993	1183	1409	1503
135	906	967	1125	1308	1383
145	807	848	951	1070	1117
155	697	721	773	833	854
165	617	625	648	671	678
175	577	582	584	589	589
180	577	577	577	577	577

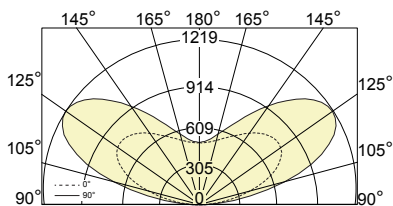
**ZONAL LUMENS**

Zone	Lumens
90	
90-100	175
100-110	663
110-120	1017
120-130	1066
130-140	877
140-150	604
150-160	363
160-170	186
170-180	57
180	

**NO SHIELDING (NO)**

BBILED2-SL-1000-80-35-NO  
1000lm/ft

**PHOTOMETRIC CURVE**



**Lumen/ft up: 1014 lm/ft**  
**Total Lumens: 4056 lm (for 4ft)**  
**Input Watts: 45 W**  
**Efficacy: 90 lm/W**

CRI:80 shown (for CRI:90 use 0.8 multiplier on watts and efficacy)  
IES FILE: BBILED2-SL-1000-80-35-NO-4-W-120-D-1.IES

**CANDELA DISTRIBUTION**

Vertical Angle	Horizontal Angles				
	0	22.5	45	67.5	90
90	0	0	0	0	0
95	83	95	117	141	145
105	384	415	504	616	657
115	633	686	826	1001	1073
125	746	805	959	1142	1219
135	734	784	912	1060	1121
145	654	688	771	867	905
155	565	585	627	675	692
165	500	507	525	544	549
175	467	472	473	477	477
180	467	467	467	467	467

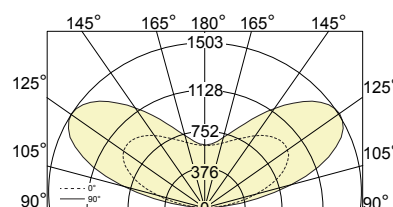
**ZONAL LUMENS**

Zone	Lumens
90	
90-100	142
100-110	538
110-120	825
120-130	864
130-140	711
140-150	490
150-160	294
160-170	151
170-180	46
180	

**NO SHIELDING (NO)**

BBILED2-SL-750-80-35-NO  
750lm/ft

**PHOTOMETRIC CURVE**



**Lumen/ft up: 752 lm/ft**  
**Total Lumens: 3008 lm (for 4ft)**  
**Input Watts: 34 W**  
**Efficacy: 88 lm/W**

CRI:80 shown (for CRI:90 use 0.8 multiplier on watts and efficacy)  
IES FILE: BBILED2-SL-750-80-35-NO-4-W-120-D-1.IES

**CANDELA DISTRIBUTION**

Vertical Angle	Horizontal Angles				
	0	22.5	45	67.5	90
90	0	0	0	0	0
95	62	70	87	105	108
105	285	308	373	456	486
115	469	508	612	742	795
125	552	596	710	846	903
135	544	581	676	786	831
145	484	509	571	642	670
155	418	433	464	500	513
165	370	376	389	403	407
175	346	349	350	354	354
180	346	346	346	346	346

**ZONAL LUMENS**

Zone	Lumens
90	
90-100	105
100-110	398
110-120	611
120-130	640
130-140	527
140-150	363
150-160	218
160-170	112
170-180	34
180	

**i** All IES files are available for download at: [www.axislighting.com](http://www.axislighting.com)