



# SURFACE ASYMMETRIC MOUNT

## PROJECT INFORMATION

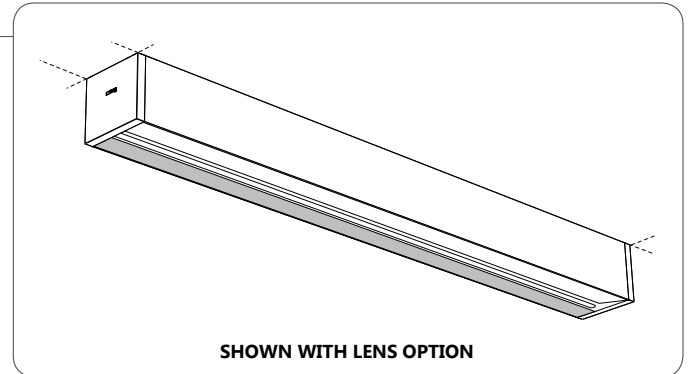
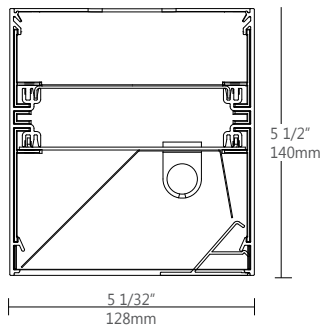
Project:

Type:

Notes:

## DIMENSIONS

### SECTION VIEWS



## ORDERING CODE

1	2	3	4	5	6	7	8	9	10	11	12	13	14	15	16
---	---	---	---	---	---	---	---	---	----	----	----	----	----	----	----

## PRODUCT SPECIFICATIONS

1 PRODUCT ID	2 OPTICS DIRECT	3 LENGTH/FT	4 SPECIFY LENGTH	5 LAMP	6 LAMP CONFIGURATION
<b>B6S</b> surface	<b>A</b> asymmetric	<b>2</b> 2' <b>3</b> 3' <b>4</b> 4' <b>5</b> 5' <b>6</b> 6' <b>8</b> 8' <b>12</b> 12' <b>S#</b> System Run	<b>NL</b> nominal (3' & 4' lamps) <b>NL4</b> nominal (4' lamps only) <b>EX</b> exact (3' & 4' lamps) <b>EX4</b> exact (4' lamps only)	<b>T5</b> T5 <b>T5HO</b> T5HO <b>T8</b> T8	<b>1</b> 1 lamp

7 MR	8 FINISH	9 VOLTAGE	10 BALLAST	11 CIRCUITS	12 MOUNTING/SUSPENSION
<b>M16#</b> MR 16 halogen <b>M16LED#</b> MR 16 LED	<b>AP</b> aluminum paint <b>W</b> white <b>BLK</b> black <b>C</b> custom	<b>120</b> 120V <b>277</b> 277V <b>347</b> 347V <sup>(1)</sup> <b>UNV</b> universal	<b>D</b> dimming <b>E</b> instant start <sup>(2)</sup> <b>ERS</b> program start <b>BI</b> bi-level dimming	<b>1</b> 1 regular <b>2A/B</b> 2 alternating <b>+E(#)</b> emergency section <b>+NL(#)</b> night light section <b>+GTD(#)</b> generator transfer device <b>+M</b> MR	<b>S</b> surface drywall ceiling <b>SB</b> surface t-bar ceiling <b>SC</b> surface solid ceiling
Add 9" per lamp Requires 120V or 277V		(1) Please consult factory	(2) Available with T8 lamp only		

13 BATTERY	14 OTHER	15 IC CONTROLS	16 CUSTOM
<b>B#</b> battery pack 4' sections	<b>F</b> fuse <b>EF</b> end feed <b>FW(#)</b> flex whip (6' std)	<b>DS#</b> daylight sensor <b>OS#</b> occupancy sensor <b>DS+OS#</b> daylight+occupancy sensor <b>DOS#</b> daylight&occupancy sensor	<b>C</b> custom
		See integrated controls guide for further details	Please specify



## ● CONSTRUCTION

<b>Housing</b>	Extruded Aluminum (0.075" nominal) up to 70% Recycled Content
<b>End Cap</b>	Sheet Steel (18 ga)
<b>Interior Brackets</b>	Die Formed Sheet Steel (18 ga)
<b>Reflectors</b>	White Powder Coated Sheet Steel (22 ga)
<b>Blank</b>	Extruded Aluminum (0.075" nominal)

## ● WEIGHT

<b>4 ft</b>	16.3 lbs / 7.4 kg
<b>8 ft</b>	32.6 lbs / 14.8 kg
<b>12 ft</b>	48.9 lbs / 22.2 kg

## ● ELECTRICAL

<b>Ballast</b>	Electronic IS, Electronic Rapid Start, Dimming (0-10V, Line, EcoSystem, DALI), BI-level dimming With preinstalled ballast disconnect as per NEC & CEC
<b>Emergency</b>	Emergency battery pack or emergency circuit
<b>Voltage</b>	120V, 277V, 347V, UNV

## ● SYSTEM (S#)

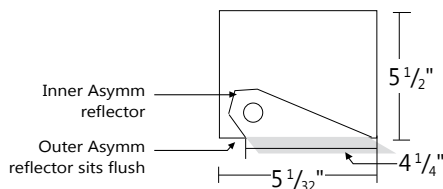
BEAM 6 linear systems, with the use of a strong profile, allow for a nearly hair thin connection system of continuous runs. Lengths of 4', 8', 12' as well as custom lengths are available. Runs of BEAM 6 that are greater than 12' in length are designated as systems (S#). This means that the run is comprised of a combination 4', 8' and/or 12' sections to be assembled on site using our joining system. For more information on systems and joining, please refer to the BEAM installation sheets available for download at [www.axislighting.com](http://www.axislighting.com).

## ● FINISH

Aluminium paint, Powder Coated and custom finishes are also available.

## ● ASYMMETRIC

<b>InnerAsymmetric Reflector</b>	Die Formed Specular Aluminum (22 gauge)
<b>Outer Asymmetric Reflector</b>	Extruded Aluminum (0.075" nominal)

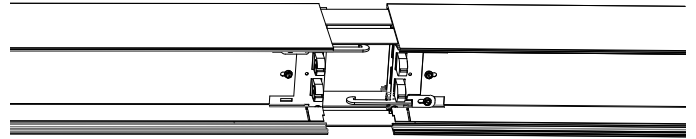


## ● APPROVALS

Certified to UL and CUL standards Meets NYC requirements  
Suitable for damp locations.

## ● JOINERS

In order to allow very long runs of BEAM 6 luminaires, Axis has developed a number of different joining systems. Special care has been taken to maximize the performance of the joiner for each BEAM option.

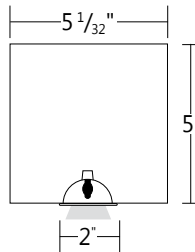


**NOTE:** Mount each system segment individually. Do not assemble system prior to mounting.

## ● MR16

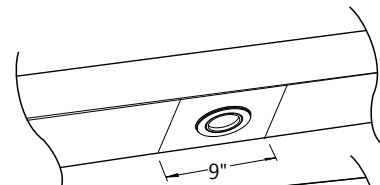
<b>Blank</b>	Extruded Aluminum (0.075" nominal)
<b>MR16 Halogens</b>	2.0" diameter (35W / 50W)
<b>MR16 LED</b>	2.0" diameter
<b>Quantity</b>	For every 4' fluorescent lamp section, there may be up to a maximum of 4 x MR16 lamps.

### Spacing

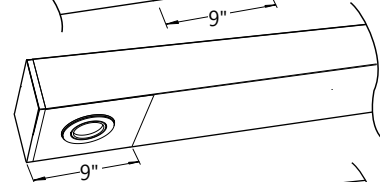


Each MR16 is placed centered on a blank section 9" in length. For a series of MR16's within a given section length, they will be spaced evenly on a longer blank section. The directed light of MR16 Halogen lamps are fixed downward. Custom spacing may be available on special request.

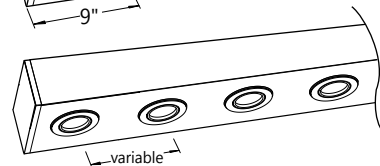
### Between fluorescent lamps sections



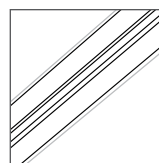
### At luminaire ends



### Several in a long blank section



## ● OPTICS

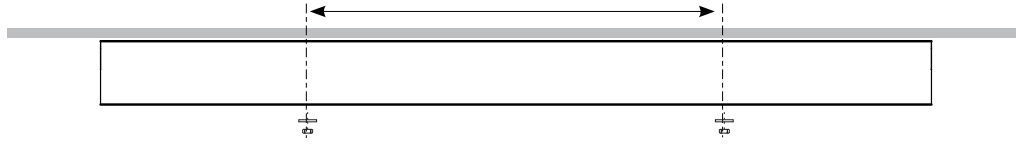


**ASYMMETRIC NO LENS**  
(asymmetric reflector)

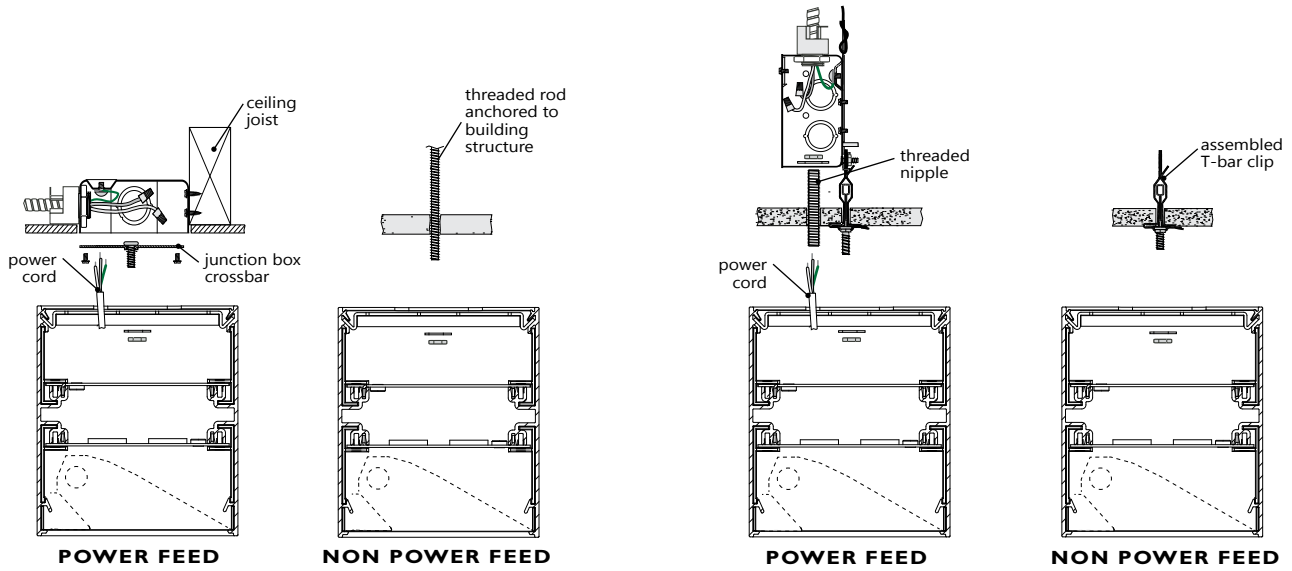
A asymmetric

● **MOUNTING OPTIONS**

End to End Between Mounting Points:	<b>T5/T5HO LAMP</b>	<b>T8 LAMP</b>
	<b>BEAM6 4'</b> (38 <sup>5</sup> / <sub>16</sub> " C.C.)	<b>BEAM6 4'</b> (40" C.C.)
	<b>BEAM6 8'</b> (84 <sup>5</sup> / <sub>8</sub> " C.C.)	<b>BEAM6 8'</b> (88" C.C.)
	<b>BEAM6 12'</b> (130 <sup>15</sup> / <sub>16</sub> " C.C.)	<b>BEAM6 12'</b> (136" C.C.)

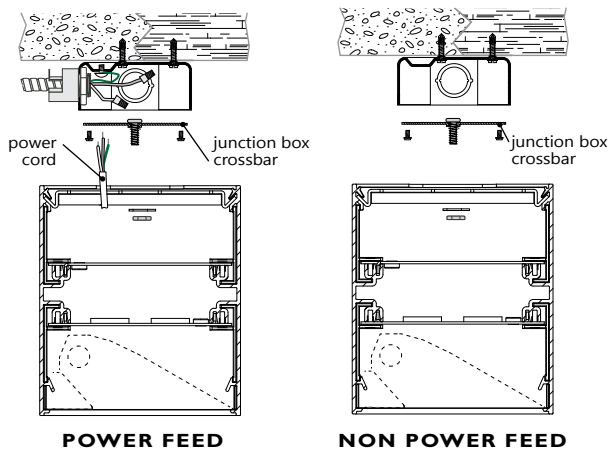


● **MOUNTING DETAILS**



**S** SURFACE MOUNT DRYWALL CEILING

**SB** SURFACE MOUNT T-BAR CEILING



**SC** SURFACE MOUNT SOLID CEILING

● **OTHER MOUNTING OPTIONS**

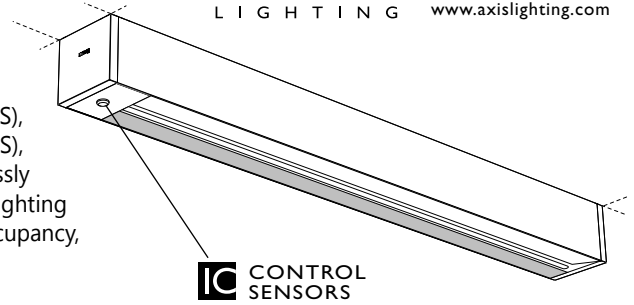
BEAM 6 is also available with recessed, pendant, wall, recessed wall and wall wash mounted options.

**i** Specification sheets and Installation sheets for all mounting for BEAM luminaires are available for download at [www.axislighting.com](http://www.axislighting.com)

## ● INTEGRATED CONTROL OPTIONS

BEAM 6 luminaires allow the use of integrated controls such as daylight sensors (DS), occupancy sensors (OS), individual daylight sensors and occupancy sensors (DS+OS), and combination daylight/occupancy sensors (DOS). These options can be seamlessly integrated into our luminaires. The control system could be used to optimize the lighting of the space by reducing energy consumption through daylight harvesting and occupancy, thereby improving the overall interior environment and allowing for LEED credits.

- Consult factory for other options.
- Refer to IC brochure for more information.



SENSORS	BRAND	Model	TYPE	CODE	COMPATIBLE DIMMING BALLAST
Daylight Sensor (DS)	Lutron	EC-DIR-WH	Daylight	LD	EcoSystem
	Wattstopper	FD-301	Daylight	WD	0-10V
	Philips	Luxsense	Daylight	PL	0-10V
Occupancy Sensor (OS)	Wattstopper	FS-205	PIR Occupancy	WP1	Programmed Rapid Start
		FS-355	PIR Occupancy	WP2	Programmed Rapid Start
		FM-105	High Frequency Occupancy	WH	Programmed Rapid Start
Daylight & Occupancy Sensors (DOS)	Philips	Actilume	Daylight & PIR Occupancy	PA	DALI or 0-10V