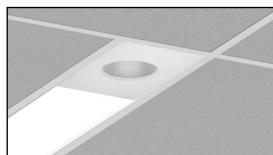




Shielding option



Downlight insert



StepLens option

Project \_\_\_\_\_

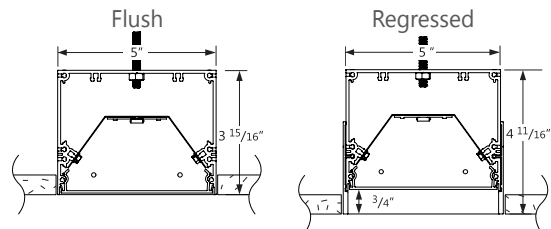
Type \_\_\_\_\_

Notes \_\_\_\_\_

### PERFORMANCE PER LINEAR FOOT AT 4000K

NOMINAL LUMEN OUTPUT	INPUT WATTS*	EFFICACY
400 lm/ft	3.4 W/ft	117 lm/W
500 lm/ft	4.3 W/ft	116 lm/W
750 lm/ft	6.6 W/ft	113 lm/W
1000 lm/ft	9.0 W/ft	111 lm/W

\* Based on a 4 foot luminaire using one driver  
Please consult factory for custom lumen output and wattage.



### Ordering Guide

B6RLED		NOM. LUMENS/FT		CRI	COLOR TEMP.	SHIELDING		LENGTH
<b>B6RLED</b>	Recessed LED	<b>400</b>	400 lm/ft - Minimum	<b>80</b>	27 2700 K	<b>FL</b>	flush	<b>2</b> 2'
		<b>1000</b>	1000 lm/ft - Maximum	<b>90</b>	<b>30</b> 3000 K	<b>RG</b>	regressed	<b>3</b> 3'
					<b>35</b> 3500 K	<b>2M</b>	2" StepLens, lum. end cap <sup>(1)</sup>	<b>4</b> 4'
					<b>40</b> 4000 K	<b>2P</b>	2" StepLens, opaque end cap <sup>(1)</sup>	<b>5</b> 5'
								<b>6</b> 6'
								<b>8</b> 8'
								<b>12</b> 12'
								<b>S#</b> system run
Outputs between listed min and max are available. Consult factory for outputs outside of the listed range.						All lens options use spotless lens <sup>(1)</sup> See page 2-3 for more details		

LED DOWNLIGHT INSERT (OPTIONAL)	FINISH	VOLTAGE	DRIVER	CIRCUITS
<b>CB31525(#)</b> Fixed LED 3" dia 1500lm 25deg <sup>(2)</sup>	<b>W</b> white	<b>120</b> 120 V	<b>DP</b> dimming (0-10V) 1%	<b>1</b> 1 circuit
<b>CB31538(#)</b> Fixed LED 3" dia 1500lm 38deg <sup>(2)</sup>	<b>C</b> custom	<b>277</b> 277 V	<b>D</b> dimming (0-10V) 5% 347V standard <sup>(6)</sup>	<b>2</b> 2 circuits
<b>CB31555(#)</b> Fixed LED 3" dia 1500lm 55deg <sup>(2)</sup>		<b>347</b> 347 V <sup>(5)</sup>	<b>LT</b> Lutron <sup>(7)</sup>	<b>+E(#)</b> emergency circuit <sup>(9)</sup>
<b>CB30925(#)</b> Fixed LED 3" dia 900lm 25deg <sup>(2)</sup>		<b>UNV</b> universal	<b>BI</b> bi-level dimming	<b>+NL(#)</b> night light circuit <sup>(9)</sup>
<b>CB30938(#)</b> Fixed LED 3" dia 900lm 38deg <sup>(2)</sup>			<b>O</b> other <sup>(8)</sup>	<b>+GTD(#)</b> generator transfer device <sup>(9)</sup>
<b>CB30955(#)</b> Fixed LED 3" dia 900lm 55deg <sup>(2)</sup>				<b>+LDI</b> led downlight insert
<b>M16(#)</b> Adj. MR16 halogen lamp - Line voltage (by others) <sup>(3)</sup>				<b>+M</b> MR
<b>M16LED(#)</b> Adj. MR16 LED lamp - Line voltage (provided) <sup>(3)</sup> *				
<b>M16LEDB(#)</b> Adj. MR16 LED lamp - Dimmable (provided) <sup>(4)</sup> *				
<sup>(2)</sup> Available in 3000K. Consult factory for other CCT's; see pg.4		<sup>(5)</sup> D dimming (0-10V) 5% standard	<sup>(6)</sup> For 347 V only	<sup>(9)</sup> Specify quantity
<sup>(3)</sup> Specify quantity; Line wattage only; Separate circuits included; 25° adjustability			<sup>(7)</sup> Specify system	
<sup>(4)</sup> Consult factory; See page 6 for more details. MR16 constant current for 0-10V & DALI only			<sup>(8)</sup> Please consult factory; see page 2	
Requires 120V or 277V; See page 5 for more details				
* Available in 2700K or 3000K				

MOUNTING	BATTERY (OPTIONAL)	OTHER (OPTIONAL)	IC CONTROLS (OPTIONAL)	CUSTOM (OPTIONAL)
<b>TB9</b> t-bar 9/16"	<b>B#</b> battery pack 4' sections	<b>F</b> fuse <sup>(10)</sup>	<b>DS#</b> daylight sensor	<b>C</b> custom
<b>TB15</b> t-bar 15/16"		<b>EF</b> end feed	<b>OS#</b> occupancy sensor	
<b>ST</b> screw slot t-bar		<b>FW(#)</b> flex whip (6' std) <sup>(11)</sup>	<b>DOS#</b> daylight & occupancy sensor	
<b>TG9</b> tegular 9/16"		<b>CP</b> Chicago plenum	<b>EN#</b> Enlighted integral <sup>(13)</sup>	
<b>TG15</b> tegular 15/16"		<b>HD</b> hold down clip <sup>(12)</sup>	<b>ENR#</b> Enlighted remote <sup>(14)</sup>	
<b>DF</b> drywall flange		<b>AR</b> air return plate <sup>(12)</sup>	<b>WC#</b> wireless control dimming	
<b>D</b> drywall flangeless		<b>SR</b> sprinkler plate <sup>(12)</sup>		
<b>DB</b> slip-through bracket		<b>SPK</b> speaker plate <sup>(12)</sup>		
<b>DS</b> drywall spackle flange				
	Not available with 347V Please consult factory	<sup>(10)</sup> Requires 120V or 277V <sup>(11)</sup> Specify quantity <sup>(12)</sup> Only available for t-bar mounting	<sup>(13)</sup> For flush and regressed option only; Please consult factory <sup>(14)</sup> Please consult factory Specify quantity. Requires 8" blank See integrated controls guide for more details.	Please specify

### ● SPECIFICATIONS

#### CONSTRUCTION

<b>Housing</b>	Extruded aluminum (0.075" nominal) up to 70% recycled content
<b>Interior Brackets</b>	Die Formed Sheet Steel (18 gauge)
<b>Reflectors</b>	White powder coated sheet steel (22 gauge)
<b>Blank</b>	Extruded aluminum (0.075" nominal)
<b>Lens</b>	Spotless frosted acrylic lens
<b>T-Bar Bracket</b>	Die formed sheet steel (16 gauge)
<b>Screw Slot T-Bar Bracket</b>	Die formed sheet steel (16 gauge)
<b>Slip-Through Bracket</b>	Die formed sheet steel (18 gauge)
<b>Spackle Flange</b>	Die formed perforated sheet steel (20 gauge)
<b>Flange</b>	Extruded aluminum (0.075" nominal) visible flange width: 9/16"

### ● ELECTRICAL

**Lutron driver\*** L3D - Hi-Lume A-Series EcoSystem 3-Wire Control (1%)  
LDE1 - EcoSystem H-Series (1%)  
LDE5 - EcoSystem 5-Series (5%)  
LTE - Hi-Lume® A-series 2Wires Forward Phase (1%)  
\*Consult factory

**Other drivers** DALI - Digital Addressable Lighting Interface  
DMX - Digital Multiplex  
LV - line voltage - Advance Mark 10  
Xitanium SR - For wireless sensor

**Emergency** Integral emergency battery pack  
or emergency circuit optional.

**Input Voltage** 120V, 277V, 347V, UNV.

**i** Incorporating these components may have limitations or affect the length of the luminaire. Please contact factory for more details.

### ● SYSTEM (S#)

BEAM 6 LED linear systems, with the use of a strong profile, allow for a nearly hair thin connection system of continuous runs. Lengths of 4', 8', 12' as well as custom lengths are available. Runs of BEAM 6 LED that are greater than 12ft in length are designated as systems (S#). This means that the run is comprised of a combination of 4', 8' and/or 12' sections to be assembled on site using our joining system. For more information on systems and joining, please refer to the BEAM 6 LED installation sheets available for download at [www.axislighting.com](http://www.axislighting.com).

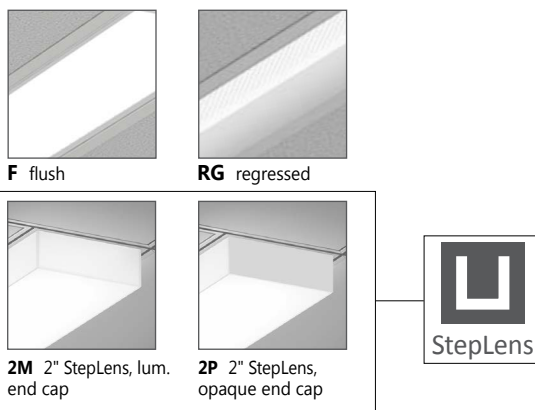
### ● FINISH

Powder coated and custom finishes are also available.

### ● Options

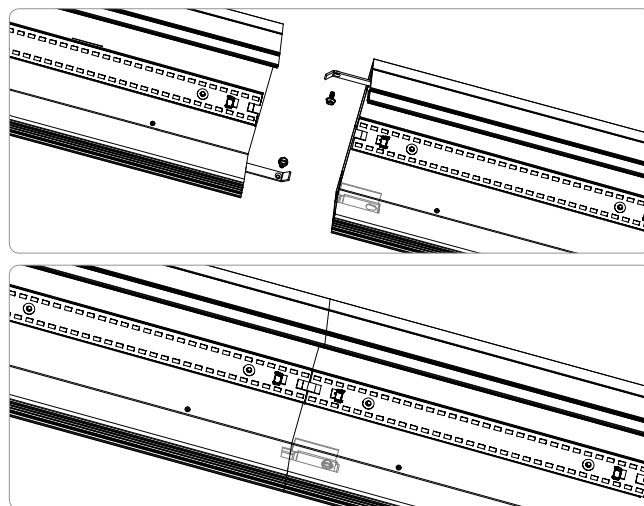
OUTPUT	CRI	COLOR TEMP.	SHIELDING	LENGTH	FINISH	VOLTAGE	DRIVER
400 lm/ft	80	3000 K	FL	2'	white	universal	DP
650 lm/ft		3500 K	2M	3'			
850 lm/ft		4000 K		4'			
				5'			
				6'			
				8'			
				12'			

### ● SHIELDING - Frosted acrylic Spotless lens



### ● JOINERS

In order to allow very long runs of BEAM 6 LED luminaires, Axis has developed a number of different joining systems. Special care has been taken to maximize the performance of the joiner for each BEAM 6 LED option.




#### JOINER SYSTEM

**NOTE:** Hang each system segment individually. Do not assemble system prior to hanging.

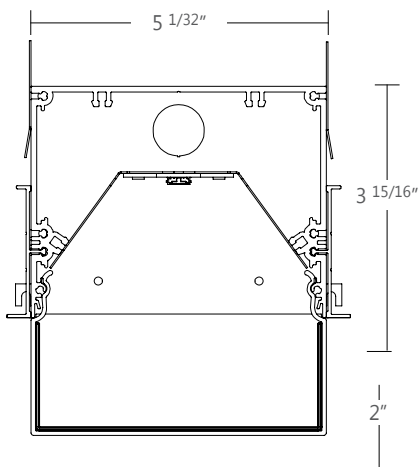
### ● WEIGHT

<b>Recessed LED 4 ft</b>	16.3 lbs / 7.4 kg
<b>Recessed LED 8 ft</b>	32.6 lbs / 14.8 kg
<b>Recessed LED 12 ft</b>	48.9 lbs / 22.2 kg

### ● APPROVALS

Certified to UL and CSA standards   
Meets NYC requirements  
Meets CCEC requirements (Chicago plenum)  
Suitable for damp locations  
IC Rated (Insulated ceiling)

### STEP LENS OPTION

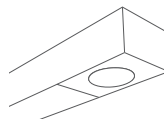


### PERFORMANCE

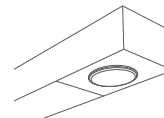
LUMENS	WATTS	EFFICACY
1000 lm/ft	8.64 W/ft	120 lm/W

### TECHZONE™ AND LOGIX™

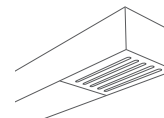
Integrated contiguous modules for PA speakers, Air Returns and Sprinkler Heads are available for our recessed Beam products to add a consistent linear system to complete the illuminated portion.



SPK SPEAKER



SR SPRINKLER



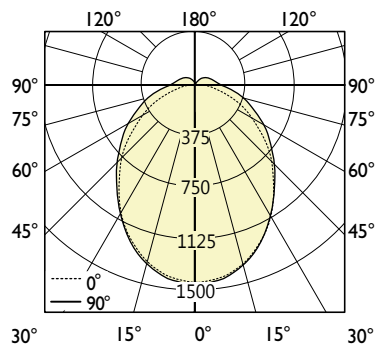
AR AIR RETURN

### 1000 lm/ft with 2" StepLens



StepLens

### PHOTOMETRIC CURVE



**Total Lumens: 4146 lm (for 4ft)**  
**Input Watts: 34.58 W**  
**Efficacy: 120 lm/W**

IES FILE: B6RLED-1000-80-35-1.5M-4-W

### CANDELA DISTRIBUTION

Vertical Angle	Horizontal Angles				
	0	22.5	45	67.5	90
0	1437	1437	1437	1437	1437
5	1422	1427	1424	1431	1436
15	1341	1350	1348	1346	1351
25	1188	1199	1193	1183	1182
35	985	1000	993	984	981
45	764	788	795	798	799
55	553	588	613	630	634
65	362	408	448	475	481
75	197	251	303	332	335
85	72	129	185	211	213
90	32	89	144	169	170
95	27	76	125	144	145
105	19	60	101	117	119
115	13	45	81	98	100
125	9	31	63	80	84
135	6	21	44	60	65
145	3	12	29	38	43
155	1	4	14	24	26
165	0	0	4	8	10
175	0	0	0	0	0
180	0	0	0	0	0

### ZONAL LUMENS

Zone	Lumens
0	
0-10	135
10-20	379
20-30	548
30-40	620
40-50	611
50-60	543
60-70	435
70-80	306
80-90	186
90-100	119
100-110	92
110-120	70
120-130	50
130-140	31
140-150	16
150-160	7
160-170	1
180	

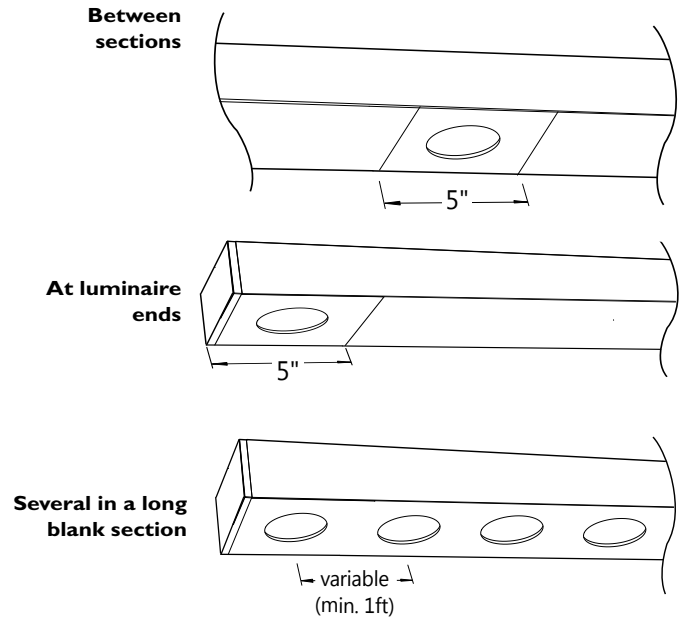
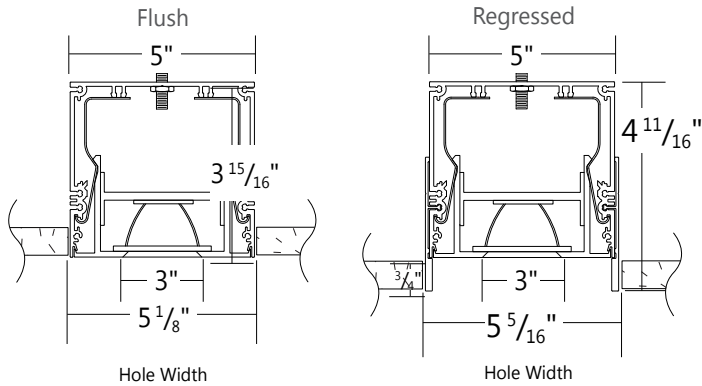
### LUMINANCE DATA (cd/m<sup>2</sup>)

Vertical Angle	Horizontal Angles		
	0	45	90
0			
45	6764	5577	5254
55	5930	4806	4575
65	5119	4123	3980
75	4279	3503	3367
85	3608	3000	2837

**i** All IES files are available for download at: [www.axislighting.com](http://www.axislighting.com)

### LED DOWNLIGHT INSERT

- Blank** Extruded aluminum (0.075" nominal)
- CB3** 3.0" diameter fixed, 900 or 1500 lumen, 25°, 38°, 55°; 3000K, R9 =70, CRI=90, 3 Macadam Ellipse
- Quantity** Allow minimum 1ft distance between multiple units.



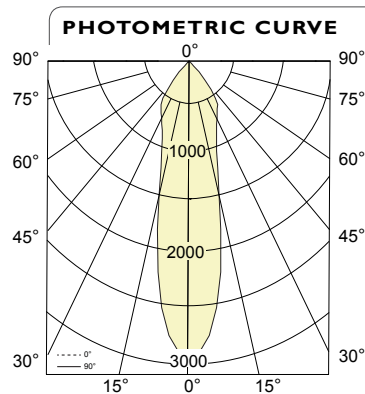
### PERFORMANCE

	LUMENS	WATTS	EFFICACY
CB309	880	11.6 W/ft	76 lm/W
CB315	1550	19.1 W/ft	81 lm/W

### PHOTOMETRIC DATA FOR LED DOWNLIGHT INSERT

#### CB31525#

Fixed LED 3" diameter 1500lm 25deg



**ACTUAL LUMEN: 1552 lm**  
**INPUT WATTS: 19.1 W**  
**EFFICACY: 81 lm/W**  
**CRI: 90**

IES FILE: CB31525.ies

#### CANDELA DISTRIBUTION

Vertical Angle	Horizontal Angles					Zonal Lumens
	0	22.5	45	67.5	90	
0	2879	2879	2879	2879	2879	
5	2670	2670	2670	2670	2670	237
10	2071	2071	2071	2071	2071	
15	1323	1323	1323	1323	1323	374
20	921	921	921	921	921	
25	737	737	737	737	737	343
30	635	635	635	635	635	
35	562	562	562	562	562	349
40	466	466	466	466	466	
45	259	259	259	259	259	197
50	68	68	68	68	68	

#### CB30925#

Fixed LED 3" diameter 900lm 25deg

**ACTUAL LUMEN: 876 lm**  
**INPUT WATTS: 11.6 W**  
**EFFICACY: 76 lm/W**  
**CRI: 90**

IES FIL2: CB30925.ies

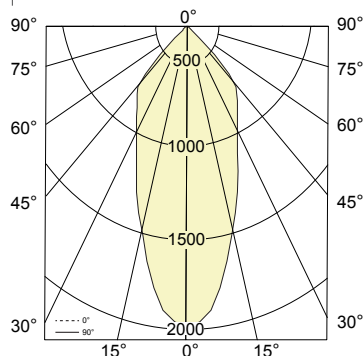
**i** All IES files are available for download at: [www.axislighting.com](http://www.axislighting.com)

### ● PHOTOMETRIC DATA FOR LED DOWNLIGHT INSERT

#### CB31538#

Fixed LED 3" diameter 1500lm 38deg

##### PHOTOMETRIC CURVE



**ACTUAL LUMEN: 1554 lm**  
**INPUT WATTS: 19.1 W**  
**EFFICACY: 81 lm/W**  
**CRI: 90**

IES FILE: CB31538.ies

##### CANDELA DISTRIBUTION

Vertical Angle	Horizontal Angles					Zonal Lumens
	0	22.5	45	67.5	90	
0	1999	1999	1999	1999	1999	
5	1897	1897	1897	1897	1897	172
10	1586	1586	1586	1586	1586	
15	1284	1284	1284	1284	1284	357
20	1026	1026	1026	1026	1026	
25	823	823	823	823	823	382
30	693	693	693	693	693	
35	602	602	602	602	602	377
40	526	526	526	526	526	
45	265	265	265	265	265	204
50	43	43	43	43	43	

#### CB30938#

Fixed LED 3" diameter 900lm 38deg

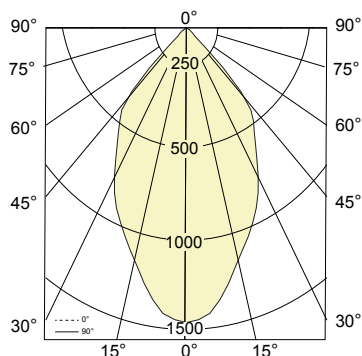
**ACTUAL LUMEN: 878 lm**  
**INPUT WATTS: 11.6 W**  
**EFFICACY: 76 lm/W**  
**CRI: 90**

IES FILE: CB30938.ies

#### CB31555#

Fixed LED 3" diameter 1500lm 55deg

##### PHOTOMETRIC CURVE



**ACTUAL LUMEN: 1559 lm**  
**INPUT WATTS: 19.1 W**  
**EFFICACY: 82 lm/W**  
**CRI: 90**

IES FILE: CB31555.ies

##### CANDELA DISTRIBUTION

Vertical Angle	Horizontal Angles					Zonal Lumens
	0	22.5	45	67.5	90	
0	1485	1485	1485	1485	1485	
5	1444	1444	1444	1444	1444	135
10	1309	1309	1309	1309	1309	
15	1161	1161	1161	1161	1161	325
20	1043	1043	1043	1043	1043	
25	913	913	913	913	913	416
30	760	760	760	760	760	
35	638	638	638	638	638	400
40	539	539	539	539	539	
45	278	278	278	278	278	214
50	57	57	57	57	57	

#### CB30955#

Fixed LED 3" diameter 900lm 55deg

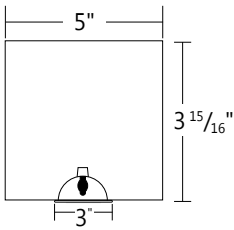
**ACTUAL LUMEN: 879 lm**  
**INPUT WATTS: 11.6 W**  
**EFFICACY: 76 lm/W**  
**CRI: 90**

IES FILE: CB30955.ies

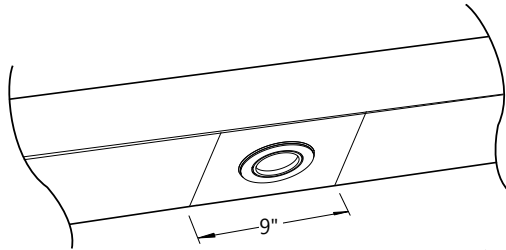
**i** All IES files are available for download at: [www.axislighting.com](http://www.axislighting.com)

### ● MR16 LED LAMPS

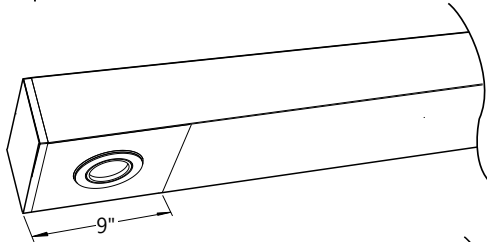
<b>Blank</b>	Extruded aluminum (0.075" nominal)
<b>MR16 Halogens</b>	Adjustable halogen lamp 35W / 50W (by others) - <b>Line voltage dimming only</b>
<b>MR16 LED</b>	Adjustable LED lamp (provided)- <b>Line voltage dimming only</b>
<b>MR16 LEDB</b>	Constant current LED lamp (provided)- <b>Dimmable by control system for 0-10V DALI only</b>
<b>Quantity</b>	For every 4' section, there may be up to a maximum of 4 x MR16 LED lamps.
<b>Spacing</b>	Each MR16 is placed centered on a blank section 9" in length. Within a given section length, a series of downlights will be spaced evenly on a longer blank section. Custom spacing available on special request.



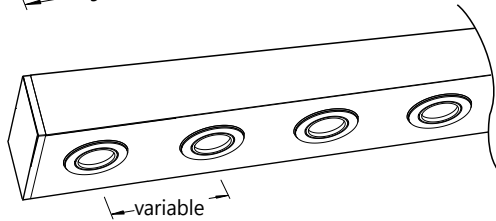
**Between sections**



**At luminaire ends**



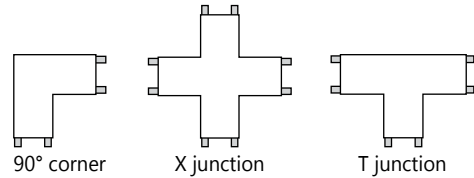
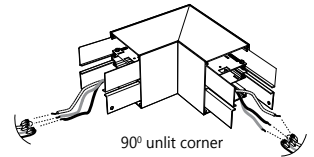
**Several in a long blank section**



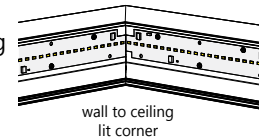
<b>Base Type</b>	GU 5.3
<b>Beam Angle</b>	40 nominal degrees
<b>Input Watts</b>	6W
<b>Nominal Lumens</b>	300 lumens
<b>Efficacy</b>	50 lumens per watt
<b>Color Rendering Index (CRI)</b>	85
<b>Center Beam Candle Power (CBCP)</b>	584 candelas
<b>Life</b>	25,000 hours at L <sub>70</sub>
<b>Correlated color temperature (CCT)</b>	2700K, 3000K
<b>Adjustability</b>	25° tilt

### ● CORNERS

**Unlit Corners** - BEAM 6 LED features a multitude of layout patterns with the use of a number of corners, 90° corner, T or X junctions.



**Lit Corners** - Axis also offers Lit 90° corners including ceiling to ceiling, wall to ceiling and ceiling to wall.



**i** For custom corner angles, please consult factory. Specifications sheets for all corners are available at: [www.axislighting.com](http://www.axislighting.com)

\*For StepLens please consult factory.

### ● WARRANTY

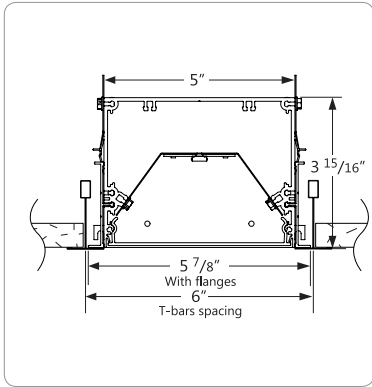
Axis Lighting will warrant defective LEDs, boards, and drivers for 5 years from date of purchase. Warranty is valid if luminaire is installed and used according to specifications. If defective, Axis will send replacement boards or drivers at no cost along with detailed replacement instructions and instructions on how to return defective components to Axis.

### ● LED SYSTEM

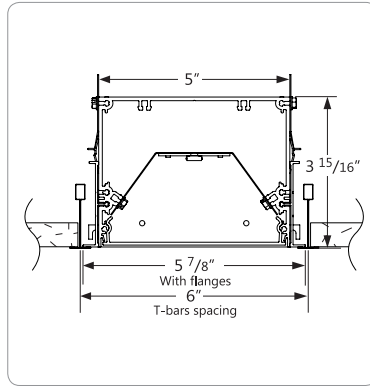
<b>CRI</b>	Minimum 80 or 90 color rendering index
<b>CCT</b>	Choice of 2700K, 3000K, 3500K and 4000K color temperature with a great color consistency (within 3.5-step MacAdam ellipse).
<b>LED life</b>	Minimum 50,000h with 70% of lumen maintenance in 25°C ambient temperature, in compliance with IES LM-80 testing measurements.
<b>Thermal management</b>	Aluminium housing acting as the heat sink to maximize life.

**i** More options are available upon request. Please consult factory.

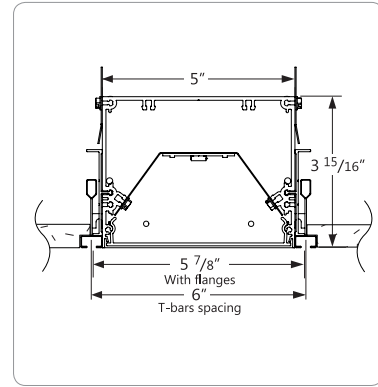
### ● TB CEILING MOUNTING OPTIONS



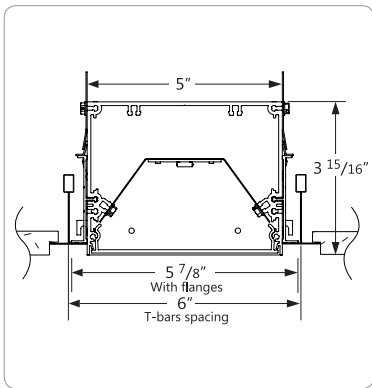
**TB15** 15/16" T-BAR



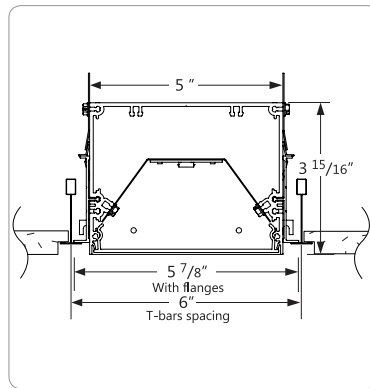
**TB9** 9/16" T-BAR



**ST** SCREW SLOT T-BAR

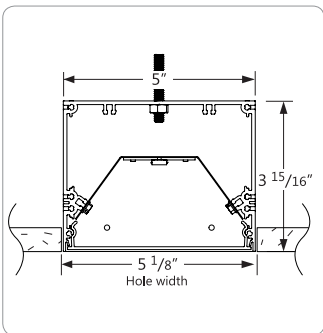


**TG15** 15/16" TEGULAR

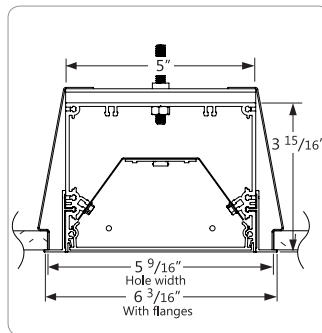


**TG9** 9/16" T-TEGULAR

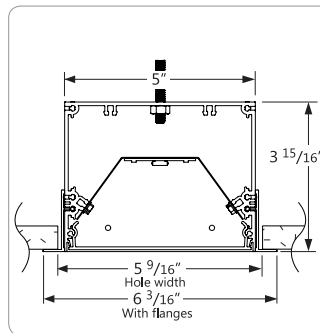
### ● DRYWALL CEILING MOUNTING OPTIONS



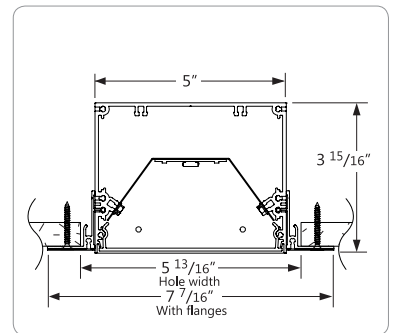
**D** FLANGELESS WITH  
1/4-20 STUD MOUNTING



**DB** VISIBLE FLANGES WITH  
SLIP-THROUGH BRACKET



**DF** VISIBLE FLANGES WITH  
1/4-20 STUD MOUNTING



**DS** SPACKLE FLANGES

### ● OTHER MOUNTING OPTIONS

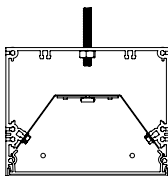
BEAM 6 LED is also available with pendant, surface, wall and recessed vertical mounted options.

**i** Specification sheets and installation sheets for all mountings for BEAM 6 LED luminaires are available for download at [www.axislighting.com](http://www.axislighting.com)

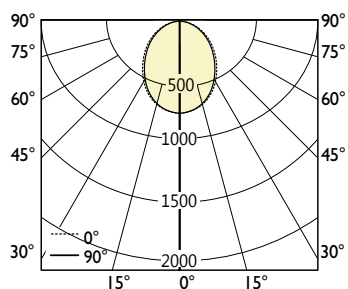


### PHOTOMETRIC DATA

400 lm/ft



#### PHOTOMETRIC CURVE



**Luminaire Lumens: 400 lm/ft**  
**Input Watts: 3.4 W/ft**  
**Efficacy: 117 lm/W**  
 IES FILE: B6RLED-400-80-35-SO.IES

TESTED ACCORDING TO IES LM-79-2008

#### CANDELA DISTRIBUTION

Vertical Angle	Horizontal Angles				
	0	22.5	45	67.5	90
0	701	701	701	701	701
5	694	696	694	697	700
15	657	659	653	651	652
25	587	585	574	566	564
35	492	487	471	457	451
45	385	379	362	347	341
55	279	274	259	245	240
65	179	175	165	157	153
75	91	89	84	80	78
85	23	22	21	19	19
90	0	0	0	0	0

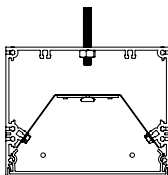
#### ZONAL LUMENS

Zone	Lumens
0	
0-10	66
10-20	184
20-30	264
30-40	295
40-50	280
50-60	232
60-70	165
70-80	90
80-90	24
90	

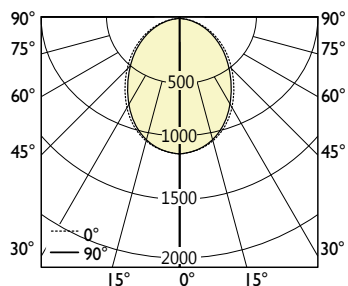
#### LUMINANCE DATA (cd/m<sup>2</sup>)

Vertical Angle	Horizontal Angles		
	0	45	90
45	3644	3425	3225
55	3251	3019	2797
65	2832	2616	2419
75	2355	2184	2023
85	1748	1589	1431

500 lm/ft



#### PHOTOMETRIC CURVE



**Luminaire Lumens: 500 lm/ft**  
**Input Watts: 4.3 W/ft**  
**Efficacy: 116 lm/W**  
 IES FILE: B6RLED-500-80-35-SO.IES

TESTED ACCORDING TO IES LM-79-2008

#### CANDELA DISTRIBUTION

Vertical Angle	Horizontal Angles				
	0	22.5	45	67.5	90
0	861	862	860	863	865
5	804	805	796	791	792
15	707	702	687	675	671
25	582	575	554	536	528
35	448	440	419	400	393
45	316	310	293	278	271
55	195	190	180	170	167
65	90	88	84	79	78
75	47	46	43	41	40
85	11	10	9	8	8
90	0	0	0	0	0

#### ZONAL LUMENS

Zone	Lumens
0	
0-10	82
10-20	230
20-30	331
30-40	368
40-50	350
50-60	290
60-70	206
70-80	113
80-90	30
90	

#### LUMINANCE DATA (cd/m<sup>2</sup>)

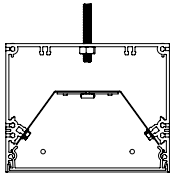
Vertical Angle	Horizontal Angles		
	0	45	90
45	4555	4281	4031
55	4064	3774	3496
65	3540	3270	3024
75	2944	2730	2529
85	2186	1987	1788

**i** All IES files for other lamping are available for download at: [www.axislighting.com](http://www.axislighting.com)

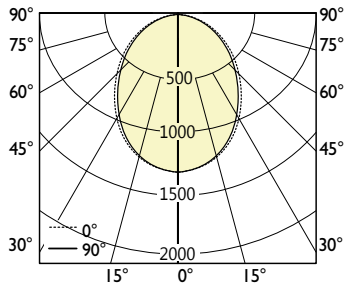


### ● PHOTOMETRIC DATA

750 lm/ft



#### PHOTOMETRIC CURVE



**Luminaire Lumens: 750 lm/ft**  
**Input Watts: 6.6W/ft**  
**Efficacy: 113 lm/W**  
 IES FILE: B6RLED-750-80-35-SO.IES

TESTED ACCORDING TO IES LM-79-2008

#### CANDELA DISTRIBUTION

Vertical Angle	Horizontal Angles				
	0	22.5	45	67.5	90
0	1291	1293	1290	1294	1298
5	1206	1207	1194	1187	1188
15	1060	1054	1030	1012	1007
25	873	863	832	804	793
35	672	660	628	600	590
45	474	465	439	417	407
55	292	286	270	255	250
65	134	132	126	119	116
75	71	68	65	62	61
85	16	15	14	12	12
90	0	0	0	0	0

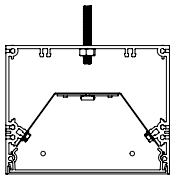
#### ZONAL LUMENS

Zone	Lumens
0	
0-10	124
10-20	345
20-30	496
30-40	553
40-50	525
50-60	435
60-70	309
70-80	169
80-90	45
90	

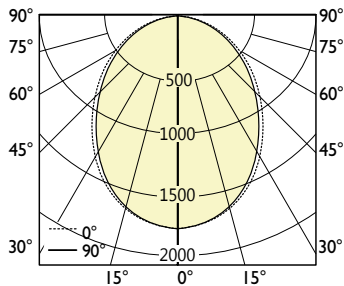
#### LUMINANCE DATA (cd/m<sup>2</sup>)

Vertical Angle	Horizontal Angles		
	0	45	90
45	6832	6421	6046
55	6095	5661	5244
65	5310	4905	4536
75	4416	4095	3794
85	3278	2980	2682

1000 lm/ft



#### PHOTOMETRIC CURVE



**Luminaire Lumens: 1000 lm/ft**  
**Input Watts: 9 W/ft**  
**Efficacy: 111 lm/W**  
 IES FILE: B6RLED-1000-80-35-SO.IES

TESTED ACCORDING TO IES LM-79-2008

#### CANDELA DISTRIBUTION

Vertical Angle	Horizontal Angles				
	0	22.5	45	67.5	90
0	1754	1754	1754	1754	1754
5	1736	1741	1734	1742	1749
15	1643	1648	1634	1626	1630
25	1468	1463	1436	1415	1411
35	1230	1216	1177	1142	1128
45	963	947	905	867	852
55	697	684	647	613	599
65	447	438	413	391	382
75	228	223	211	201	196
85	57	54	52	49	47
90	0	0	0	0	0

#### ZONAL LUMENS

Zone	Lumens
0	
0-10	165
10-20	460
20-30	661
30-40	737
40-50	700
50-60	580
60-70	411
70-80	226
80-90	60
90	

#### LUMINANCE DATA (cd/m<sup>2</sup>)

Vertical Angle	Horizontal Angles		
	0	45	90
45	9110	8561	8062
55	8127	7548	6992
65	7080	6539	6048
75	5888	5459	5058
85	4371	3974	3576

**i** All IES files for other lamping are available for download at: [www.axislighting.com](http://www.axislighting.com)