

Project \_\_\_\_\_

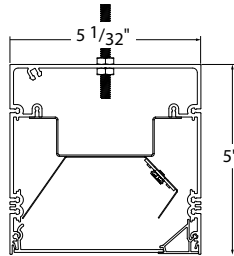
Type \_\_\_\_\_

Notes \_\_\_\_\_

### PERFORMANCE PER LINEAR FOOT AT 4000K

| NOMINAL LUMEN OUTPUT | INPUT WATTS* | EFFICACY |
|----------------------|--------------|----------|
| 750 lm/ft            | 7.5 W/ft     | 97 lm/W  |

\* Based on a 4 foot luminaire using one driver  
Please consult factory for custom lumen output and wattage.



### Ordering Guide



| B6RLED   |                           |           |             |                               | ASO           |  |
|--|---------------------------|-----------|-------------|-------------------------------|---------------|--|
| PRODUCT ID   | NOM. LUMENS/FT            | CRI       | COLOR TEMP. | SHIELDING                     | LENGTH        |  |
| B6RLED Recessed LED  | 400 400 lm/ft - Minimum   | 80 80 CRI | 27 2700 K   | ASO asymmetric with SO lens   | 2 2'          |  |
|  | 1000 1000 lm/ft - Maximum | 90 90 CRI | 30 3000 K   |                               | 3 3'          |  |
|  |                           |           | 35 3500 K   |                               | 4 4'          |  |
|  |                           |           | 40 4000 K   |                               | 5 5'          |  |
|  |                           |           |             |                               | 6 6'          |  |
|  |                           |           |             |                               | 8 8'          |  |
|  |                           |           |             |                               | 12 12'        |  |
|  |                           |           |             |                               | S# system run |  |
| Outputs between listed min and max are available. Consult factory for outputs outside of the listed range. |                           |           |             | See page 2-3 for more details |               |  |

| LED DOWNLIGHT INSERT   | FINISH            | VOLTAGE                           | DRIVER  | CIRCUITS   |
|--|-------------------|-----------------------------------|---|--|
| CB31525# Fixed LED 3" dia 1500lm 25deg <sup>(1)</sup>  | AP aluminum paint | 120 120 V                         | DP dimming (0-10V) 1%                             | 1 1 circuit                                      |
| CB31538# Fixed LED 3" dia 1500lm 38deg <sup>(1)</sup>  | W white           | 277 277 V                         | D dimming (0-10V) 5% 347V standard <sup>(4)</sup> | 2 2 circuits                                     |
| CB31555# Fixed LED 3" dia 1500lm 55deg <sup>(1)</sup>  | BLK black         | 347 347 V <sup>(3)</sup>          | LT Lutron <sup>(5)</sup>                          | +E(#) <sup>(7)</sup> emergency circuit           |
| CB30925# Fixed LED 3" dia 900lm 25deg <sup>(1)</sup>   | C custom          | UNV universal                     | BI bi-level dimming                               | +NL(#) <sup>(7)</sup> night light circuit        |
| CB30938# Fixed LED 3" dia 900lm 38deg <sup>(1)</sup>   |                   |                                   | O other <sup>(6)</sup>                            | +GTD(#) <sup>(7)</sup> generator transfer device |
| CB30955# Fixed LED 3" dia 900lm 55deg <sup>(1)</sup>   |                   |                                   |   | +M MR  |
| M16# Adj. MR 16 halogen lamp (by others) <sup>(2)</sup>  |                   |                                   |   |  |
| M16LED# Adj. MR 16 LED lamp (provided) <sup>(2) *</sup>  |                   |                                   |   |  |
| (1) Available in 3000K. Consult factory for other CCT's; comes with 5" deep extrusion - see pg.3 |                   | (3) D dimming (0-10V) 5% standard | (4) For 347V only                                 | (7) Specify quantity                             |
| (2) See page 5 for more details; 25° adjustability Requires 120v or 277V                         |                   |                                   | (5) Specify system                                |  |
| * Available in 2700K or 3000K  |                   |                                   | (6) Please consult factory; see page 2            |  |

| MOUNTING                  | BATTERY (OPTIONAL)                             | OTHER (OPTIONAL)                        | IC CONTROLS (OPTIONAL)   | CUSTOM (OPTIONAL) |
|---------------------------|--|---|--|-------------------|
| TB9 t-bar 9/16"           | B# battery pack 4' sections                    | F fuse <sup>(8)</sup>                   | DS# daylight sensor  | C custom          |
| TB15 t-bar 15/16"         |  | EF end feed                             | OS# occupancy sensor   |                   |
| ST screw slot t-bar       |  | FW(#) <sup>(8)</sup> flex whip (6' std) | DOS# daylight & occupancy sensor   |                   |
| TG9 tegular 9/16"         |  | CP Chicago plenum                       | EN# Enlighted integral <sup>(9)</sup>  |                   |
| TG15 tegular 15/16"       |  |   | ENR# Enlighted remote <sup>(10)</sup>  |                   |
| DF drywall flange         |  |   | WC# wireless control dimming   |                   |
| D drywall flangeless      |  |   |  |                   |
| DB slip-through bracket   |  |   |  |                   |
| DS drywall spackle flange |  |   |  |                   |
|                           | Not available with 347V Please consult factory | (8) Requires 120V or 277V               | (9) For flush option only; Please consult factory<br>(10) Please consult factory. Specify quantity. Requires 8" blank. See integrated controls guide for more details. | Please specify    |

## ● CONSTRUCTION

|                                 |  |
|---------------------------------|--|
| <b>Housing</b>                  | Extruded aluminum (0.075" nominal) up to 70% recycled content  |
| <b>End Cap</b>                  | Sheet steel (18 gauge)   |
| <b>Interior Brackets</b>        | Die formed sheet steel (18 gauge)                              |
| <b>Reflectors</b>               | White powder coated sheet steel (22 gauge)                     |
| <b>Blank</b>                    | Extruded aluminum (0.075" nominal)                             |
| <b>Lens</b>                     | Spotless acrylic lens  |
| <b>T-Bar Bracket</b>            | Die formed sheet steel (16 gauge)                              |
| <b>Screw Slot T-Bar Bracket</b> | Die formed sheet steel (16 gauge)                              |
| <b>Slip-Through Bracket</b>     | Die formed sheet steel (18 gauge)                              |
| <b>Spackle Flange</b>           | Die formed perforated sheet steel (20 gauge)                   |
| <b>Flange</b>                   | Extruded aluminum (0.075" nominal) visible flange width: 9/16" |

## ● ELECTRICAL


|                       |  |
|-----------------------|--|
| <b>Lutron driver*</b> | L3D - Hi-Lume A-Series EcoSystem 3-Wire Control (1%)<br>LDE1 - EcoSystem H-Series (1%)<br>LDE5 - EcoSystem 5-Series (5%)<br>LTE - Hi-Lume® A-series 2Wires Forward Phase (1%)<br><small>*Consult factory</small> |
| <b>Other drivers</b>  | DALI - Digital Addressable Lighting Interface<br>DMX - Digital Multiplex<br>LV - line voltage - Advance Mark 10<br>Xitanium SR - For wireless sensor   |
| <b>Emergency</b>      | Integral emergency battery pack or emergency circuit optional.   |
| <b>Input Voltage</b>  | 120V, 277V, 347V, UNV.   |

**i** Incorporating these components may have limitations or affect the length of the luminaire. Please contact factory for more details.

## ● SYSTEM (S#)

BEAM 6 LED linear systems, with the use of a strong profile, allow for a nearly hair thin connection system of continuous runs. Lengths of 4', 8', 12' as well as custom lengths are available. Runs of BEAM 6 LED that are greater than 12' in length are designated as systems (S#). This means that the run is comprised of a combination 4', 8' and/or 12' sections to be assembled on site using our joining system. For more information on systems and joining, please refer to the BEAM installation sheets available for download at [www.axislighting.com](http://www.axislighting.com).

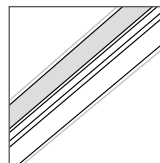
## ● APPROVALS

Certified to UL and CSA standards   
Meets NYC requirements  
Meets CCEC requirements (Chicago plenum)  
Suitable for damp locations  
IC Rated (Insulated ceiling)

## ● WEIGHT

|                          |                    |
|--------------------------|--------------------|
| <b>Recessed LED 4ft</b>  | 16.3 lbs / 7.4 kg  |
| <b>Recessed LED 8ft</b>  | 32.6 lbs / 14.8 kg |
| <b>Recessed LED 12ft</b> | 48.9 lbs / 22.2 kg |

## ● OPTICS

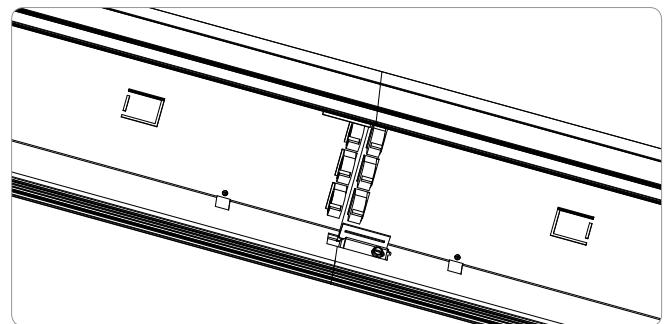
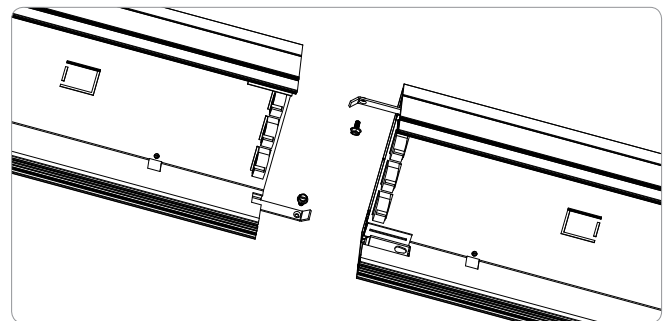


ASO asymmetric with SO lens

**ASYMMETRIC WITH SPOTLESS LENS**  
(acrylic snap-in lens) spotless: 85% trans.

## ● JOINERS

In order to allow very long runs of BEAM 6 luminaires, Axis has developed a number of different joining systems. Special care has been taken to maximize the performance of the joiner for each BEAM option.



**TB JOINER**

**NOTE:** Hang each system segment individually. Do not assemble system prior to hanging.

## ● FINISHES

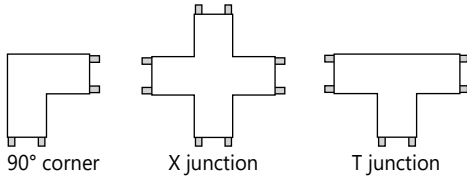
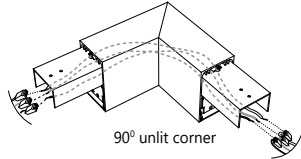
Powder coated and custom finishes are also available.

## ● LED SYSTEM

|                           |   |
|---------------------------|---|
| <b>CRI</b>                | Minimum 80 or 90 color rendering index  |
| <b>CCT</b>                | Choice of 2700K, 3000K, 3500K and 4000K color temperature with a great color consistency (within 3.5-step MacAdam ellipse).   |
| <b>LED life</b>           | Minimum 50,000h with 70% of lumen maintenance in 25°C ambient temperature, in compliance with IES LM-80 testing measurements. |
| <b>Thermal management</b> | Aluminium housing acting as the heat sink to maximize life.   |

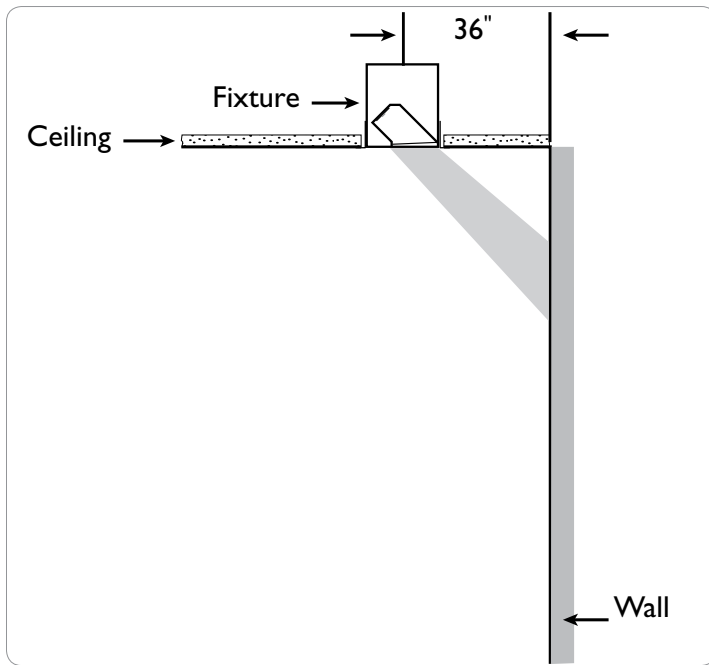
### ● CORNERS

**Unlit Corners** - BEAM 6 LED features a multitude of layout patterns with the use of a number of corners, 90° corner, T or X junctions.



**i** For custom corner angles, please consult factory. Specifications sheets for all corners are available at: [www.axislighting.com](http://www.axislighting.com)

### ● LIGHT WASH



**NOTE:** Recommended distance from the wall - 3 to 4ft.

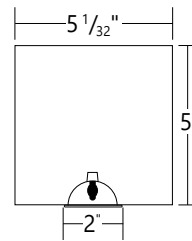
### ● WARRANTY

Axis Lighting will warrant defective LEDs, boards, and drivers for 5 years from date of purchase. Warranty is valid if luminaire is installed and used according to specifications. If defective, Axis will send replacement boards or drivers at no cost along with detailed replacement instructions and instructions on how to return defective components to Axis.

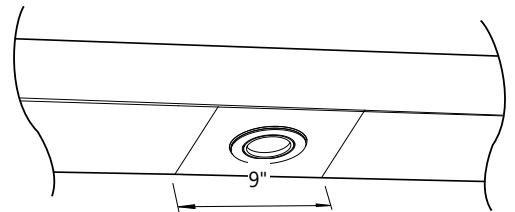
### ● MR 16 LAMP DOWNLIGHT

|                      |  |
|----------------------|--|
| <b>Blank</b>         | Extruded aluminum (0.075" nominal)                                       |
| <b>MR16 Halogens</b> | Adjustable halogen lamp 35W / 50W (by others)                            |
| <b>MR16 LED</b>      | Adjustable LED lamp (provided)   |
| <b>Quantity</b>      | For every 4' lamp section, there may be up to a maximum of 4 downlights. |

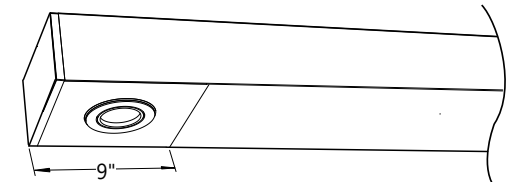
**Spacing** Each MR16 is placed centered on a blank section 9" in length. Within a given section length, a series of downlights will be spaced evenly on a longer blank section. Custom spacing available on special request.



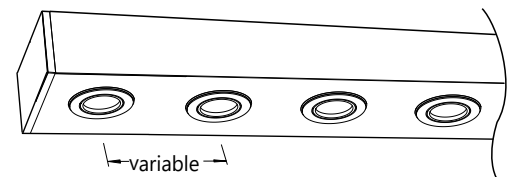
**Between fluorescent lamps sections**



**At luminaire ends**

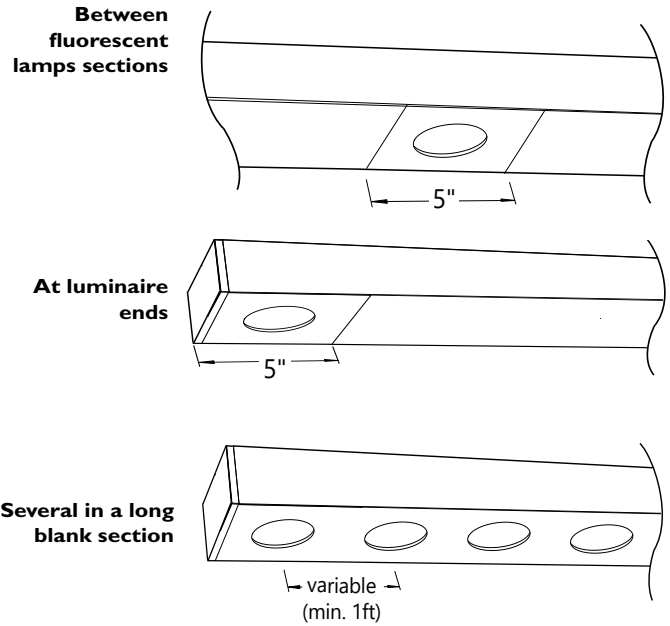
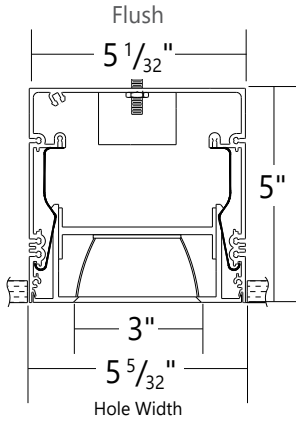


**Several in a long blank section**



### ● LED DOWNLIGHT INSERT

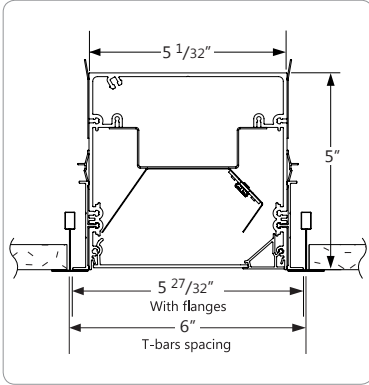
**Blank** Extruded aluminum (0.075" nominal)  
**CB3** 3.0" diameter fixed, 900 or 1500 lumen, 25°, 38°, 55°;  
 3000K, R9 =70, CRI=90, 3 Macadam Ellipse  
**Quantity** Allow minimum 1ft distance between multiple units.



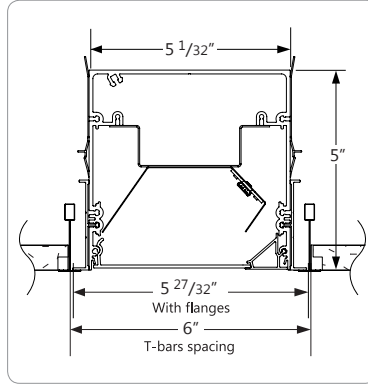
### PERFORMANCE

|       | LUMENS | WATTS     | EFFICACY |
|-------|--------|-----------|----------|
| CB309 | 880    | 11.6 W/ft | 76 lm/W  |
| CB315 | 1550   | 19.1 W/ft | 81 lm/W  |

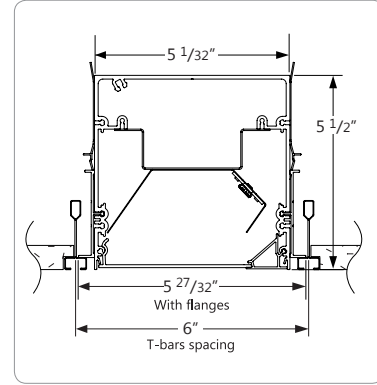
### ● TB CEILING MOUNTING OPTIONS



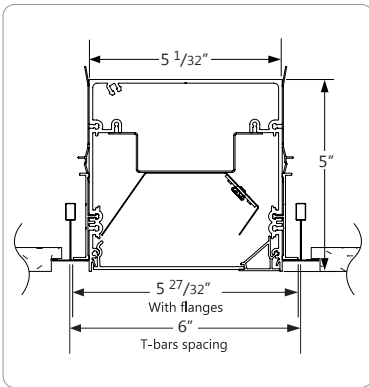
**TB15** 15/16" T-BAR



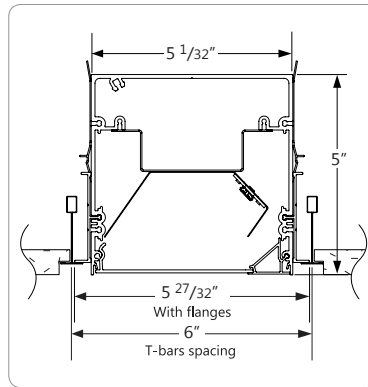
**TB9** 9/16" T-BAR



**ST** SCREW SLOT T-BAR

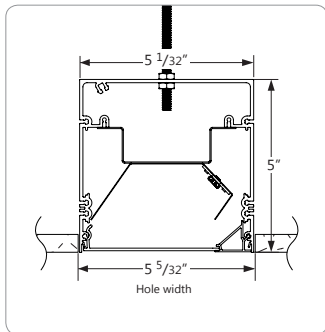


**TG15** 15/16" TEGULAR

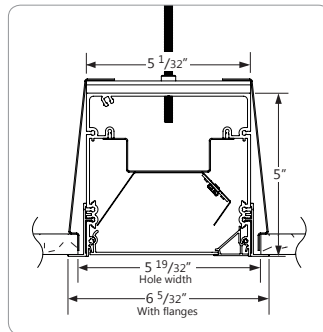


**TG9** 9/16" T-TEGULAR

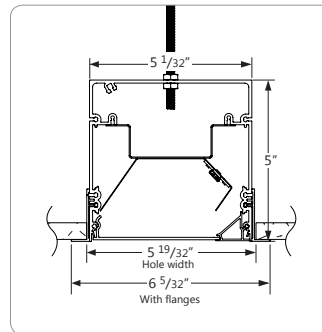
### ● DRYWALL CEILING MOUNTING OPTIONS



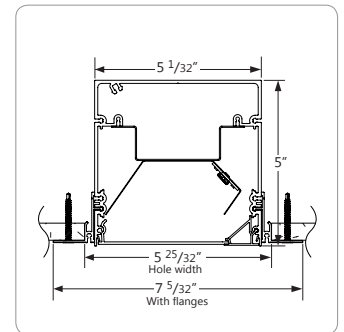
**D** FLANGELESS WITH 1/4-20 STUD MOUNTING



**DB** VISIBLE FLANGES WITH SLIP-THROUGH BRACKET



**DF** VISIBLE FLANGES WITH 1/4-20 STUD MOUNTING



**DS** SPACKLE FLANGES

### ● OTHER MOUNTING OPTIONS

BEAM 6 LED is also available with pendant, surface, wall and recessed wall mounted options.

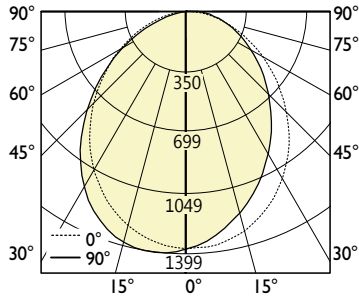
**i** Specification sheets and installation sheets for all mounting for BEAM luminaires are available for download at [www.axislighting.com](http://www.axislighting.com)

### ● PHOTOMETRIC DATA

**750 lm/ft**  
With ASO lens



#### PHOTOMETRIC CURVE



**Luminaire Lumens: 750 lm/ft**  
**Input Watts: 7.5 W/ft**  
**Efficacy: 97 lm/W**  
IES FILE: B6RLED-750-80-35-ASO-4.IES

TESTED ACCORDING TO IES LM-79-2008

#### CANDELA DISTRIBUTION

| Vertical Angle | Horizontal Angles |      |      |      |      |
|----------------|-------------------|------|------|------|------|
|                | 0                 | 22.5 | 45   | 67.5 | 90   |
| 0              | 1184              | 1184 | 1184 | 1184 | 1184 |
| 5              | 1149              | 1149 | 1157 | 1169 | 1180 |
| 15             | 1035              | 1043 | 1063 | 1098 | 1130 |
| 25             | 893               | 902  | 933  | 985  | 1025 |
| 35             | 734               | 744  | 778  | 832  | 880  |
| 45             | 576               | 585  | 617  | 667  | 703  |
| 55             | 430               | 436  | 461  | 499  | 520  |
| 65             | 301               | 304  | 318  | 341  | 344  |
| 75             | 189               | 188  | 191  | 197  | 186  |
| 85             | 94                | 90   | 84   | 79   | 59   |
| 90             | 53                | 49   | 40   | 31   | 9    |

#### ZONAL LUMENS

| Zone  | Lumens |
|-------|--------|
| 0     |        |
| 0-10  | 111    |
| 10-20 | 315    |
| 20-30 | 462    |
| 30-40 | 530    |
| 40-50 | 515    |
| 50-60 | 432    |
| 60-70 | 308    |
| 70-80 | 171    |
| 80-90 | 53     |
| 90    |        |

#### LUMINANCE DATA (cd/m<sup>2</sup>)

| Vertical Angle | Horizontal Angles |      |      |
|----------------|-------------------|------|------|
|                | 0                 | 45   | 90   |
| 45             | 6674              | 7149 | 8145 |
| 55             | 6142              | 6585 | 7427 |
| 65             | 5835              | 6165 | 6669 |
| 75             | 5983              | 6046 | 5888 |
| 85             | 8836              | 7896 | 5546 |

**i** All IES files for other lamping are available for download at: [www.axislighting.com](http://www.axislighting.com)