

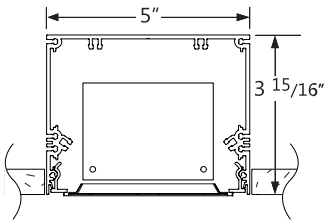
Adjustable Downlight

Project _____

Type _____

Notes _____

Adjustable Downlight



Configuration drawing required.



TECHZONE™ AND LOGIX™ COMPATIBLE for more info see page 2



Ordering Guide

B6RAD		ADJUSTABLE DOWNLIGHT MODULE QTY		CRI	COLOR TEMP.	BEAM SPREAD	DOWNLIGHT FINISH
PRODUCT ID	ADM(#)	Beam 6 recessed with adjustable downlight	adjustable LED downlight module quantity	90 90 CRI	27 2700 K 30 3000 K 35 3500 K 40 4000 K	15D 15 deg 36D 36 deg 60D 60 deg	BLK black W white
* Distance between downlight is minimum 12". available in 90CRI., 35° adjustability. Compatible with DP driver only. See page 2 for more details.							

LENGTH	FINISH	VOLTAGE	DRIVER	CIRCUITS
2 2'	W white	120 120 V	DP dimming (0-10V) 1%	1 1 circuit
3 3'	C custom	277 277 V		
4 4'		347 347 V ⁽⁵⁾		
5 5'		UNV universal		
6 6'				
8 8'				
12 12'				
S# system run				
(5) D dimming (0-10V) 5% standard				

MOUNTING	BATTERY (OPTIONAL)	OTHER (OPTIONAL)	IC CONTROLS (OPTIONAL)	CUSTOM (OPTIONAL)
TB9 t-bar 9/16" TB15 t-bar 15/16" ST screw slot t-bar TG9 tegular 9/16" TG15 tegular 15/16" DF drywall flange D drywall flangeless DB slip-through bracket DS drywall spackle flange	B# battery pack 4' sections	F fuse* EF end feed FW(#) flex whip (6' std)** CP Chicago plenum HD hold down clip*** AR air return plate*** SR sprinkler plate*** SPK speaker plate***	DS# daylight sensor OS# occupancy sensor DOS# daylight & occupancy sensor EN# Enlighted integral* ENR# Enlighted remote** WC# wireless control dimming	C custom
	Please consult factory	* Requires 120V or 277V ** Specify quantity *** Only available for t-bar mounting	* For flush and recessed option only; Please consult factory ** Please consult factory Specify quantity. Requires 8" blank See integrated controls guide for more details.	Please specify

● **LED SYSTEM**

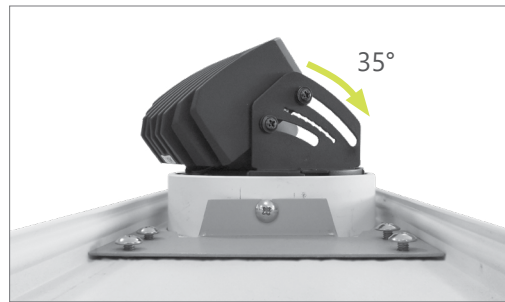
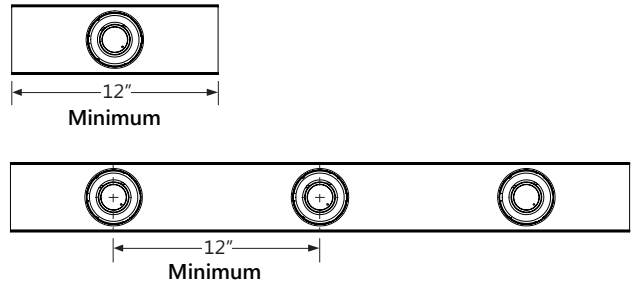
CRI	Minimum 80 or 90 color rendering index
CCT	Choice of 2700K, 3000K, 3500K and 4000K color temperature with a great color consistency (within 3.5-step MacAdam ellipse).
LED life	Minimum 50,000h with 70% of lumen maintenance in 25°C ambient temperature, in compliance with IES LM-80 testing measurements.
Thermal management	Aluminium housing acting as the heat sink to maximize life.

i More options are available upon request. Please consult factory.

● **WARRANTY**

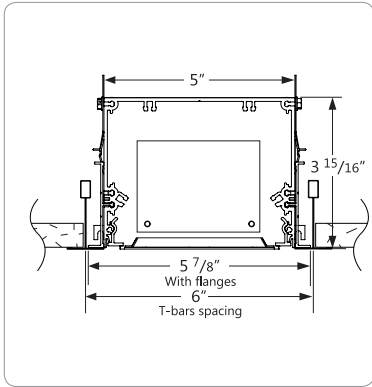
Axis Lighting will warrant defective LEDs, boards, and drivers for 5 years from date of purchase. Warranty is valid if luminaire is installed and used according to specifications. If defective, Axis will send replacement boards or drivers at no cost along with detailed replacement instructions and instructions on how to return defective components to Axis.

● **ADJUSTABLE DOWNLIGHT**

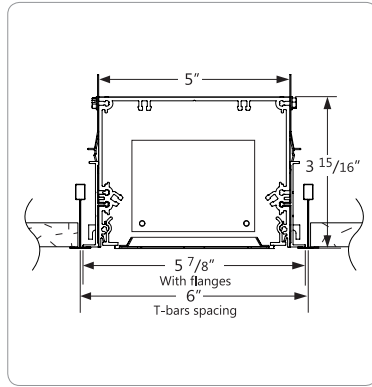


35 degree adjustability

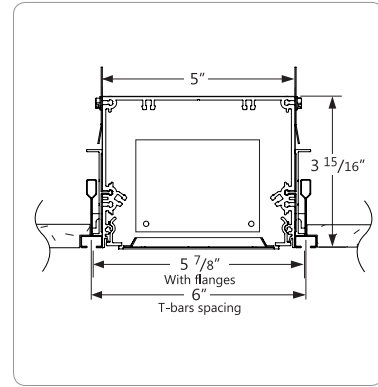
● TB CEILING MOUNTING OPTIONS



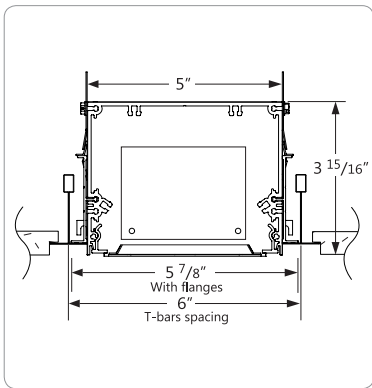
TB15 15/16" T-BAR



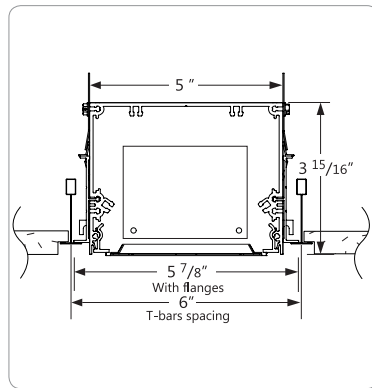
TB9 9/16" T-BAR



ST SCREW SLOT T-BAR

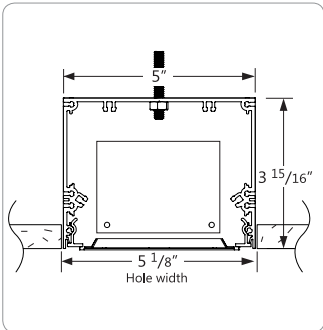


TG15 15/16" TEGULAR

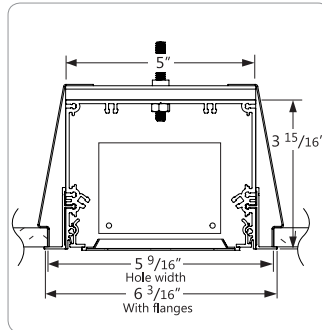


TG9 9/16" T-TEGULAR

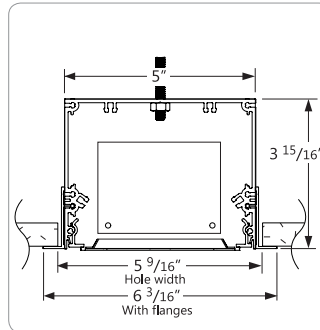
● DRYWALL CEILING MOUNTING OPTIONS



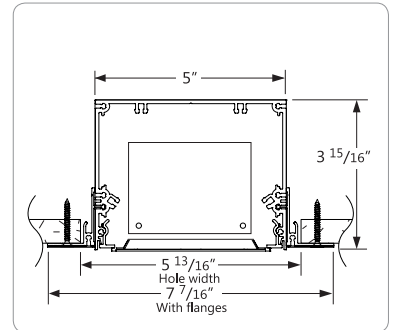
D FLANGELESS WITH
1/4-20 STUD MOUNTING



DB VISIBLE FLANGES WITH
SLIP-THROUGH BRACKET



DF VISIBLE FLANGES WITH
1/4-20 STUD MOUNTING



DS SPACKLE FLANGES

PHOTOMETRIC DATA FOR LED DOWNLIGHT INSERT

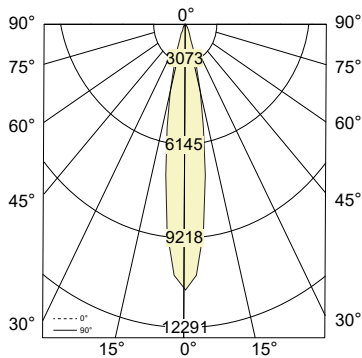
PERFORMANCE

	LUMENS	WATTS	EFFICACY
ADM15 - NARROW	1717	21.01 W/ft	82 lm/W
ADM36 - MEDIUM	1550	21.01 W/ft	89 lm/W
ADM60 - WIDE	1550	21.01 W/ft	95 lm/W

ADM15 - NARROW

Narrow 12" diameter Plate with cob adj 15deg

PHOTOMETRIC CURVE



ACTUAL LUMEN: 1717 lm
INPUT WATTS: 21.01 W
EFFICACY: 82 lm/W
CRI: 90

IES FILE: ADM15-NARROW.ies

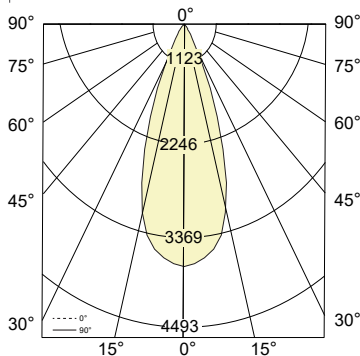
CANDELA DISTRIBUTION

Vertical Angle	Horizontal Angles				
	0	22.5	45	67.5	90
0	12291	12291	12291	12291	12291
5	9640	9651	9602	9604	9653
10	4854	4920	4951	4978	5009
15	1991	2009	1998	1998	2011
20	732	737	724	706	701
25	348	350	351	353	353
30	203	206	211	214	215
35	141	143	147	150	151
40	106	108	111	112	114
45	76	78	78	78	78
50	36	37	37	36	36

ADM36 - MEDIUM

Medium 12" diameter Plate with cob adj 36deg

PHOTOMETRIC CURVE



ACTUAL LUMEN: 1865 lm
INPUT WATTS: 21.01 W
EFFICACY: 89 lm/W
CRI: 90

IES FILE: ADM36-MEDIUM.ies

CANDELA DISTRIBUTION

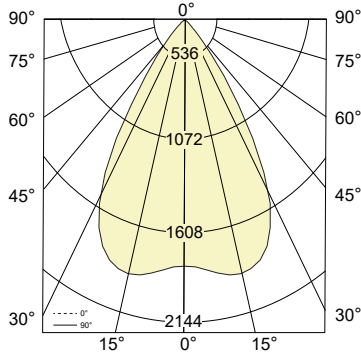
Vertical Angle	Horizontal Angles				
	0	22.5	45	67.5	90
0	4493	4493	4493	4493	4493
5	4347	4375	4375	4373	4398
10	3966	4000	3994	3986	4051
15	3041	3092	3108	3104	3182
20	1820	1871	1910	1927	1976
25	809	852	900	932	943
30	311	328	353	375	373
35	154	162	173	179	178
40	100	101	104	105	106
45	61	63	65	66	66
50	29	31	33	35	35

● **PHOTOMETRIC DATA FOR LED DOWNLIGHT INSERT**

AMD60 - WIDE

Wide 12" diameter Plate with cob adj 60deg

PHOTOMETRIC CURVE



ACTUAL LUMEN: 1992 lm
INPUT WATTS: 21.01 W
EFFICACY: 95 lm/W
CRI: 90

IES FILE: ADM60-WIDE.ies

CANDELA DISTRIBUTION

Vertical Angle	Horizontal Angles				
	0	22.5	45	67.5	90
0	2029	2029	2029	2029	2029
5	2072	2072	2073	2074	2067
10	2129	2132	2135	2136	2135
15	2103	2109	2112	2116	2123
20	1950	1957	1963	1965	1985
25	1606	1617	1627	1632	1667
30	1045	1058	1071	1077	1126
35	524	527	533	535	566
40	238	238	240	241	253
45	106	107	107	108	113
50	42	43	44	45	46