



# RECESSED ASYMMETRIC MOUNT

## PROJECT INFORMATION

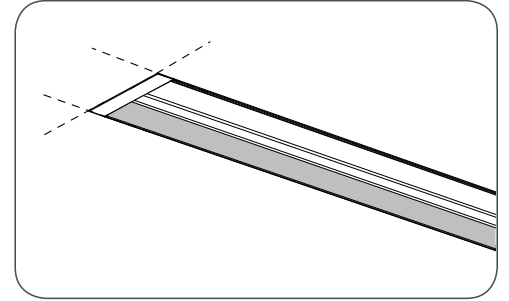
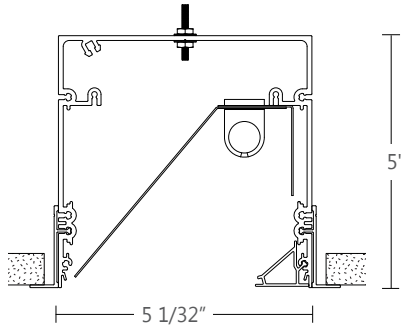
Project:

Type:

Notes:

## DIMENSIONS

### SECTION VIEWS



TECHZONE™ AND LOGIX™ COMPATIBLE  
 for more info see page 5

## ORDERING CODE

1	2	3	4	5	6	7	8	9	10	11	12	13	14	15	16
---	---	---	---	---	---	---	---	---	----	----	----	----	----	----	----

## PRODUCT SPECIFICATIONS

1 PRODUCT ID	2 OPTICS DIRECT	3 LENGTH	4 SPECIFY LENGTH	5 LAMP	6 LAMP CONFIGURATION
<b>B6R</b> recessed	<b>A</b> asymmetric	<b>2</b> 2' <b>3</b> 3' <b>4</b> 4' <b>5</b> 5' <b>6</b> 6' <b>8</b> 8' <b>12</b> 12' <b>S#</b> System Run	<b>NL</b> nominal (3' & 4' lamps) <b>NL4</b> nominal (4' lamps only) <b>EX</b> exact (3' & 4' lamps) <b>EX4</b> exact (4' lamps only)	<b>T5</b> T5 <b>T5HO</b> T5HO <b>T8</b> T8 <sup>(1)</sup>	<b>1</b> 1 lamp
For other lens options, please consult factory				(1) Not available in TB	

7 MR/DOWNLIGHT	8 FINISH	9 VOLTAGE	10 BALLAST	11 CIRCUITS
<b>CB31525#</b> Fixed LED 3" dia 1500lm 25deg <b>CB31538#</b> Fixed LED 3" dia 1500lm 38deg <b>CB31555#</b> Fixed LED 3" dia 1500lm 55deg <b>CB30925#</b> Fixed LED 3" dia 900lm 25deg <b>CB30938#</b> Fixed LED 3" dia 900lm 38deg <b>CB30955#</b> Fixed LED 3" dia 900lm 55deg <b>M16#</b> Adj. MR 16 halogen lamp (by others) <b>M16LED#</b> Adj. MR 16 LED lamp (provided)	<b>W</b> white <b>C</b> custom	<b>120</b> 120V <b>277</b> 277V <b>347</b> 347V <sup>(2)</sup> <b>UNV</b> universal	<b>D</b> dimming <b>E</b> instant start <sup>(3)</sup> <b>ERS</b> program start <b>BI</b> bi-level dimming	<b>1</b> 1 regular <b>2A/B</b> 2 alternating <b>+E(#)</b> emergency section <b>+NL(#)</b> night light section <b>+GTD(#)</b> generator transfer device <b>+M</b> MR
Add 9" per lamp Add 6" per downlight Requires 120V or 277V		(2) Please consult factory	(3) Available with T8 lamp only	

12 MOUNTING/SUSPENSION	13 BATTERY (OPTIONAL)	14 OTHER (OPTIONAL)	15 IC CONTROLS (OPTIONAL)	16 CUSTOM (OPTIONAL)
<b>TB9</b> t-bar 9/16" <b>TB15</b> t-bar 15/16" <b>ST</b> screw slot t-bar <b>TG9</b> tegular 9/16" <b>TG15</b> tegular 15/16" <b>DF</b> drywall flange <b>D</b> drywall flangeless <b>DB</b> slip-through bracket <b>DS</b> drywall spackle flange	<b>B#</b> battery pack 4' sections	<b>F</b> fuse <b>EF</b> end feed <b>CP</b> Chicago plenum <b>FW(#)</b> flex whip (6' std)	<b>DS#</b> daylight sensor <b>OS#</b> occupancy sensor <b>DS+OS#</b> daylight+occupancy sensor <b>DOS#</b> daylight&occupancy sensor	<b>C</b> custom
			See integrated controls guide for further details	Please specify

## ● CONSTRUCTION

<b>Housing</b>	Extruded Aluminum (0.095" nominal) 70% Recycled Content
<b>Interior Brackets</b>	Die Formed Sheet Steel (18 ga)
<b>Reflectors</b>	White Powder Coated Sheet Steel (22 ga)
<b>Blank</b>	Extruded Aluminum (0.075" nominal)
<b>Lenses</b>	Extruded Acrylic (0.070" nominal) Frosted: 85% trans.
<b>T-Bar Bracket</b>	Die Formed Sheet Steel (16 ga)
<b>Screw Slot T-Bar Bracket</b>	Die Formed Sheet Steel (16 ga)
<b>Slip-Through Bracket</b>	Die Formed Sheet Steel (18 ga)
<b>Spackle Flange</b>	Die Formed Perforated Sheet Steel (20 ga)
<b>Flange</b>	Extruded Aluminum (0.075" nominal) visible flange width: 9/16"

## ● WEIGHT

<b>4 ft</b>	16.3 lbs / 7.4 kg
<b>8 ft</b>	32.6 lbs / 14.8 kg
<b>12 ft</b>	48.9 lbs / 22.2 kg

## ● SYSTEM (S#)

BEAM 6 linear systems, with the use of a strong profile, allow for a nearly hair thin connection system of continuous runs. Lengths of 4', 8', 12' as well as custom lengths are available. Runs of BEAM 6 that are greater than 12' in length are designated as systems (S#). This means that the run is comprised of a combination 4', 8' and/or 12' sections to be assembled on site using our joining system. For more information on systems and joining, please refer to the BEAM installation sheets available for download at [www.axislighting.com](http://www.axislighting.com).

## ● ELECTRICAL

**Ballast** Electronic IS, Electronic Rapid Start, Dimming (0-10V, Line, EcoSystem, DALI), BI-level dimming  
With preinstalled ballast disconnect as per NEC & CEC

**Emergency** Emergency battery pack or emergency circuit

**Voltage** 120V, 277V, 347V, UNV

**i** Incorporating these components may have limitations or effect the length of the luminaire, please contact factory for more details.

## ● FINISH

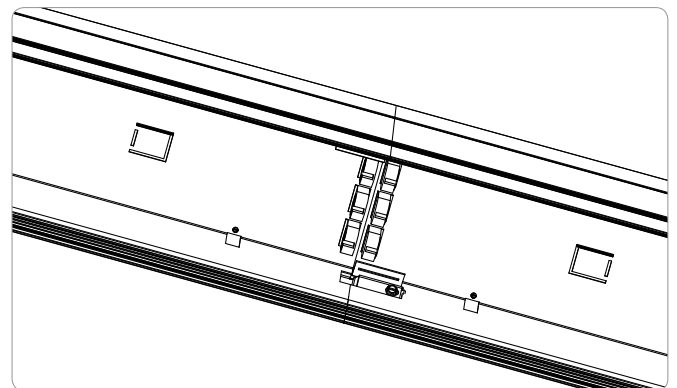
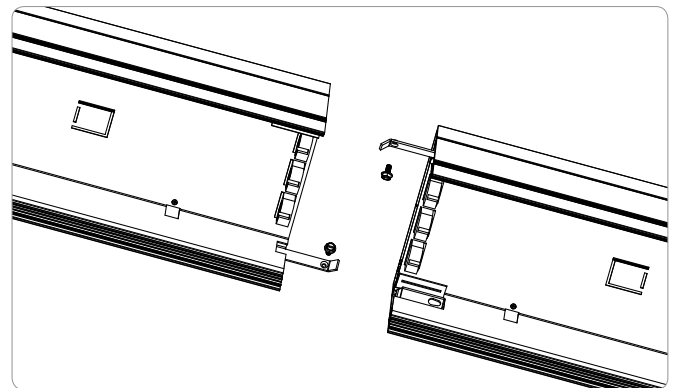
Aluminium paint, Powder Coated and custom finishes are also available.

## ● APPROVALS

Certified to UL and CUL standards   
 Meets NYC requirements  
 Meets CCEC requirements (Chicago plenum)  
 Suitable for damp locations.  
 IC Rated (Insulated ceiling)

## ● JOINERS

In order to allow very long runs of BEAM 6 luminaires, Axis has developed a number of different joining systems. Special care has been taken to maximize the performance of the joiner for each BEAM option.



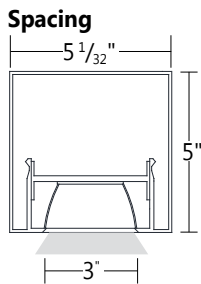
**TB JOINER**

**NOTE:** Hang each system segment individually. Do not assemble system prior to hanging.

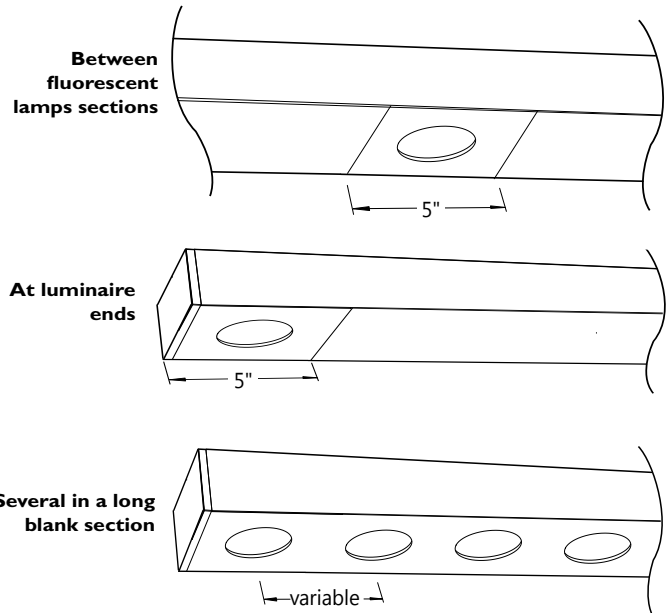
## ● CHIP ON BOARD (CB)

- Blank** Extruded Aluminum (0.075" nominal)
- CB3** 3.0" diameter fixed, 900 or 1500 lumen, 25°, 38°, 55°; 3000K, R9 =70, CRI=90, 3 Macadam Ellipse

**Quantity** For every 4' lamp section, there may be up to a maximum of 4 chip on board (CB) downlights.



**Spacing** Each CB downlight is placed centered on a blank section 5" in length. Within a given section length, a series of downlights will be spaced evenly on a longer blank section. Custom spacing available on special request.

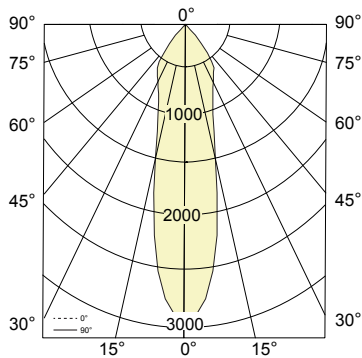


## ● PHOTOMETRIC DATA FOR CHIP ON BOARD (CB) DOWNLIGHT

### CB31525#

Fixed LED 3" diameter 1500lm 25deg

#### PHOTOMETRIC CURVE



**ACTUAL LUMEN: 1552 lm**  
**INPUT WATTS: 19.1 W**  
**EFFICACY: 81 lm/W**  
 IES FILE: CB31525.ies

#### CANDELA DISTRIBUTION

Vertical Angle	Horizontal Angles					Zonal Lumens
	0	22.5	45	67.5	90	
0	2879	2879	2879	2879	2879	
5	2670	2670	2670	2670	2670	237
10	2071	2071	2071	2071	2071	
15	1323	1323	1323	1323	1323	374
20	921	921	921	921	921	
25	737	737	737	737	737	343
30	635	635	635	635	635	
35	562	562	562	562	562	349
40	466	466	466	466	466	
45	259	259	259	259	259	197
50	68	68	68	68	68	

### CB30925#

Fixed LED 3" diameter 900lm 25deg

**ACTUAL LUMEN: 876 lm**  
**INPUT WATTS: 11.6 W**  
**EFFICACY: 76 lm/W**  
 IES FILE: CB30925.ies

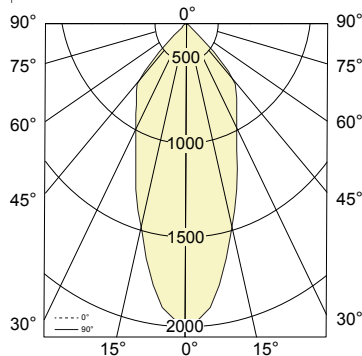
**i** All IES files are available for download at: [www.axislighting.com](http://www.axislighting.com)

● **PHOTOMETRIC DATA FOR CHIP ON BOARD (CB)**

### CB31538#

Fixed LED 3" diameter 1500lm 38deg

#### PHOTOMETRIC CURVE



**ACTUAL LUMEN: 1554 lm**  
**INPUT WATTS: 19.1 W**  
**EFFICACY: 81 lm/W**  
 IES FILE: CB31538.ies

#### CANDELA DISTRIBUTION

Vertical Angle	Horizontal Angles					Zonal Lumens
	0	22.5	45	67.5	90	
0	1999	1999	1999	1999	1999	
5	1897	1897	1897	1897	1897	172
10	1586	1586	1586	1586	1586	
15	1284	1284	1284	1284	1284	357
20	1026	1026	1026	1026	1026	
25	823	823	823	823	823	382
30	693	693	693	693	693	
35	602	602	602	602	602	377
40	526	526	526	526	526	
45	265	265	265	265	265	204
50	43	43	43	43	43	

### CB30938#

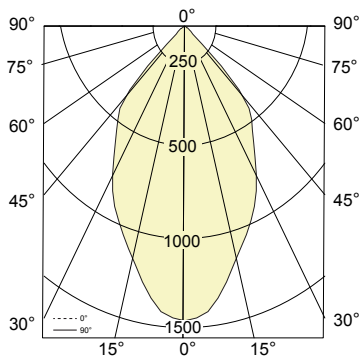
Fixed LED 3" diameter 900lm 38deg

**ACTUAL LUMEN: 878 lm**  
**INPUT WATTS: 11.6 W**  
**EFFICACY: 76 lm/W**  
 IES FILE: CB30938.ies

### CB31555#

Fixed LED 3" diameter 1500lm 55deg

#### PHOTOMETRIC CURVE



**ACTUAL LUMEN: 1559 lm**  
**INPUT WATTS: 19.1 W**  
**EFFICACY: 82 lm/W**  
 IES FILE: CB31555.ies

#### CANDELA DISTRIBUTION

Vertical Angle	Horizontal Angles					Zonal Lumens
	0	22.5	45	67.5	90	
0	1485	1485	1485	1485	1485	
5	1444	1444	1444	1444	1444	135
10	1309	1309	1309	1309	1309	
15	1161	1161	1161	1161	1161	325
20	1043	1043	1043	1043	1043	
25	913	913	913	913	913	416
30	760	760	760	760	760	
35	638	638	638	638	638	400
40	539	539	539	539	539	
45	278	278	278	278	278	214
50	57	57	57	57	57	

### CB30955#

Fixed LED 3" diameter 900lm 55deg

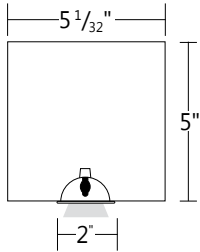
**ACTUAL LUMEN: 879 lm**  
**INPUT WATTS: 11.6 W**  
**EFFICACY: 76 lm/W**  
 IES FILE: CB30955.ies

**i** All IES files are available for download at: [www.axislighting.com](http://www.axislighting.com)

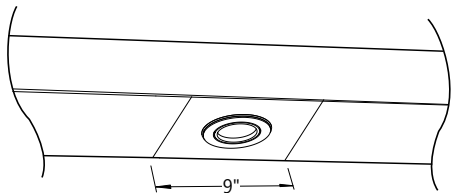
● **MR**

- Blank** Extruded Aluminum (0.075" nominal)
- MR16 Halogens** 2.0" diameter (35W / 50W)
- MR16 LED** 2.0" diameter adjustable
- Quantity** For every 4' lamp section, there may be up to a maximum of 4 downlights.

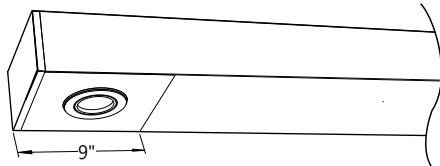
**Spacing** Each MR16 is placed centered on a blank section 9" in length. Within a given section length, a series of downlights will be spaced evenly on a longer blank section. Custom spacing available on special request.



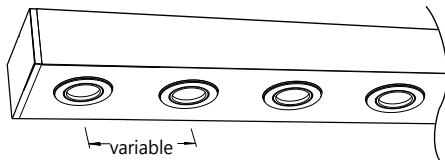
**Between fluorescent lamps sections**



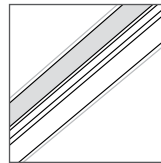
**At luminaire ends**



**Several in a long blank section**

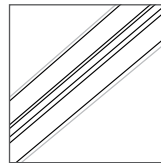


● **OPTICS**



AF asymmetric frosted

**ASYMMETRIC FROSTED LENS**  
 (acrylic snap-in lens)  
 frosted: 85% trans.



A asymmetric

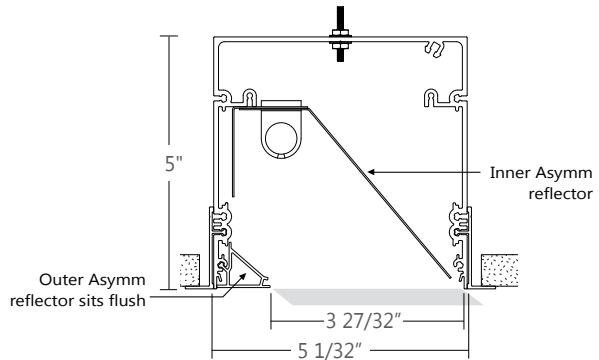
**ASYMMETRIC NO LENS**  
 (asymmetric reflector)

● **ASYMMETRIC**

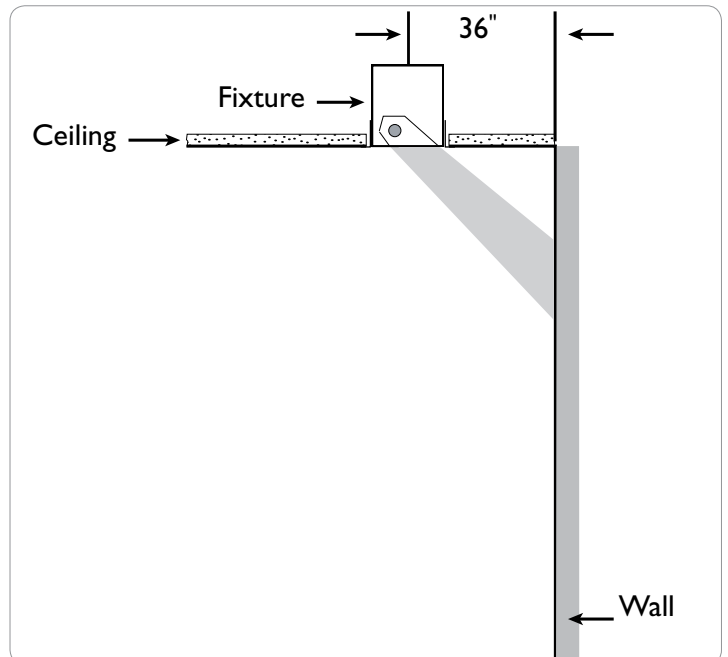
**Inner Asymmetric Reflector**

Die Formed Specular Aluminum (22 gauge)  
 Extruded Aluminum (0.075" nominal)

**Outer Asymmetric Reflector**



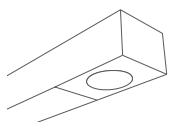
● **LIGHT WASH**



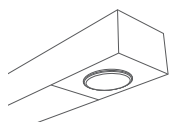
**NOTE:** Recommended distance away from the wall would be 3 to 4ft.

● **TECHZONE™ AND LOGIX™**

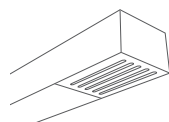
Integrated contiguous modules for PA speakers, Air Returns and Sprinkler Heads are available for our recessed Beam products to add a consistent linear system to complete the illuminated portion.



**SPK** SPEAKER

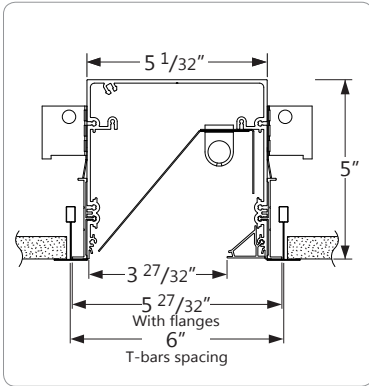


**SR** SPRINKLER

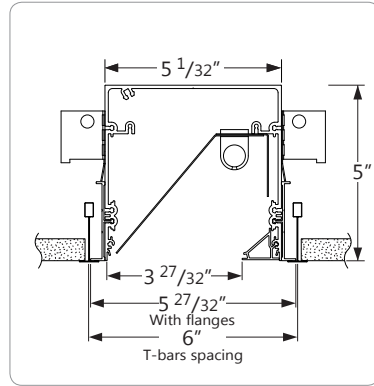


**AR** AIR RETURN

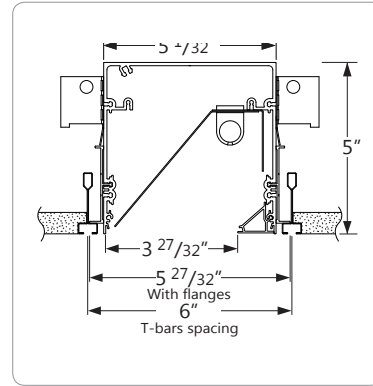
● **TB CEILING MOUNTING OPTIONS**



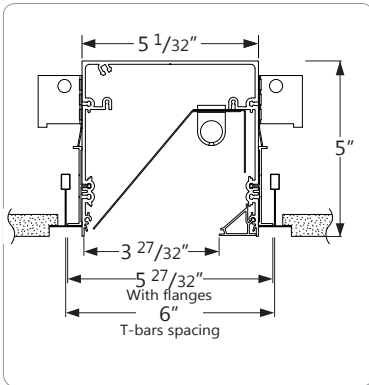
**TB15** 15/16" T-BAR



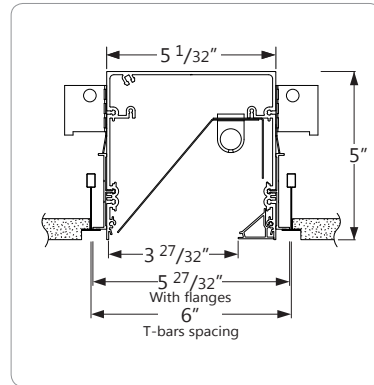
**TB9** 9/16" T-BAR



**ST** SCREW SLOT T-BAR

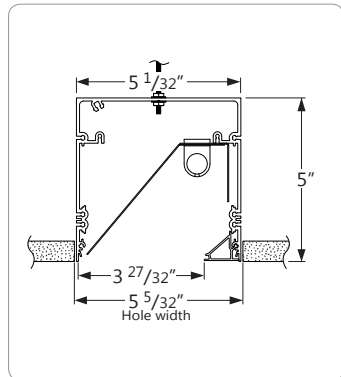


**TG15** 15/16" TEGULAR

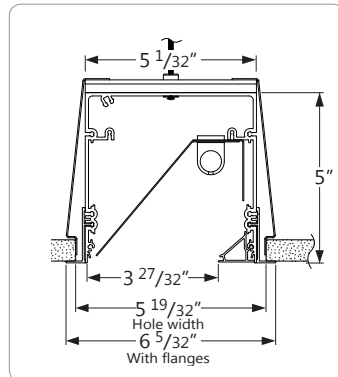


**TG9** 9/16" TEGULAR

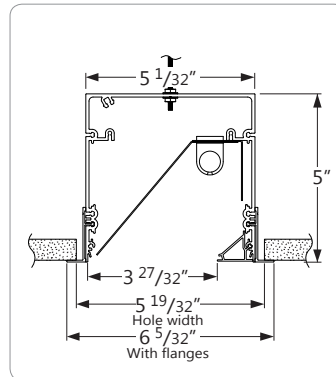
● **DRYWALL CEILING MOUNTING OPTIONS**



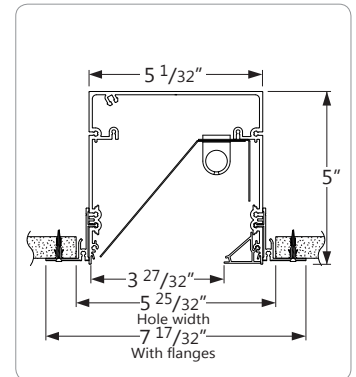
**D** FLANGELESS WITH 1/4-20 STUD MOUNTING



**DB** VISIBLE FLANGES WITH SLIP-THROUGH BRACKET



**DF** VISIBLE FLANGES WITH 1/4-20 STUD MOUNTING

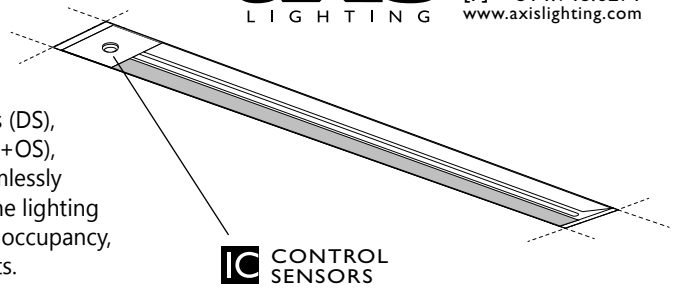


**DS** SPACKLE FLANGES

● **OTHER MOUNTING OPTIONS**

BEAM 6 is also available with pendant, surface, wall, recessed wall and wall wash mounted options.

**i** Specification sheets and Installation sheets for all mounting for BEAM luminaires are available for download at [www.axislighting.com](http://www.axislighting.com)



## ● INTEGRATED CONTROL OPTIONS

BEAM 6 luminaires allow the use of integrated controls such as daylight sensors (DS), occupancy sensors (OS), individual daylight sensors and occupancy sensors (DS+OS), and combination daylight/occupancy sensors (DOS). These options can be seamlessly integrated into our luminaires. The control system could be used to optimize the lighting of the space by reducing energy consumption through daylight harvesting and occupancy, thereby improving the overall interior environment and allowing for LEED credits.

- Consult factory for other options.
- Refer to IC brochure for more information.

SENSORS	BRAND	Model	TYPE	CODE	COMPATIBLE DIMMING BALLAST
Daylight Sensor (DS)	Lutron	EC-DIR-WH	Daylight	LD	EcoSystem
	Wattstopper	FD-301	Daylight	WD	0-10V
	Philips	Luxsense	Daylight	PL	0-10V
Occupancy Sensor (OS)	Wattstopper	FS-205	PIR Occupancy	WP1	Programmed Rapid Start
		FS-355	PIR Occupancy	WP2	Programmed Rapid Start
		FM-105	High Frequency Occupancy	WH	Programmed Rapid Start
Daylight & Occupancy Sensors (DOS)	Philips	Actilume	Daylight & PIR Occupancy	PA	DALI or 0-10V