

Project \_\_\_\_\_

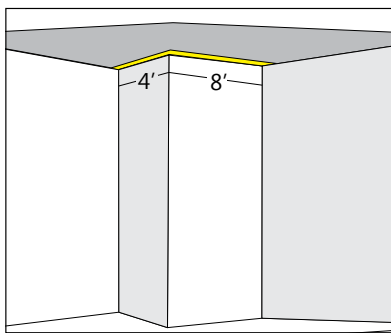
Type \_\_\_\_\_

Notes \_\_\_\_\_

### PERFORMANCE PER LINEAR FOOT AT 4000K

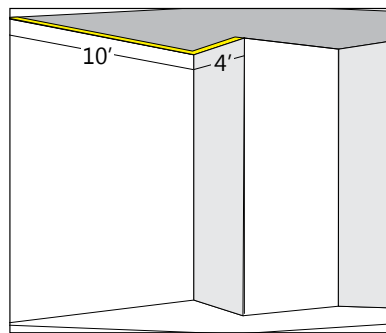
NOMINAL LUMEN OUTPUT	INPUT WATTS*	EFFICACY
400 lm/ft	3.6 W/ft	111 lm/W
500 lm/ft	4.6 W/ft	108 lm/W
750 lm/ft	7.4 W/ft	101 lm/W
1000 lm/ft	10.3 W/ft	97 lm/W

\* Based on a 4 foot luminaire using one driver  
Please consult factory for custom lumen output and wattage.



B6PRLED	OPRO (1)	12'
<b>PRODUCT ID</b>	<b>LINEAR OR CORNER QTY</b>	<b>TOTAL LENGTH</b>

3D VIEW - Outside Corner Pattern



B6PRLED	OPRI (1)	14'
<b>PRODUCT ID</b>	<b>LINEAR OR CORNER QTY</b>	<b>TOTAL LENGTH</b>

3D VIEW - Inside Corner Pattern



cULus Listed  
Type I.C.



## Ordering Guide

B6PRLED		CORNER QUANTITY (OPTIONAL)		NOM. LUMENS/FT		CRI		COLOR TEMP.		SHIELDING	
PRODUCT ID	Perimeter	OPRO(#)	open shape recessed outside lit corner	300	300 lm/ft - Minimum	80	80 CRI	27	2700 K	FL	flush
	Recessed LED	+OPRI(#)	open shape recessed inside lit corner	1000	1000 lm/ft - Maximum	90	90 CRI	30	3000 K	RG2	recessed 2"
								35	3500 K	RG3	recessed 3"
								40	4000 K	RG6	recessed 6"

Outputs between listed min and max are available. Consult factory for outputs outside of the listed range.

TOTAL LENGTH	FINISH	VOLTAGE	DRIVER	CIRCUITS	MOUNTING	TYPE (OPTIONAL)
# total length	W white C custom	120 120 V 277 277 V 347 347 V (1) UNV universal	DP dimming (0-10V) 1% D dimming (0-10V) 5% 347V standard (2) LT Lutron (3) BI bi-level dimming O other (4)	1 1 circuit 2 2 circuits +E(#) emergency circuit (5) +NL(#) night light circuit (5) +GTD(#) generator transfer device (5)	TB9 t-bar 9/16" TB15 t-bar 15/16" ST screw slot t-bar TG9 tegular 9/16" DF drywall flange DS drywall spackle flange	TS(#) telescopic sections
Min total length 2'		(1) D dimming (0-10V) 5% standard	(2) For 347V only (3) Specify system (4) Please consult factory; see page 2	(5) Specify quantity		Telescopic section is minimum 4'. Recommended for longer runs or if exact perimeter length is not available.

BATTERY (OPTIONAL)	OTHER (OPTIONAL)	CUSTOM (OPTIONAL)
B# battery pack 4' sections	F fuse (6) EF end feed FW(#) flex whip (6' std) CP Chicago plenum	C custom
Requires 120V or 277V Please consult factory	(6) Requires 120V or 277V	Please specify

### ● SPECIFICATIONS

#### CONSTRUCTION

<b>Housing</b>	Extruded aluminum (0.075" nominal) Up to 70% recycled content
<b>Interior Brackets</b>	Die formed sheet steel (18 gauge)
<b>Reflectors</b>	White powder coated sheet steel (22 gauge)
<b>Blank</b>	Extruded aluminum (0.075" nominal)
<b>Lens</b>	Spotless frosted acrylic lens
<b>T-Bar Bracket</b>	Die formed sheet steel (16 gauge)
<b>Screw Slot T-Bar Bracket</b>	Die formed sheet steel (16 gauge)
<b>Spackle Flange</b>	Extruded aluminum (0.070")
<b>All Flanges</b>	Extruded aluminum (0.075" nominal)

### ● ELECTRICAL

<b>Lutron driver*</b>	L3D - Hi-Lume A-Series EcoSystem 3-Wire Control (1%) LDE1 - EcoSystem H-Series (1%) LDE5 - EcoSystem 5-Series (5%) LTE - Hi-Lume® A-series 2Wires Forward Phase (1%) *Consult factory
<b>Other drivers</b>	DALI - Digital Addressable Lighting Interface DMX - Digital Multiplex LV - line voltage - Advance Mark 10 Xitanium SR - For wireless sensor
<b>Emergency</b>	Integral emergency battery pack or emergency circuit optional.
<b>Input Voltage</b>	120V, 277V, 347V, UNV.

**i** Incorporating these components may have limitations or affect the length of the luminaire. Please contact factory for more details.

### ● APPROVALS

Certified to UL and CSA standards  
Meets CEC requirements (Chicago plenum)  
Meets NYC requirements  
Suitable for damp locations  
IC Rated (Insulated ceiling)



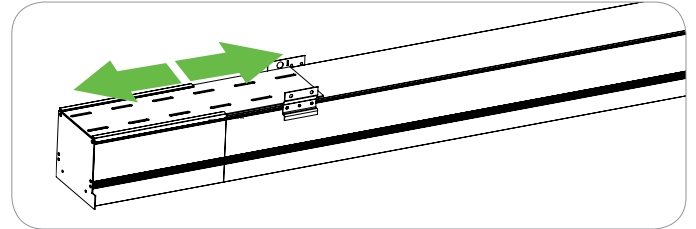
### ● Options

OUTPUT	CRI	COLOR TEMP.	SHIELDING	LENGTH	FINISH	VOLTAGE	DRIVER
400 lm/ft	80	3000 K	FL	2'	white	universal	DP
650 lm/ft		3500 K	RG2	3'			
850 lm/ft		4000 K	RG3	4'			
			RG6	5'			
				6'			
				8'			
				12'			

### ● 8" TELESCOPIC ADJUSTMENT

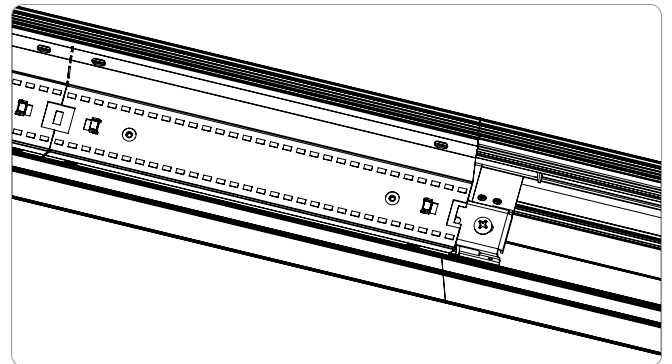
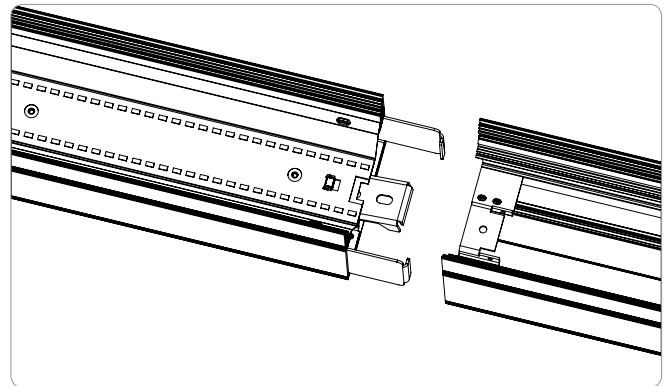
BEAM6 LED Perimeter system feature a patented telescopic sliding LED board design that allows runs to be field cut to facilitate installation and specification.

**NOTE:** Miter saw with aluminum cutting blade required on site for telescopic adjustments.



### ● JOINERS

BEAM6 Perimeter LED has steel joiners with wedge alignment for easy installation.



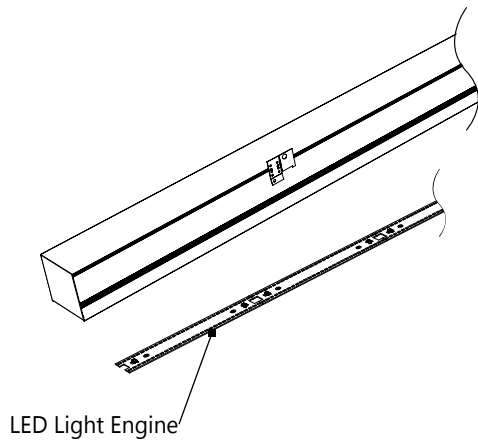
### JOINER SYSTEM

### ● WEIGHT

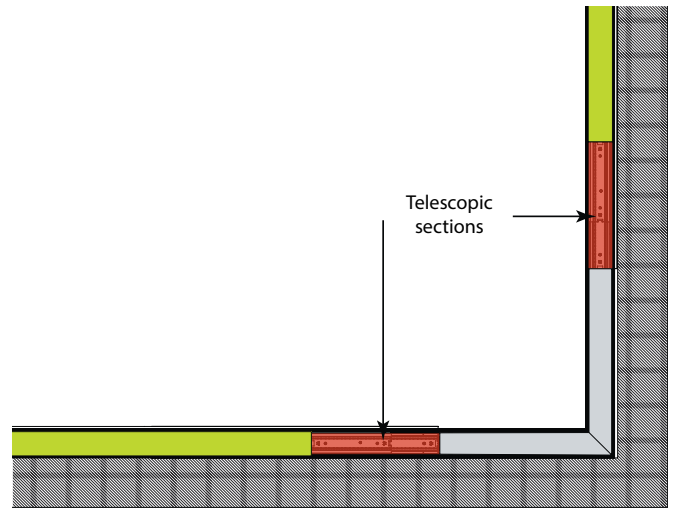
<b>Perimeter LED 4 ft</b>	14.5 lbs / 6.6 kg
<b>Perimeter LED 8 ft</b>	29.0 lbs / 13.2 kg
<b>Perimeter LED 12 ft</b>	43.5 lbs / 19.7 kg

● **LED SYSTEM**

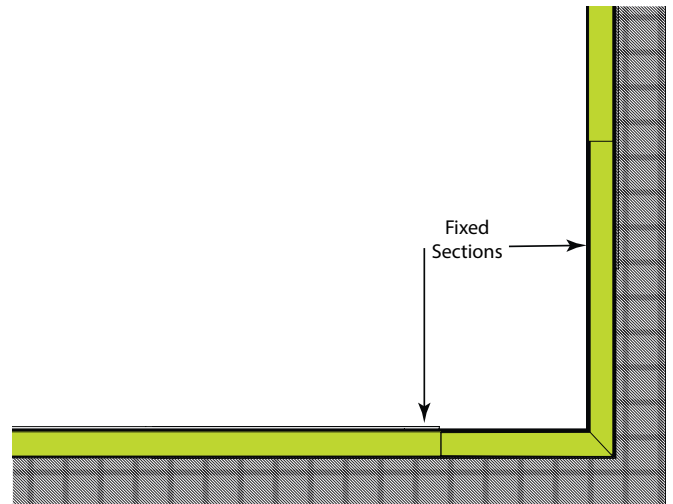
- CRI** Minimum 80 or 90 color rendering index.
- CCT** Choice of 2700K, 3000K, 3500K and 4000K color temperature with a great color consistency (within 3-step MacAdam ellipse). Both within fixture and fixture to fixture.
- LED life** Minimum 50,000h with 85% of lumen maintenance in 25°C ambient temperature, in compliance with IES LM-80 testing measurements.
- Thermal Management** Aluminum housing acting as the heat sink to maximize life.
- Environment** Dry and damp rated in operating ambient temperatures of 0-40°C (32-104F).



● **SECTION QUANTITY**

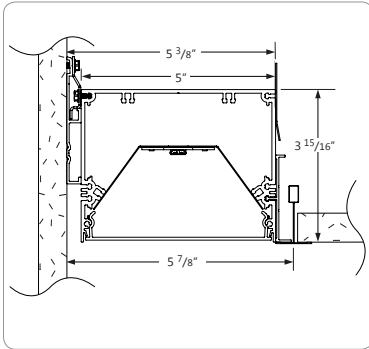


**TS TELESCOPIC SECTIONS**

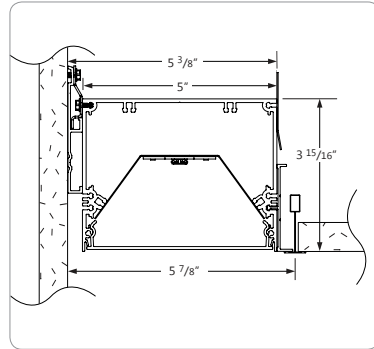


**FS FIXED SECTIONS**

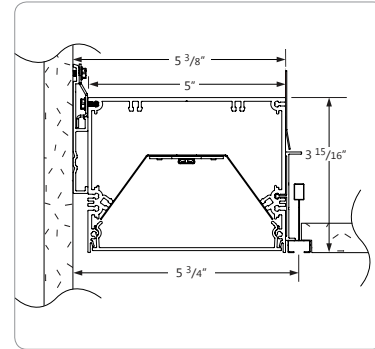
### ● TB CEILING MOUNTING OPTIONS



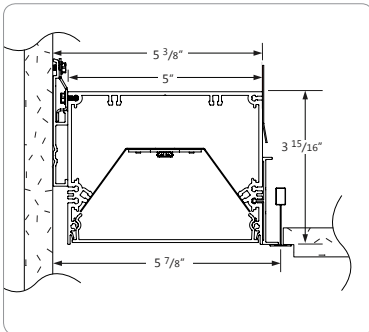
**TB15** 15/16" T-BAR



**TB9** 9/16" T-BAR

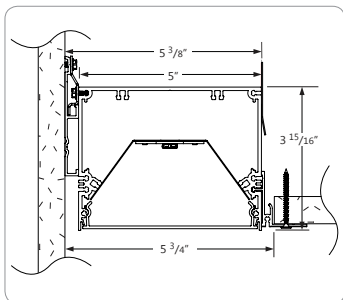


**ST** SCREW SLOT T-BAR

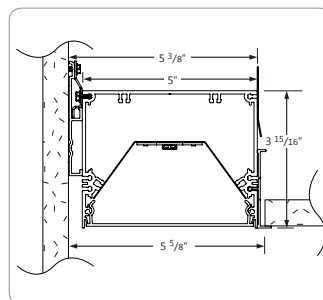


**TG9** 9/16" T-TEGULAR

### ● DRYWALL CEILING MOUNTING OPTIONS

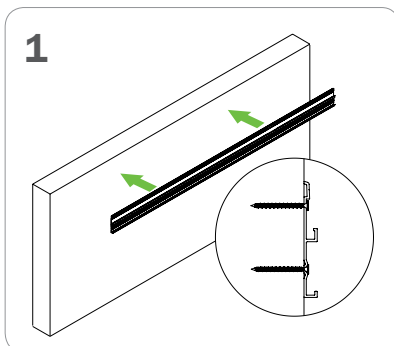


**DS** SPACKLE FLANGES

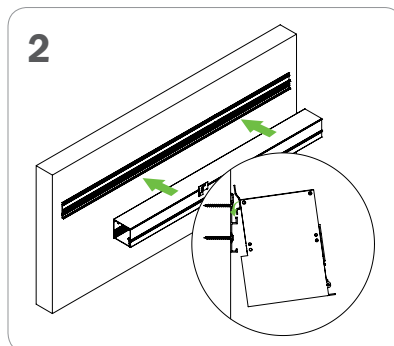


**DF** VISIBLE FLANGES  
WALL MOUNTING

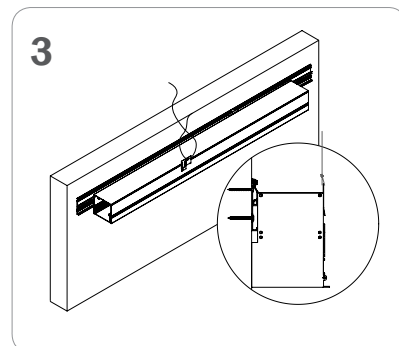
### ● INSTALLATION GUIDE



1  
Install wall track level and secure to structure at small grooves in extrusion.



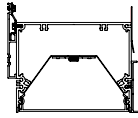
2  
Hook beam Perimeter luminaire onto wall track.



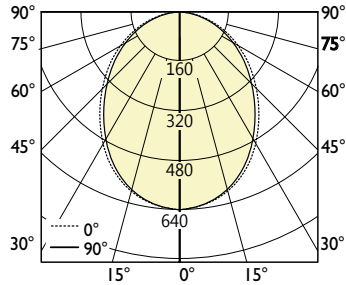
3  
Secure to wall track, secure to structure.

### PHOTOMETRIC DATA

400 lm/ft



#### PHOTOMETRIC CURVE



**Luminaire Lumens: 400 lm/ft**  
**Input Watts: 3.6W/ft**  
**Efficacy: 111 lm/W**

IES FILE: B6PRLED-400-80-40.IES  
 TESTED ACCORDING TO IES LM-79-2008

#### CANDELA DISTRIBUTION

Vertical Angle	0	22.5	45	67.5	90
0	638	638	638	638	638
5	631	634	632	636	637
15	597	600	596	595	597
25	533	533	527	522	522
35	449	447	439	430	427
45	357	355	345	338	333
55	265	263	255	247	244
65	176	174	169	165	163
75	95	94	92	88	88
85	26	24	24	23	23
90	0	0	0	0	0

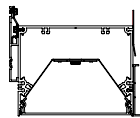
#### ZONAL LUMENS

Zone	Lumens
0	
0-10	60
10-20	168
20-30	242
30-40	274
40-50	267
50-60	228
60-70	168
70-80	97
80-90	27
90	

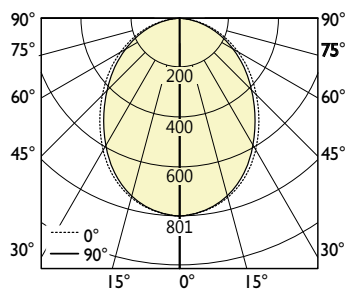
#### LUMINANCE DATA (cd/m<sup>2</sup>)

Vertical Angle	0	45	90
45	4050	3915	3780
55	3705	3560	3415
65	3339	3212	3085
75	2944	2852	2714
85	2391	2186	2118

500 lm/ft



#### PHOTOMETRIC CURVE



**Luminaire Lumens: 500 lm/ft**  
**Input Watts: 4.6 W/ft**  
**Efficacy: 108 lm/W**

IES FILE: B6PRLED-500-80-40.IES  
 TESTED ACCORDING TO IES LM-79-2008

#### CANDELA DISTRIBUTION

Vertical Angle	0	22.5	45	67.5	90
0	798	798	798	798	798
5	789	792	790	795	797
15	746	750	745	744	746
25	666	666	659	652	652
35	561	559	548	538	534
45	446	443	431	422	417
55	331	328	318	309	305
65	220	217	212	206	203
75	119	118	115	110	109
85	32	30	30	29	29
90	0	0	0	0	0

#### ZONAL LUMENS

Zone	Lumens
0	
0-10	75
10-20	210
20-30	303
30-40	343
40-50	333
50-60	285
60-70	210
70-80	121
80-90	34
90	

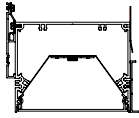
#### LUMINANCE DATA (cd/m<sup>2</sup>)

Vertical Angle	0	45	90
45	5062	4894	4725
55	4632	4450	4269
65	4173	4015	3856
75	3680	3565	3393
85	2989	2732	2647

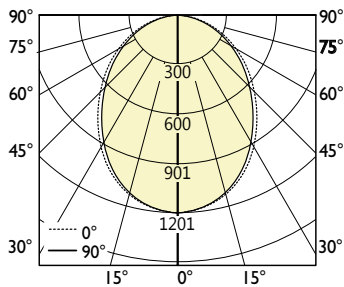
**i** All IES files for other lamping are available for download at: [www.axislighting.com](http://www.axislighting.com)

### PHOTOMETRIC DATA

750 lm/ft



#### PHOTOMETRIC CURVE



**Luminaire Lumens: 750 lm/ft**  
**Input Watts: 7.4W/ft**  
**Efficacy: 101 lm/W**

IES FILE: B6PRLED-750-80-40.IES  
 TESTED ACCORDING TO IES LM-79-2008

#### CANDELA DISTRIBUTION

Vertical Angle	0	22.5	45	67.5	90
0	1197	1197	1197	1197	1197
5	1183	1188	1186	1192	1195
15	1119	1124	1117	1116	1119
25	999	999	988	978	978
35	842	839	822	807	801
45	669	665	647	633	625
55	497	493	477	463	458
65	330	326	317	309	305
75	178	177	173	166	164
85	49	45	45	43	43
90	0	0	0	0	0

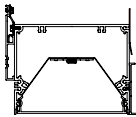
#### ZONAL LUMENS

Zone	Lumens
0	
0-10	113
10-20	315
20-30	455
30-40	514
40-50	500
50-60	427
60-70	315
70-80	182
80-90	52
90	

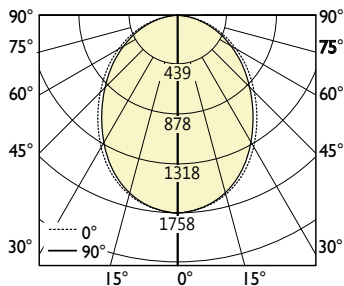
#### LUMINANCE DATA (cd/m<sup>2</sup>)

Vertical Angle	0	45	90
45	7593	7341	7088
55	6948	6675	6403
65	6260	6022	5784
75	5521	5348	5089
85	4483	4098	3970

1000 lm/ft



#### PHOTOMETRIC CURVE



**Luminaire Lumens: 1000 lm/ft**  
**Input Watts: 10.3 W/ft**  
**Efficacy: 97 lm/W**

IES FILE: B6PRLED-1000-80-40.IES  
 TESTED ACCORDING TO IES LM-79-2008

#### CANDELA DISTRIBUTION

Vertical Angle	0	22.5	45	67.5	90
0	1596	1596	1596	1596	1596
5	1577	1584	1581	1590	1594
15	1492	1499	1490	1488	1492
25	1332	1332	1317	1304	1304
35	1122	1119	1096	1076	1069
45	892	887	863	844	833
55	662	657	636	618	610
65	440	434	423	412	406
75	237	236	230	221	219
85	65	59	59	58	58
90	0	0	0	0	0

#### ZONAL LUMENS

Zone	Lumens
0	
0-10	150
10-20	420
20-30	606
30-40	686
40-50	667
50-60	570
60-70	419
70-80	242
80-90	69
90	

#### LUMINANCE DATA (cd/m<sup>2</sup>)

Vertical Angle	0	45	90
45	10124	9788	9451
55	9264	8900	8537
65	8347	8030	7713
75	7361	7131	6786
85	5977	5465	5294

**i** All IES files for other lamping are available for download at: [www.axislighting.com](http://www.axislighting.com)