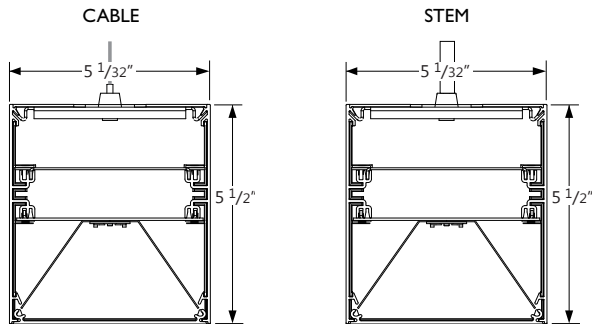


Project \_\_\_\_\_

Type \_\_\_\_\_

Notes \_\_\_\_\_



### PERFORMANCE PER LINEAR FOOT AT 4000K

NOMINAL LUMEN OUTPUT	INPUT WATTS*	EFFICACY
400 lm/ft	3.6 W/ft	111 lm/W
500 lm/ft	4.6 W/ft	108 lm/W
750 lm/ft	7.4 W/ft	101 lm/W
1000 lm/ft	10.3 W/ft	97 lm/W

\* Based on a 4 foot luminaire using one driver  
Please consult factory for custom lumen output and wattage.



### Ordering Guide

B6DLED		NOM. LUMENS/FT		CRI		COLOR TEMP.		SO		LENGTH					
PRODUCT ID								SHIELDING							
<b>B6DLED</b>	Pendant Direct LED	<b>400</b>	400 lm/ft - Minimum	<b>80</b>	80 CRI	<b>27</b>	2700 K	<b>SO</b>	spotless lens	<b>2</b>	2'				
			<b>1000</b>		1000 lm/ft - Maximum		<b>90</b>			90 CRI	<b>30</b>	3000 K	<b>3</b>	3'	
					<b>35</b>					3500 K		<b>40</b>	4000 K	<b>4</b>	4'
										<b>5</b>			5'		
										<b>6</b>			6'		
<b>8</b>	8'														
<b>12</b>	12'														
<b>S#</b> system run															
Outputs between listed min and max are available. Consult factory for outputs outside of the listed range.															

MR (OPTIONAL)		FINISH		VOLTAGE		DRIVER		CIRCUITS		
<b>M16(#)</b>	MR16 halogen lamp - Line voltage (by other) <sup>(1)</sup>	<b>AP</b>	aluminum paint	<b>120</b>	120 V	<b>DP</b>	dimming (0-10V) 1%	<b>1</b>	1 circuit	
<b>M16LED(#)</b>	MR16 LED lamp - Line voltage (by other) <sup>(1)</sup>	<b>W</b>	white	<b>277</b>	277 V	<b>D</b>	dimming (0-10V) 5% 347V standard <sup>(4)</sup>	<b>2</b>	2 circuits	
<b>M16LEDB(#)</b>	MR16 LED lamp - Dimmable (provided) <sup>(2)</sup>	<b>BLK</b>	black	<b>347</b>	347 V <sup>(3)</sup>	<b>LT</b>	Lutron <sup>(5)</sup>	<b>+E(#)</b>	emergency circuit <sup>(7)</sup>	
		<b>C</b>	custom	<b>UNV</b>	universal	<b>BI</b>	bi-level dimming	<b>+NL(#)</b>	night light circuit <sup>(7)</sup>	
						<b>O</b>	other <sup>(6)</sup>	<b>+GTD(#)</b>	generator transfer device <sup>(7)</sup>	
								<b>+M</b>	MR	
<sup>(1)</sup> Specify quantity; Line wattage only; Separate circuits included				<sup>(3)</sup> D dimming (0-10V) 5% standard		<sup>(4)</sup> For 347 V only		<sup>(7)</sup> Specify quantity		
<sup>(2)</sup> Consult factory; See page 3 for more details. MR16 constant current for 0-10V & DALI only						<sup>(5)</sup> Specify system				
						<sup>(6)</sup> Please consult factory; see page 2				

MOUNTING/SUSPENSION		BATTERY (OPTIONAL)		OTHER (OPTIONAL)		IC CONTROLS (OPTIONAL)		CUSTOM (OPTIONAL)	
<b>CA(#)</b>	drywall+cable length (36" std.)	<b>B#</b>	battery pack 4' sections	<b>F</b>	fuse <sup>(8)</sup>	<b>DS#</b>	daylight sensor	<b>C</b>	custom
<b>CT9(#)</b>	TB/TG 9/16+cable length (36" std.)			<b>D</b>	dust cover	<b>OS#</b>	occupancy sensor		
<b>CT15(#)</b>	TB/TG15/16+cable length (36" std.)					<b>DOS#</b>	daylight & occupancy sensor		
<b>CTS(#)</b>	ST+cable length (36" std.)					<b>EN#</b>	Enlighted integral <sup>(9)</sup>		
<b>SA(#)</b>	drywall+stem length >48" (18" std.)					<b>ENR#</b>	Enlighted remote <sup>(9)</sup>		
<b>+SM</b>	seismic option					<b>WC#</b>	wireless control dimming		
		Not available with 347V Please consult factory		<sup>(8)</sup> Requires 120V or 277V		<sup>(9)</sup> Please consult factory Specify quantity. Requires 8" blank. See integrated controls guide for more details.		Please specify	

### ● SPECIFICATIONS

#### CONSTRUCTION

<b>Housing</b>	Extruded aluminum (0.075" nominal) Up to 70% recycled content
<b>End Cap</b>	Sheet Steel (18 gauge)
<b>Interior Brackets</b>	Die formed sheet steel (18 gauge)
<b>Reflectors</b>	White powder coated sheet steel (22 gauge)
<b>Blank</b>	Extruded aluminum (0.075" nominal)
<b>Lens</b>	Spotless frosted acrylic lens
<b>Hanger</b>	Die formed sheet steel (16 gauge)
<b>Suspension</b>	Aircraft cable or Ø 1/2" Stem
<b>Cable Grips</b>	Quick connecting / release

### ● ELECTRICAL

<b>Lutron driver*</b>	L3D - Hi-Lume A-Series EcoSystem 3-Wire Control (1%) LDE1 - EcoSystem H-Series (1%) LDE5 - EcoSystem 5-Series (5%) LTE - Hi-Lume® A-series 2Wires Forward Phase (1%) <small>*Consult factory</small>
<b>Other drivers</b>	DALI - Digital Addressable Lighting Interface DMX - Digital Multiplex LV - line voltage - Advance Mark 10 Xitanium SR - For wireless sensor
<b>Emergency</b>	Integral emergency battery pack or emergency circuit optional.
<b>Input Voltage</b>	120V, 277V, 347V, UNV.

**i** Incorporating these components may have limitations or affect the length of the luminaire. Please contact factory for more details.

### ● WARRANTY

Axis Lighting will warrant defective LEDs, boards, and drivers for 5 years from date of purchase. Warranty is valid if luminaire is installed and used according to specifications. If defective, Axis will send replacement boards or drivers at no cost along with detailed replacement instructions and instructions on how to return defective components to Axis.

### ● APPROVALS

Certified to UL and CSA standards  
Meets NYC requirements  
Suitable for damp locations.



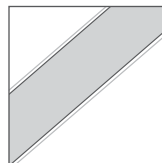
### ● SYSTEM (S#)

BEAM6 LED linear systems, with the use of a strong profile, allow for a nearly hair thin connection system of continuous runs. Lengths of 4', 8', 12' as well as custom lengths are available. Runs of BEAM6 LED that are greater than 12' in length are designated as systems (S#). This means that the run is comprised of a combination of 4', 8' and/or 12' sections to be assembled on site using our joining system. For more information on systems and joining, please refer to the BEAM6 LED installation sheets available for download at [www.axislighting.com](http://www.axislighting.com).

### ● FINISH

Powder coated and custom finishes are also available.

### ● OPTICS



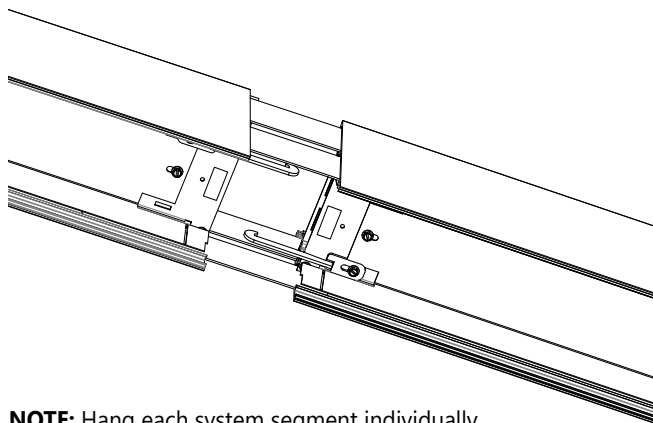
50 spotless lens

#### SPOTLESS LENS

Frosted acrylic snap-in lens with micro lens

### ● JOINERS

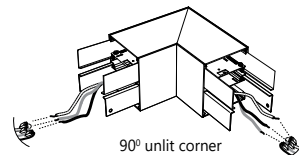
In order to allow very long runs of BEAM6 LED luminaires, Axis has developed an effective joining system. Special care has been taken to maximize the performance of the joiner for each BEAM6 LED option.



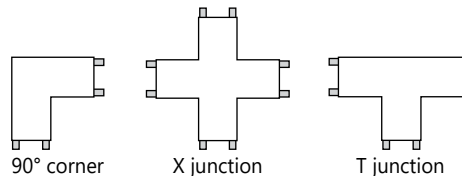
**NOTE:** Hang each system segment individually. Do not assemble system prior to hanging.

### ● CORNERS

**Unlit Corners** - BEAM6 LED features a multitude of layout patterns with the use of a number of corners, 90° corner, T or X junctions.



90° unlit corner

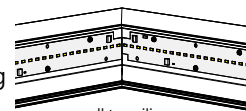


90° corner

X junction

T junction

**Lit Corners** - Axis also offers Lit 90° corners including ceiling to ceiling, wall to ceiling and ceiling to wall.



wall to ceiling  
lit corner

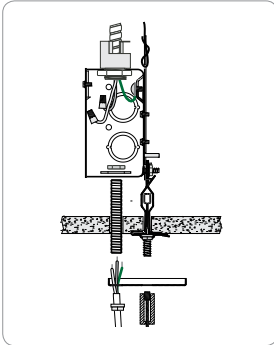
**i** For custom corner angles, please consult factory. Specifications sheets for all corners are available at: [www.axislighting.com](http://www.axislighting.com)

### ● WEIGHT

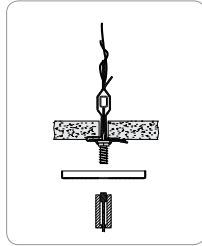
<b>Pendant 4 ft</b>	16.3 lbs / 7.4 kg
<b>Pendant 8 ft</b>	32.6 lbs / 14.8 Kg
<b>Pendant 12 ft</b>	48.9 lbs / 22.2 Kg

### ● MOUNTING OPTIONS

#### CT TILE CEILING - ON GRID

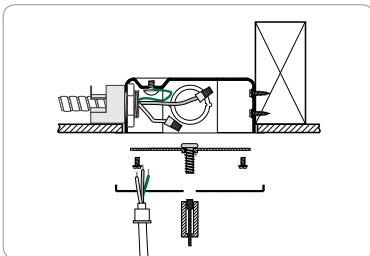


Power feed

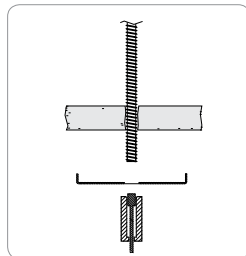


Non power feed

#### CA DRYWALL CEILING

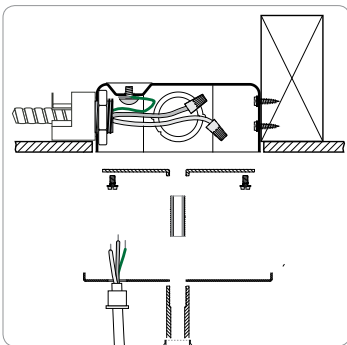


Power feed

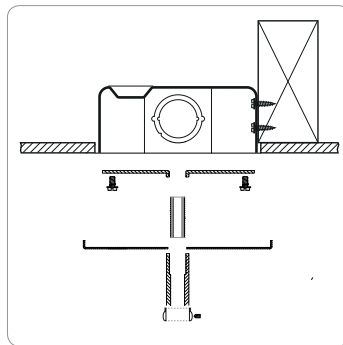


Non power feed

#### SA STEM MOUNT IN DRYWALL CEILING



Power feed



Non power feed

### ● OTHER MOUNTING OPTIONS

BEAM6 LED is also available with recessed, surface, wall and recessed vertical mounted options.

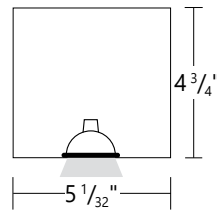
**i** Specification sheets and installation sheets for all mountings for BEAM6 LED luminaires are available for download at [www.axislighting.com](http://www.axislighting.com)

### ● MR16

<b>Blank</b>	Extruded aluminum (0.075" nominal)
<b>MR16 Halogens</b>	Adjustable halogen lamp 35W / 50W (by others) - <b>Line voltage dimming only</b>
<b>MR16 LED</b>	Adjustable LED lamp (provided)- <b>Line voltage dimming only</b>
<b>MR16 LEDB</b>	Constant current LED lamp (provided)- <b>Dimmable by control system for 0-10V DALI only</b>

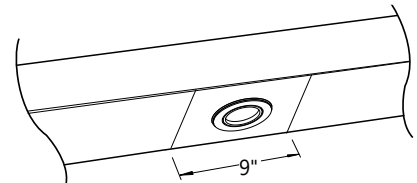
**Quantity** For every 4' section, there may be up to a maximum of 4 x MR16 LED lamps.

**Spacing** Each MR16 LED lamp is placed centered on a blank section 9" in length.

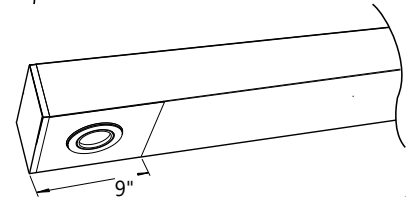


For a series of MR16's within a given section length, they will be spaced evenly on a longer blank section. The directed light of MR16 LED lamps are fixed downward. Custom spacing may be available on special request.

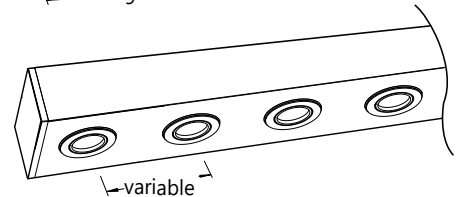
**Between sections**



**At luminaire ends**



**Several in a long blank section**

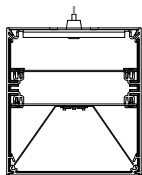


<b>Base Type</b>	GU 5.3
<b>Beam Angle</b>	40 nominal degrees
<b>Input Watts</b>	6W
<b>Nominal Lumens</b>	300 lumens
<b>Efficacy</b>	50 lumens per watt
<b>Color Rendering Index (CRI)</b>	85
<b>Center Beam Candle Power (CBCP)</b>	584 candelas
<b>Life</b>	25,000 hours at L <sub>70</sub>
<b>Correlated Color Temperature (CCT)</b>	2700K

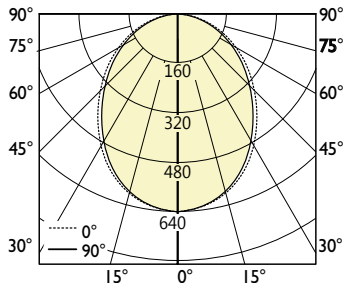
**i** More options are available upon request. Please consult factory.

### PHOTOMETRIC DATA

400 lm/ft



#### PHOTOMETRIC CURVE



**Luminaire Lumens: 400 lm/ft**  
**Input Watts: 3.6W/ft**  
**Efficacy: 111 lm/W**

IES FILE: B6DLED-400-80-40-SO.IES  
 TESTED ACCORDING TO IES LM-79-2008

#### CANDELA DISTRIBUTION

Vertical Angle	Horizontal Angles				
	0	22.5	45	67.5	90
0	638	638	638	638	638
5	631	634	632	636	637
15	597	600	596	595	597
25	533	533	527	522	522
35	449	447	439	430	427
45	357	355	345	338	333
55	265	263	255	247	244
65	176	174	169	165	163
75	95	94	92	88	88
85	26	24	24	23	23
90	0	0	0	0	0

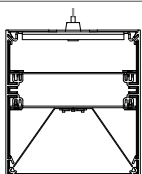
#### ZONAL LUMENS

Zone	Lumens
0	
0-10	60
10-20	168
20-30	242
30-40	274
40-50	267
50-60	228
60-70	168
70-80	97
80-90	27
90	

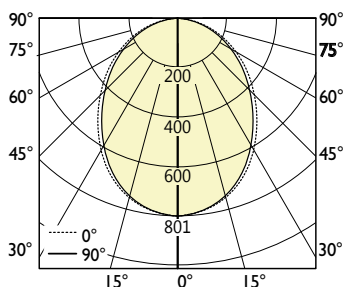
#### LUMINANCE DATA (cd/m<sup>2</sup>)

Vertical Angle	Horizontal Angles		
	0	45	90
45	4050	3915	3780
55	3705	3560	3415
65	3339	3212	3085
75	2944	2852	2714
85	2391	2186	2118

500 lm/ft



#### PHOTOMETRIC CURVE



**Luminaire Lumens: 500 lm/ft**  
**Input Watts: 4.6 W/ft**  
**Efficacy: 108 lm/W**

IES FILE: B6DLED-500-80-40-SO.IES  
 TESTED ACCORDING TO IES LM-79-2008

#### CANDELA DISTRIBUTION

Vertical Angle	Horizontal Angles				
	0	22.5	45	67.5	90
0	798	798	798	798	798
5	789	792	790	795	797
15	746	750	745	744	746
25	666	666	659	652	652
35	561	559	548	538	534
45	446	443	431	422	417
55	331	328	318	309	305
65	220	217	212	206	203
75	119	118	115	110	109
85	32	30	30	29	29
90	0	0	0	0	0

#### ZONAL LUMENS

Zone	Lumens
0	
0-10	75
10-20	210
20-30	303
30-40	343
40-50	333
50-60	285
60-70	210
70-80	121
80-90	34
90	

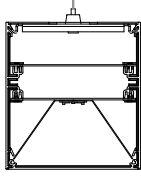
#### LUMINANCE DATA (cd/m<sup>2</sup>)

Vertical Angle	Horizontal Angles		
	0	45	90
45	5062	4894	4725
55	4632	4450	4269
65	4173	4015	3856
75	3680	3565	3393
85	2989	2732	2647

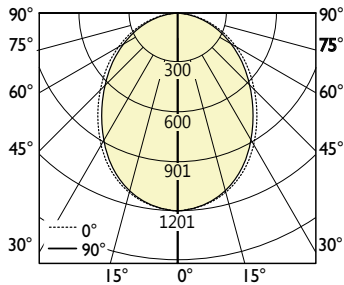
**i** All IES files for other lamping are available for download at: [www.axislighting.com](http://www.axislighting.com)

### PHOTOMETRIC DATA

750 lm/ft



#### PHOTOMETRIC CURVE



**Luminaire Lumens: 750 lm/ft**  
**Input Watts: 7.4W/ft**  
**Efficacy: 101 lm/W**

IES FILE: B6DLED-750-80-40-SO.IES  
 TESTED ACCORDING TO IES LM-79-2008

#### CANDELA DISTRIBUTION

Vertical Angle	Horizontal Angles				
	0	22.5	45	67.5	90
0	1197	1197	1197	1197	1197
5	1183	1188	1186	1192	1195
15	1119	1124	1117	1116	1119
25	999	999	988	978	978
35	842	839	822	807	801
45	669	665	647	633	625
55	497	493	477	463	458
65	330	326	317	309	305
75	178	177	173	166	164
85	49	45	45	43	43
90	0	0	0	0	0

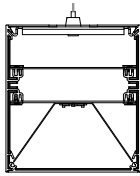
#### ZONAL LUMENS

Zone	Lumens
0	
0-10	113
10-20	315
20-30	455
30-40	514
40-50	500
50-60	427
60-70	315
70-80	182
80-90	52
90	

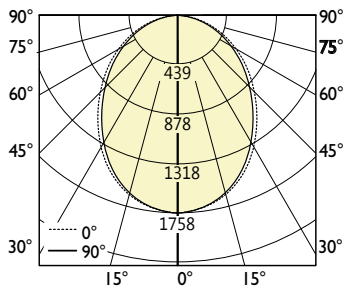
#### LUMINANCE DATA (cd/m<sup>2</sup>)

Vertical Angle	Horizontal Angles		
	0	45	90
45	7593	7341	7088
55	6948	6675	6403
65	6260	6022	5784
75	5521	5348	5089
85	4483	4098	3970

1000 lm/ft



#### PHOTOMETRIC CURVE



**Luminaire Lumens: 1000 lm/ft**  
**Input Watts: 10.3 W/ft**  
**Efficacy: 97 lm/W**

IES FILE: B6DLED-1000-80-40-SO.IES  
 TESTED ACCORDING TO IES LM-79-2008

#### CANDELA DISTRIBUTION

Vertical Angle	Horizontal Angles				
	0	22.5	45	67.5	90
0	1596	1596	1596	1596	1596
5	1577	1584	1581	1590	1594
15	1492	1499	1490	1488	1492
25	1332	1332	1317	1304	1304
35	1122	1119	1096	1076	1069
45	892	887	863	844	833
55	662	657	636	618	610
65	440	434	423	412	406
75	237	236	230	221	219
85	65	59	59	58	58
90	0	0	0	0	0

#### ZONAL LUMENS

Zone	Lumens
0	
0-10	150
10-20	420
20-30	606
30-40	686
40-50	667
50-60	570
60-70	419
70-80	242
80-90	69
90	

#### LUMINANCE DATA (cd/m<sup>2</sup>)

Vertical Angle	Horizontal Angles		
	0	45	90
45	10124	9788	9451
55	9264	8900	8537
65	8347	8030	7713
75	7361	7131	6786
85	5977	5465	5294

**i** All IES files for other lamping are available for download at: [www.axislighting.com](http://www.axislighting.com)