



PENDANT ASYMMETRIC MOUNT

PROJECT INFORMATION

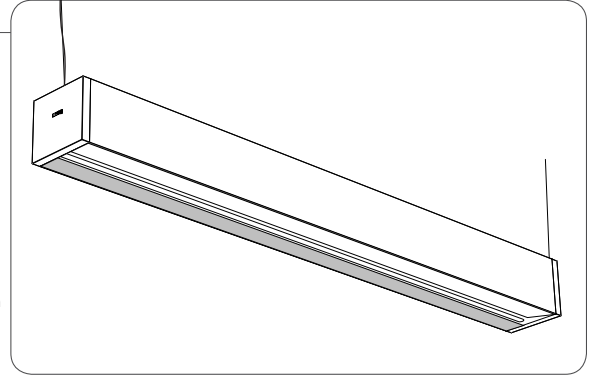
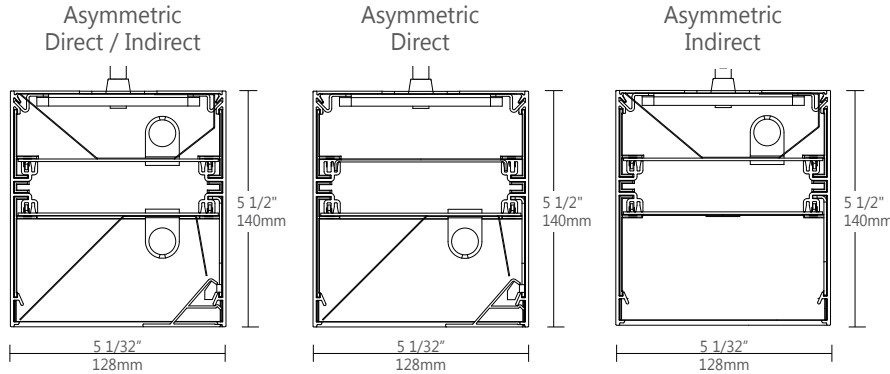
Project:

Type:

Notes:

DIMENSIONS

SECTION VIEWS



ORDERING CODE

1	2	3	4	5	6	7	8	9	10	11	12	13	14	15	16	17	18
---	---	---	---	---	---	---	---	---	----	----	----	----	----	----	----	----	----

PRODUCT SPECIFICATIONS

1 PRODUCT ID	2 OPTICS DIRECT	3 OPTICS INDIRECT	4 LENGTH/FT	5 SPECIFY LENGTH	6 LAMP
B6 pendant direct/indirect	A asymmetric ⁽¹⁾	A asymmetric ⁽²⁾	2 2'	NL nominal (3' & 4' lamps)	T5 T5
B6D pendant direct	S satin lens	NO no lens	3 3'	NL4 nominal (4' lamps only)	T5HO T5HO
B6I pendant indirect	F frosted lens		4 4'	EX exact (3' & 4' lamps)	T8 T8
	PL semi spec. para. louvers		5 5'	EX4 exact (4' lamps only)	
			6 6'		
			8 8'		
			12 12'		
			S# System Run		
	(1) Not available with 2 or 3 lamps	(2) Not available with 2 or 3 lamps			

7 DOWN LAMP	8 UP LAMP	9 MR	10 FINISH	11 VOLTAGE	12 BALLAST
0 0 lamp	0 0 lamp	M16# MR 16 halogen	AP aluminum paint	120 120V	D dimming
1 1 lamp	1 1 lamp	M16LED# MR 16 LED	W white	277 277V	E instant start ⁽⁶⁾
2 2 lamps ⁽³⁾	2 2 lamps ⁽⁴⁾		BLK black	347 347V ⁽⁵⁾	ERS program start
3 3 lamps ⁽³⁾	3 3 lamps ⁽⁴⁾		C custom	UNV universal	BI bi-level dimming
(3) Not available with asymmetric, T8 lamp not available in 3 lamps	(4) Not available with asymmetric, T8 lamp not available in 3 lamps	Add 9" per lamp Requires 120V or 277V		(5) Please consult factory	(6) Available with T8 lamp only

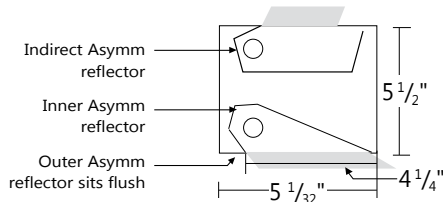
13 CIRCUITS	14 MOUNTING/SUSPENSION	15 BATTERY	16 OTHER	17 IC CONTROLS	18 CUSTOM
1 1 regular	SA# drywall+stem length >48" (18" std.)	B# battery pack 4' sections	D dust cover ⁽⁷⁾	DS# daylight sensor	C custom
2 2 regular			F fuse	OS# occupancy sensor	
2A/B 2 alternating				DS+OS# daylight+occupancy sensor	
+E(#) emergency section				DOS# daylight&occupancy sensor	
+NL(#) night light section					
+GTD(#) generator transfer device					
+M MR					
			(7) Not available for asymmetric optics	See integrated controls guide for further details	Please specify

● CONSTRUCTION

Housing	Extruded Aluminum (0.075" nominal) 70% Recycled Content
End Cap	Sheet Steel (18 ga)
Interior Brackets	Die Formed Sheet Steel (18 gauge)
Reflectors	White Powder Coated Sheet Steel (22 ga)
Louvers	Die Formed Semi-Specular Aluminum (22 ga)
Lenses	Extruded Acrylic (0.070" nominal) Satin: 68% trans. Frosted: 85% trans.
Suspension	Ø 1/2" Stem

● ASYMMETRIC

Indirect/Inner Asymmetric Reflector	Die Formed Specular Aluminum (22 gauge)
Outer Asymmetric Reflector	Extruded Aluminum (0.075" nominal)



● WEIGHT

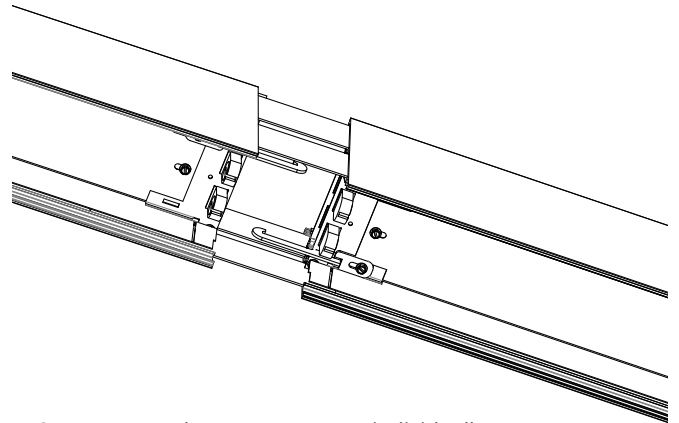
4 ft	16.3 lbs / 7.4 kg
8 ft	32.6 lbs / 14.8 kg
12 ft	48.9 lbs / 22.2 kg

● SYSTEM (S#)

BEAM 6 linear systems, with the use of a strong profile, allow for a nearly hair thin connection system of continuous runs. Lengths of 4', 8', 12' as well as custom lengths are available. Runs of BEAM 6 that are greater than 12' in length are designated as systems (S#). This means that the run is comprised of a combination of 4', 8' and/or 12' sections to be assembled on site using our joining system. For more information on systems and joining, please refer to the BEAM installation sheets available for download at www.axislighting.com.

● JOINERS

In order to allow very long runs of BEAM 6 luminaires, Axis has developed an effective joining system. Special care has been taken to maximize the performance of the joiner for each BEAM option.



NOTE: Hang each system segment individually. Do not assemble system prior to hanging.

● ELECTRICAL

Ballast	Electronic IS, Electronic Rapid Start, Dimming (0-10V, Line, EcoSystem, DALI), BI-level dimming With preinstalled ballast disconnect as per NEC & CEC
Emergency	Emergency battery pack or emergency circuit
Voltage	120V, 277V, 347V, UNV
i	Incorporating these components may have limitations or effect the length of the luminaire, please contact factory for more details.

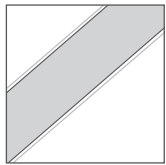
● FINISH

Aluminium paint, Powder Coated and custom finishes are also available.

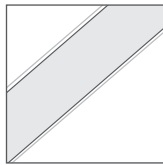
● APPROVALS

Certified to UL and CUL standards Meets NYC requirements
Suitable for damp locations.

● **OPTICS**



S satin lens

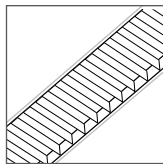


F frosted lens

SATIN & FROSTED LENS*

(acrylic snap-in lens)
 satin: 68% trans.
 frosted: 85% trans.

*available only for direct optics

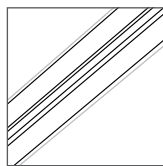


PL semi-specular parabolic louvers

LOUVERS*

(semi-spec. parabolic louver/white solid baffle)
 9/16" deep blades – 5/8" spacing
 72 blades per 4'

*available only for direct optics



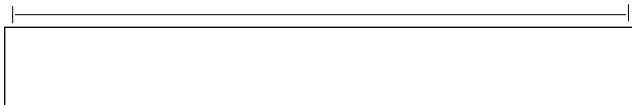
A asymmetric

ASYMMETRIC NO LENS

(asymmetric reflector)

● **MOUNTING SPACING END TO END**

T5/T5HO LAMP	4'	(46 5/16" C.C.)
	8'	(92 5/8" C.C.)
	12'	(138 15/16" C.C.)



T8 LAMP	4'	(48" C.C.)
	8'	(96" C.C.)
	12'	(144" C.C.)



i Row configuration and mounting spacing file is available for download at: www.axislighting.com

● **MR16**

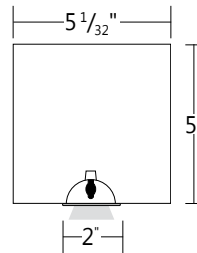
Blank MR16 Halogens MR16 LED Quantity

Extruded Aluminum (0.075" nominal)
 2.0" diameter (35W / 50W)
 2.0" diameter

For every 4' fluorescent lamp section, there may be up to a maximum of 4 x MR16 lamps.

Each MR16 is placed centered on a blank section 9" in length.

Spacing

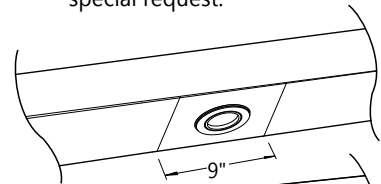


For a series of MR16's within a given section length, they will be spaced evenly on a longer blank section.

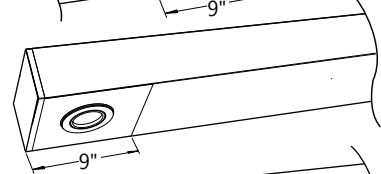
The directed light of MR16 Halogen lamps are fixed downward.

Custom spacing may be available on special request.

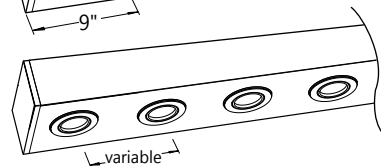
Between fluorescent lamp sections



At luminaire ends

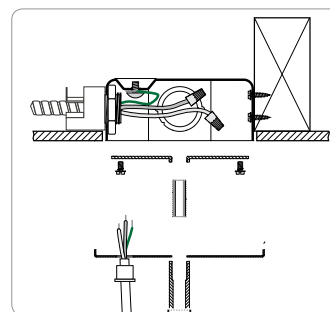


Several in a long blank section

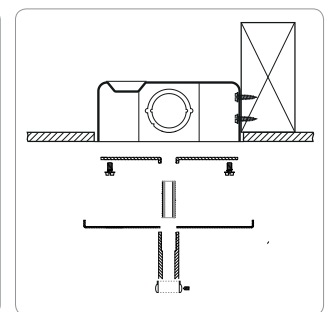


● **MOUNTING OPTIONS**

SA STEM MOUNT IN DRYWALL CEILING



Power feed



Non power feed

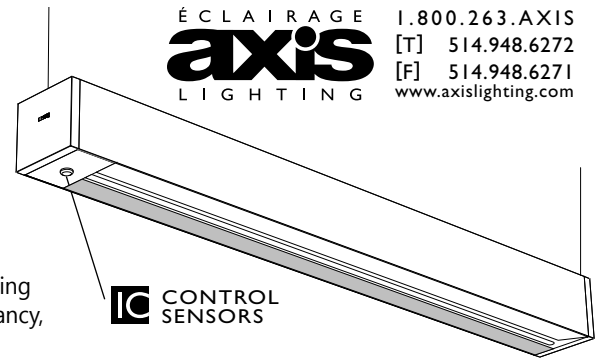
● **OTHER MOUNTING OPTIONS**

BEAM 6 is also available with recessed, surface, wall, recessed wall and wall wash mounted options.

i Specification sheets and Installation sheets for all mounting for BEAM luminaires are available for download at www.axislighting.com

● INTEGRATED CONTROL OPTIONS

BEAM 6 luminaires allow the use of integrated controls such as daylight sensors (DS), occupancy sensors (OS), individual daylight sensors and occupancy sensors (DS+OS), and combination daylight/occupancy sensors (DOS). These options can be seamlessly integrated into our luminaires. The control system could be used to optimize the lighting of the space by reducing energy consumption through daylight harvesting and occupancy, thereby improving the overall interior environment and allowing for LEED credits.



- Consult factory for other options.
- Refer to IC brochure for more information.

SENSORS	BRAND	Model	TYPE	CODE	COMPATIBLE DIMMING BALLAST
Daylight Sensor (DS)	Lutron	EC-DIR-WH	Daylight	LD	EcoSystem
	Wattstopper	FD-301	Daylight	WD	0-10V
	Philips	Luxsense	Daylight	PL	0-10V
Occupancy Sensor (OS)	Wattstopper	FS-205	PIR Occupancy	WP1	Programmed Rapid Start
		FS-355	PIR Occupancy	WP2	Programmed Rapid Start
		FM-105	High Frequency Occupancy	WH	Programmed Rapid Start
Daylight & Occupancy Sensors (DOS)	Philips	Actilume	Daylight & PIR Occupancy	PA	DALI or 0-10V

i All IES files for other lamping are available for download at: www.axislighting.com