

Project _____

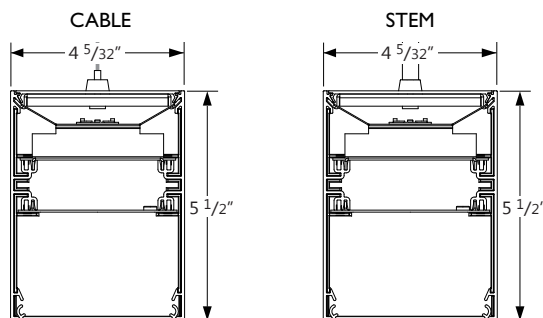
Type _____

Notes _____

PERFORMANCE PER LINEAR FOOT AT 3500K

NOMINAL LUMEN OUTPUT	INPUT WATTS*	EFFICACY
950 lm/ft	7.1 W/ft	134 lm/W

* Based on a 4 foot luminaire using one driver
Please consult factory for custom lumen output and wattage.



Ordering Guide

BBILED	950	CRI	COLOR TEMP.	C	LENGTH
PRODUCT ID	NOM. LUMENS/FT			SHIELDING	
BBILED Pendant Indirect LED	950 950 lm/ft	80 80 CRI 90 90 CRI	27 2700 K 30 3000 K 35 3500 K 40 4000 K	C clear	2 2' 3 3' 4 4' 5 5' 6 6' 8 8' 12 12' S# system run
Outputs between listed min and max are available.					

MR (OPTIONAL)	FINISH	VOLTAGE	DRIVER	CIRCUITS
M16(#) MR16 halogen lamp - Line voltage (by other) ⁽¹⁾	AP aluminum paint	120 120 V	DP dimming (0-10V) 1%	1 1 circuit
M16LED(#) MR16 LED lamp - Line voltage (by other) ⁽¹⁾	W white	277 277 V	D dimming (0-10V) 5% 347V standard ⁽⁴⁾	2 2 circuits
M16LEDB(#) MR16 LED LAMP - Dimmable (provided) ⁽²⁾	BLK black	347 347 V ⁽³⁾	LT Lutron ⁽⁵⁾	+E(#) emergency circuit ⁽⁷⁾
	C custom	UNV universal	BI bi-level dimming	+NL(#) night light circuit ⁽⁷⁾
			O other ⁽⁶⁾	+GTD(#) generator transfer device ⁽⁷⁾
				+M MR
(1) Specify quantity; Line wattage only; Separate circuits included (2) Consult factory; See page 3 for more details. MR16 constant current for 0-10V & DALI only		(3) D dimming (0-10V) 5% standard	(4) For 347V only (5) Specify system (6) Please consult factory; see page 2	(7) Specify quantity

MOUNTING/SUSPENSION	BATTERY (OPTIONAL)	OTHER (OPTIONAL)	IC CONTROLS (OPTIONAL)	CUSTOM (OPTIONAL)
CA(#) drywall+cable length (36" std.) CT9(#) TB/TG 9/16+cable length (36" std.) CT15(#) TB/TG15/16+cable length (36" std.) CTS(#) ST+cable length (36" std.) SA(#) drywall+stem length >48" (18" std.) +SM seismic option	B# battery pack 4' sections	F fuse	DS# daylight sensor OS# occupancy sensor DOS# daylight & occupancy sensor EN# Enlighted integral ⁽⁸⁾ ENR# Enlighted remote ⁽⁸⁾ WC# wireless control dimming	C custom
	Not available with 347V Please consult factory	Requires 120V or 277V	(8) Please consult factory Specify quantity. Requires 8" blank. See integrated controls guide for more details.	Please specify

● SPECIFICATIONS

CONSTRUCTION

Housing	Extruded aluminum (0.075" nominal) Up to 70% recycled content
End Cap	Sheet steel (18 gauge)
Interior Brackets	Die formed sheet steel (18 gauge)
Reflectors	White powder coated sheet steel (22 gauge)
Blank	Extruded aluminum (0.075" nominal)
Hanger	Die formed sheet steel (16 gauge)
Suspension	Aircraft cable or Ø 1/2" stem
Cable Grips	Quick connecting / release

● ELECTRICAL


Lutron driver*	L3D - Hi-Lume A-Series EcoSystem 3-Wire Control (1%) LDE1 - EcoSystem H-Series (1%) LDE5 - EcoSystem 5-Series (5%) LTE - Hi-Lume® A-series 2Wires Forward Phase (1%) *Consult factory
Other drivers	DALI - Digital Addressable Lighting Interface DMX - Digital Multiplex LV - line voltage - Advance Mark 10 Xitanium SR - For wireless sensor
Emergency	Integral emergency battery pack or emergency circuit optional.
Input Voltage	120V, 277V, 347V, UNV.

i Incorporating these components may have limitations or affect the length of the luminaire. Please contact factory for more details.

● WARRANTY

Axis Lighting will warrant defective LEDs, boards, and drivers for 5 years from date of purchase. Warranty is valid if luminaire is installed and used according to specifications. If defective, Axis will send replacement boards or drivers at no cost along with detailed replacement instructions and instructions on how to return defective components to Axis.

● APPROVALS

Certified to UL and CSA standards 
Meets NYC requirements
Suitable for damp locations.

● SYSTEM (S#)

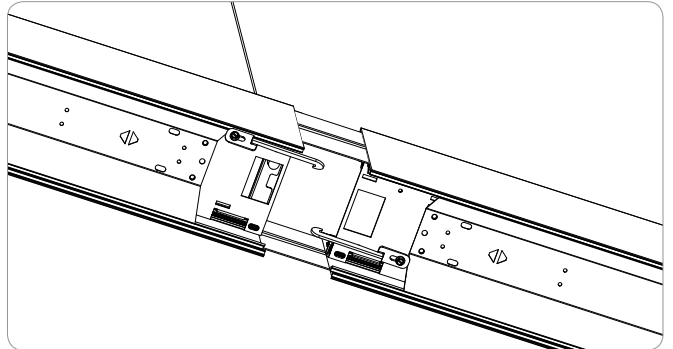
BEAM 4 LED linear systems, with the use of a strong profile, allow for a nearly hair thin connection system of continuous runs. Lengths of 4', 8', 12' as well as custom lengths are available. Runs of BEAM 4 LED that are greater than 12' in length are designated as systems (S#). This means that the run is comprised of a combination of 4', 8' and/or 12' sections to be assembled on site using our joining system. For more information on systems and joining, please refer to the BEAM 4 LED installation sheets available for download at www.axislighting.com.

● WEIGHT

Indirect LED 4ft	14.5 lbs / 6.6 kg
Indirect LED 8ft	29.0 lbs / 13.2 Kg
Indirect LED 12ft	43.5 lbs / 19.7 Kg

● JOINERS

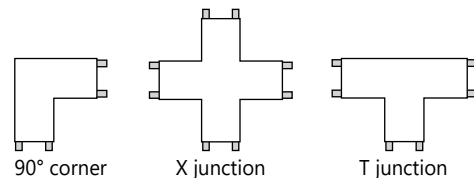
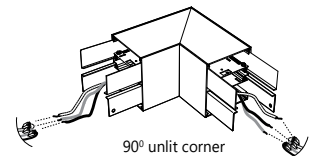
In order to allow very long runs of BEAM 4 LED luminaires, Axis has developed an effective joining system. Special care has been taken to maximize the performance of the joiner for each BEAM 4 LED option.



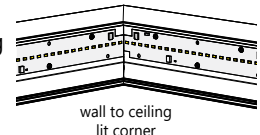
NOTE: Hang each system segment individually. Do not assemble system prior to hanging.

● CORNERS

Unlit Corners - BEAM 4 LED features a multitude of layout patterns with the use of a number of corners, 90° corner, T or X junctions.



Lit Corners - Axis also offers lit 90° corners including ceiling to ceiling, wall to ceiling and ceiling to wall.



i For custom corner angles, please consult factory. Specifications sheets for all corners are available at: www.axislighting.com

● FINISHES

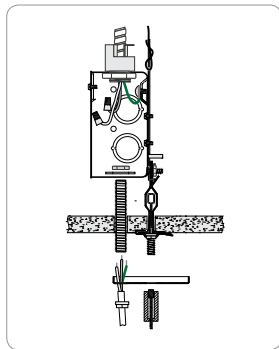
Powder coated and custom finishes are also available.

● LED SYSTEM

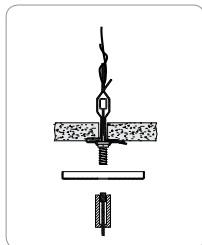
CRI	Minimum 80 or 90 color rendering index
CCT	Choice of 2700K, 3000K, 3500K and 4000K color temperature with a great color consistency (within 3.5-step MacAdam ellipse).
LED life	Minimum 50,000h with 70% of lumen maintenance in 25°C ambient temperature, in compliance with IES LM-80 testing measurements.
Thermal management	Aluminium housing acting as the heat sink to maximize life.

● MOUNTING OPTIONS

GT TILE CEILING - ON GRID

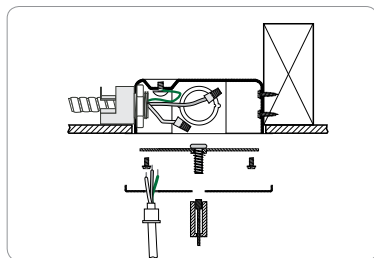


Power feed

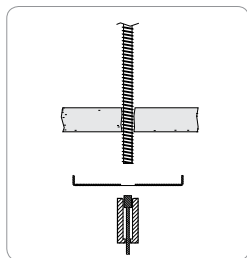


Non power feed

CA DRYWALL CEILING

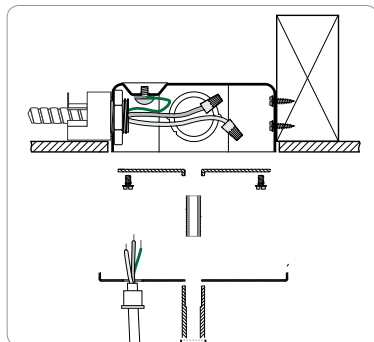


Power feed

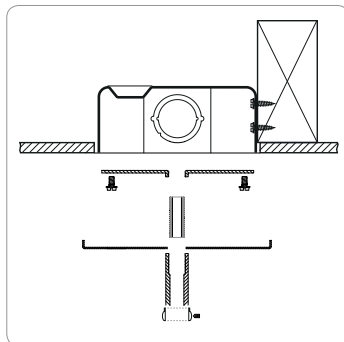


Non power feed

SA STEM MOUNT IN DRYWALL CEILING



Power feed



Non power feed

● MOUNTING SPACING END TO END

4'	(48" C.C.)
8'	(96" C.C.)
12'	(144" C.C.)

i Row configuration and mounting spacing file is available for download at: www.axislighting.com

● OTHER MOUNTING OPTIONS

BEAM 4 LED is also available with recessed, surface, wall and recessed vertical mounted options.

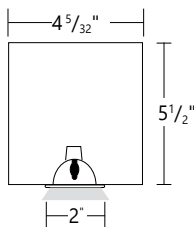
i Specification sheets and installation sheets for all mountings for BEAM luminaires are available for download at www.axislighting.com

● MR16 LED LAMPS

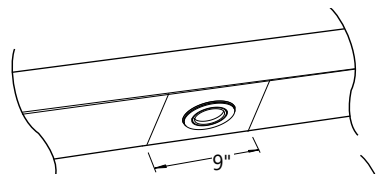
Blank	Extruded aluminum (0.075" nominal)
MR16 Halogens	Adjustable halogen lamp 35W / 50W (by others) - Line voltage dimming only
MR16 LED	Adjustable LED lamp (provided)- Line voltage dimming only
MR16 LEDB	Constant current LED lamp (provided)- Dimmable by control system for 0-10V DALI only

Quantity For every 4' section, there may be up to a maximum of 4 x MR16 LED lamps.

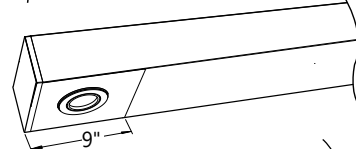
Spacing Each MR16 LED lamp is placed centered on a blank section 9" in length. For a series of MR16's within a given section length, they will be spaced evenly on a longer blank section. The directed light of MR16 LED lamps are fixed downward. Custom spacing may be available on special request.



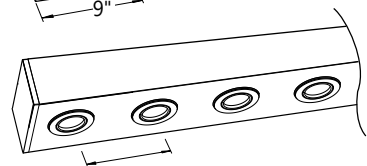
Between sections



At luminaire ends



Several in a long blank section

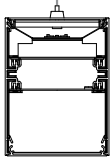


Base Type	GU 5.3
Beam Angle	40 nominal degrees
Input Watts	6W
Nominal Lumens	300 lumens
Efficacy	50 lumens per watt
Color Rendering Index (CRI)	85
Center Beam Candle Power (CBCP)	584 candelas
Life	25,000 hours at L ₇₀
Correlated color temperature (CCT)	2700K

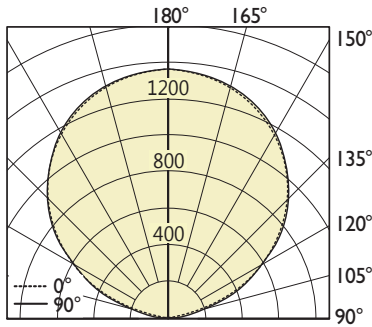
i More options are available upon request. Please consult factory.

● PHOTOMETRIC DATA

950 lm/ft



PHOTOMETRIC CURVE



Luminaire Lumens: 950 lm/ft
Input Watts: 7.1 W/ft
Efficacy: 134 lm/W

IES FILE: BBILED-950-80-35-C.IES
 TESTED ACCORDING TO IES LM-79-2008

CANDELA DISTRIBUTION

Vertical Angle	Horizontal Angles				
	0	22.5	45	67.5	90
90	0	0	0	0	0
95	16	8	3	1	1
105	202	194	181	137	137
115	470	461	449	440	448
125	724	721	701	692	697
135	939	934	921	914	914
145	1107	1102	1095	1094	1090
155	1227	1228	1222	1221	1217
165	1310	1311	1311	1311	1311
175	1355	1363	1360	1358	1356
180	1365	1365	1365	1365	1365

ZONAL LUMENS

Zone	Lumens
90	
90-100	18
100-110	186
110-120	446
120-130	630
130-140	712
140-150	686
150-160	564
160-170	370
170-180	129
180	

i All IES files are available for download at: www.axislighting.com