

Project _____

Type _____

Notes _____

PERFORMANCE PER LINEAR FOOT AT 4000K

NOMINAL LUMEN OUTPUT	INPUT WATTS*	EFFICACY
300 lm/ft	3.13 W/ft	96 lm/W
400 lm/ft	4.15 W/ft	96 lm/W
500 lm/ft	5.18 W/ft	97 lm/W
750 lm/ft	7.75 W/ft	97 lm/W
900 lm/ft	9.3 W/ft	97 lm/W

* Based on a 4 foot luminaire using one driver
Please consult factory for custom lumen output and wattage.



Ordering Guide

B3RLED	SL	NOM. LUMENS/FT		CRI	COLOR TEMP.	SHIELDING
PRODUCT ID	LIGHT ENGINE					
B3RLED Recessed LED	SL surroundlite	300 300 lm/ft		80 80 CRI	27 2700 K	FL flush
		400 400 lm/ft		90 90 CRI	30 3000 K	
		500 500 lm/ft			35 3500 K	
		750 750 lm/ft			40 4000 K	
		900 900 lm/ft				
Outputs between listed min and max are available. Consult factory for outputs outside of the listed range.						All lens options use spotless lens. See page 2-3 for more details.

LENGTH	FINISH	VOLTAGE	DRIVER	CIRCUITS	MOUNTING
2 2'	W white	120 120 V	DP dimming (0-10V) 1%	1 1 circuit	TB9 t-bar 9/16"
3 3'	C custom	277 277 V	D dimming (0-10V) 5% 347V standard ⁽²⁾	2 2 circuits	TB15 t-bar 15/16"
4 4'		347 347 V ⁽¹⁾	LT Lutron ⁽³⁾	+E(#) emergency circuit ⁽⁵⁾	ST screw slot t-bar
5 5'		UNV universal	BI bi-level dimming	+NL(#) night light circuit ⁽⁵⁾	TG9 tegular 9/16"
6 6'			O other ⁽⁴⁾	+GTD(#) generator transfer device ⁽⁵⁾	TG15 tegular 15/16"
8 8'					
12 12'					
S# system run					
Available in 1' increments		(1) D dimming (0-10V) 5% standard	(2) For 347V only (3) Specify system (4) Please consult factory; see page 2	(5) Specify quantity	

BATTERY (OPTIONAL)	OTHER (OPTIONAL)	IC CONTROLS (OPTIONAL)	CUSTOM (OPTIONAL)
B# battery pack 4' sections	F fuse ⁽⁶⁾ EF end feed FW(#) flex whip (6' std) CP Chicago plenum HD hold down clip ⁽⁷⁾	DS# daylight sensor OS# occupancy sensor DOS# daylight & occupancy sensor BED# bedlight control	C custom
Requires 120V or 277V Please consult factory	(6) Requires 120V or 277V (7) Only available for t-bar mounting	Please consult factory Specify quantity. Requires 8" blank. See pages 3-5 for more details.	Please specify

● SPECIFICATIONS

CONSTRUCTION

Housing	Extruded aluminum (0.075" nominal) Up to 70% recycled content
Interior Brackets	Die formed sheet steel (18 gauge)
Reflectors	White powder coated sheet steel (22 gauge)
Blank	Extruded aluminum (0.075" nominal)
Optical system	SurroundLite downlight optical system
Lens	Continuous acrylic, roll out lens
Screw Slot T-Bar Bracket	Die formed sheet steel (16 gauge)
Slip-Through Bracket	Die formed sheet steel (18 gauge)
Spackle Flange	Die formed perforated sheet steel (20 gauge)
Flange	Extruded aluminum (0.075" nominal) Visible flange width: 9/16"

● ELECTRICAL

Lutron driver L3D - Hi-Lume A-Series EcoSystem 3-Wire Control (1%)
LDE1 - EcoSystem H-Series (1%)
LDE5 - EcoSystem 5-Series (5%)
LTE - Hi-Lume® A-series 2Wires Forward Phase (1%)

Other drivers DALI - Digital Addressable Lighting Interface
DMX - Digital Multiplex
LV - line voltage - Advance Mark 10
Xitanium SR - For wireless sensor

Emergency Integral emergency battery pack or emergency circuit optional.


Input Voltage 120V, 277V, 347V, UNV.

i Incorporating these components may have limitations or affect the length of the luminaire. Please contact factory for more details.

● SYSTEM (S#)

BEAM3 SurroundLite linear systems, with the use of a strong profile, allow for a nearly hair thin connection system of continuous runs. Lengths of 4', 8', 12' as well as custom lengths are available. Runs of BEAM3 SurroundLite that are greater than 12ft in length are designated as systems (S#). This means that the run is comprised of a combination of 4', 8' and/or 12' sections to be assembled on site using our joining system. BEAM3 SurroundLite comes in increments of 1 foot. Corners and patterns are not available.

● APPROVALS

Certified to UL and CUL standards 
Meets NYC requirements
Meets CCEC requirements (Chicago plenum)
Suitable for damp locations
IC Rated (Insulated ceiling)

● WEIGHT

Recessed LED 4 ft	14.5 lbs / 6.6 kg
Recessed LED 8 ft	29.0 lbs / 13.2 kg
Recessed LED 12 ft	43.5 lbs / 19.7 kg

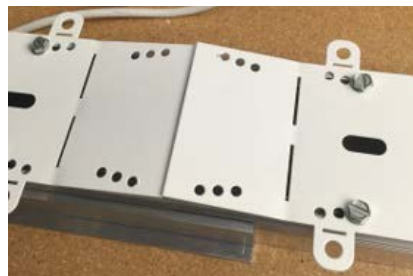
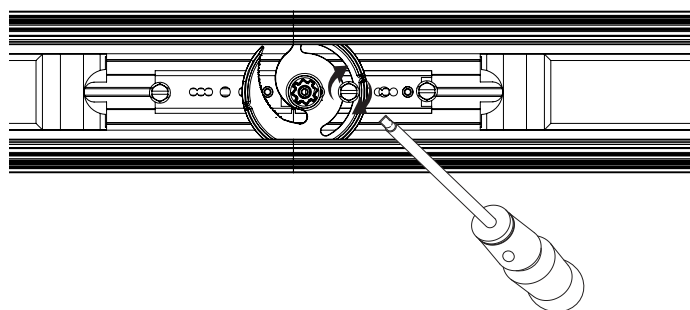
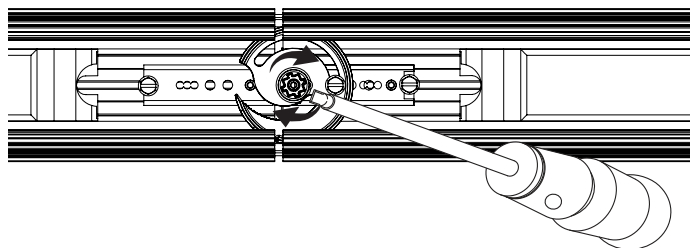
● CONTINUOUS ROLL OUT LENS

Quick to install quality press-in acrylic lens that will not crinkle or bow. Available in lengths of up to 48'.

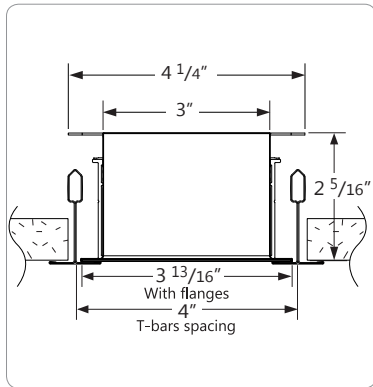


● JOINERS

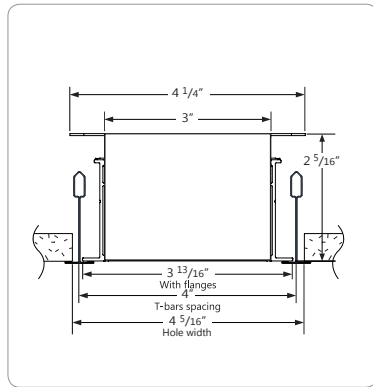
BEAM3 SurroundLite luminaires feature InstaJoiner, a unique joining system developed by Axis offering fast, single-screw tightening.



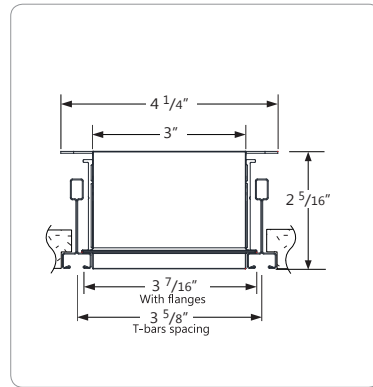
● **TB CEILING MOUNTING OPTIONS**



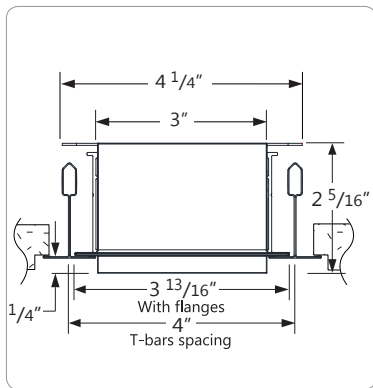
TB15 15/16" T-BAR



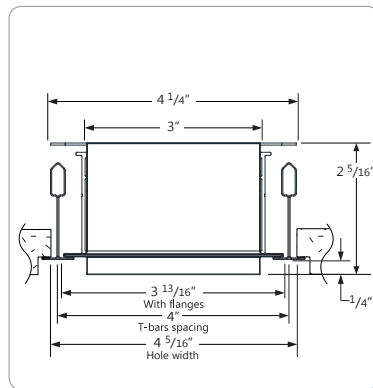
TB9 9/16" T-BAR



ST SCREW SLOT T-BAR



TG15 15/16" TEGULAR

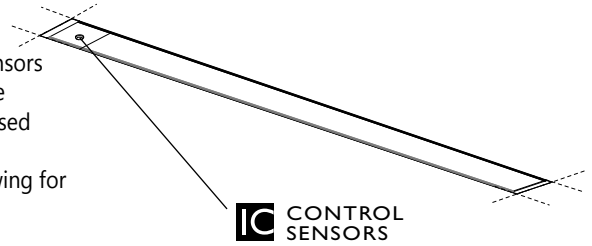


TG9 9/16" T-TEGULAR

● **INTEGRATED CONTROLS**

BEAM3 SurroundLite luminaires allow the use of integrated controls such as daylight sensors (DS), occupancy sensors (OS) and combination daylight/occupancy sensors (DOS). These options can be seamlessly integrated into our luminaires. The control system could be used to optimize the lighting of the space by reducing energy consumption through daylight harvesting and occupancy, thereby improving the overall interior environment and allowing for LEED credits.

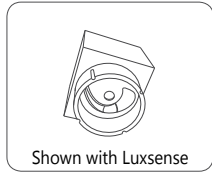
- Consult factory for other options.



The integrated control systems offered are:

● **DAYLIGHT HARVESTING (DS):**

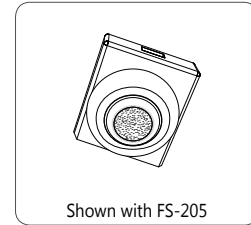
With Daylight sensors, maximum lamp output is reduced according to the available amount of natural light. By reducing maximum lamp output, energy consumption is reduced by up to 20 percent in a process known as "Daylight Harvesting".



Shown with Luxsense
EC-DIR-WH, FD-301
Luxsense, Micro Luxsense

● **OCCUPANCY (OS):**

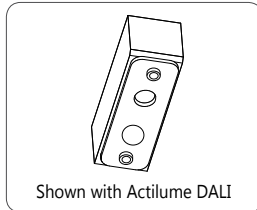
When a room is vacated, occupancy sensors ensure the light will be turned off after a programmed delay as well as ensuring that light remains on while the room is occupied.



Shown with FS-205
FS-205, FS-355,
FS-155 - Line Voltage
FS-505, FS-505C

● **DAYLIGHT HARVESTING AND OCCUPANCY (DOS):**

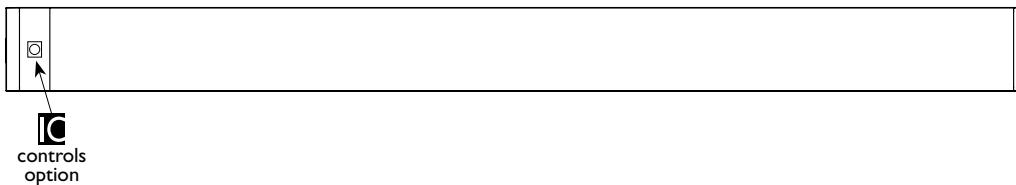
ACTILUME, a combination of Daylight & Occupancy sensor from Philips, along with a 0-10V or DALI driver can be used in one form factor.



Shown with Actilume DALI
Actilume 1-10V
Actilume DALI

● **INSTALLATION EXAMPLE**

Sensor location option



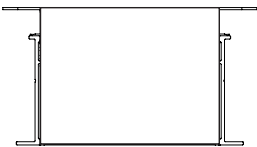
* Incorporating IC controls may affect the length of the luminaire. Please contact factory for more details.

● INTEGRATED CONTROL OPTIONS

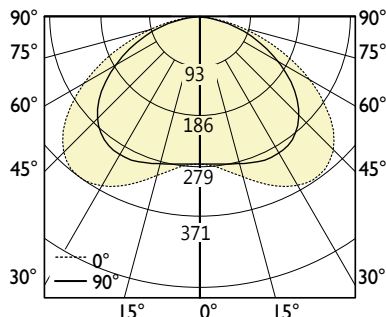
SENSORS	BRAND	Model	TYPE
Daylight Sensor (DS)	Lutron	EC-DIR-WH	Daylight, IR
	Wattstopper	FD-301	Daylight
	Philips	Luxsense, LR1220/00	Daylight
	Philips	Micro Luxsense	Daylight
	Wattstopper	LS-102	Light Saver (Ambient light level)
Occupancy Sensor (OS)	Wattstopper	FS-205v2	PIR Occupancy & Ambient light level
	Wattstopper	FS-355 (need lenses)	PIR Occupancy & Ambient light level
	Wattstopper	FS-155	PIR Occupancy & Ambient light level
	Wattstopper	FS-505	Ultrasonic Occupancy (Staircase)
	Wattstopper	FS-505C	Ultrasonic Occupancy (Open Area)
	Wattstopper	FM-105	High Frequency Occupancy (Wet)
	Lutron TriPak Wireless	LRF2-OCR2B-P-WH	PIR Occupancy
	Lutron	LOS-CDT	Ultrasonic Occupancy + PIR
	Lutron	LOS-CIR	PIR Occupancy
Daylight & Occupancy Sensors (DOS)	Philips	Actilume, LR11655	Daylight & PIR Occupancy
	Wattstopper	FS-305 (need Lenses)	PIR Occupancy
	Wattstopper	FS-305 RC	PIR Occupancy & Ambient light level
	Creston	GLS Series	Daylight and/or PIR Occupancy
	Echoflex	MOS Series	Daylight and/or PIR Occupancy

● PHOTOMETRIC DATA

300 lm/ft



PHOTOMETRIC CURVE



Luminaire Lumens: 300 lm/ft
Input Watts: 3.13 W
Efficacy: 96 lm/W

IES FILE: B3RLED-SL-300-80-35-FL-4.IES
 TESTED ACCORDING TO IES LM-79-2008

CANDELA DISTRIBUTION

Vertical Angle	Horizontal Angles				
	0	22.5	45	67.5	90
0	274	274	274	274	274
5	275	276	277	278	278
15	284	287	296	304	308
25	294	301	320	339	348
35	293	303	329	357	371
45	266	276	305	339	355
55	212	220	244	275	291
65	142	148	163	184	195
75	73	76	83	93	97
85	18	19	20	21	22
90					

ZONAL LUMENS

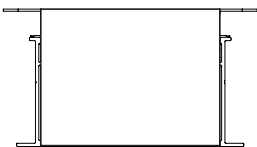
Zone	Lumens
0	
0-10	27
10-20	84
20-30	148
30-40	206
40-50	236
50-60	220
60-70	164
70-80	90
80-90	24
90	

LUMINANCE DATA (cd/m²)

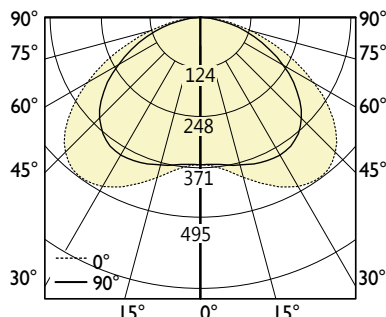
Vertical Angle	Horizontal Angles		
	0	45	90
45	3012	2480	2636
55	2900	2158	2291
65	2555	1634	1692
75	2008	993	974
85	1088	314	267

i All IES files are available for download at: www.axislighting.com

400 lm/ft



PHOTOMETRIC CURVE



Luminaire Lumens: 400 lm/ft
Input Watts: 4.15 W
Efficacy: 96 lm/W

IES FILE: B3RLED-SL-400-80-35-FL-4.IES
 TESTED ACCORDING TO IES LM-79-2008

CANDELA DISTRIBUTION

Vertical Angle	Horizontal Angles				
	0	22.5	45	67.5	90
0	366	366	366	366	366
5	367	368	369	371	371
15	378	383	395	406	410
25	392	402	427	452	463
35	390	404	439	476	495
45	354	368	406	452	474
55	282	293	326	366	388
65	189	197	218	245	260
75	97	101	111	123	130
85	23	25	27	29	29
90		2	2	2	

ZONAL LUMENS

Zone	Lumens
0	
0-10	36
10-20	112
20-30	198
30-40	275
40-50	315
50-60	294
60-70	219
70-80	120
80-90	32
90	

LUMINANCE DATA (cd/m²)

Vertical Angle	Horizontal Angles		
	0	45	90
45	4016	3307	3514
55	3867	2877	3055
65	3407	2178	2256
75	2677	1324	1299
85	1450	418	356

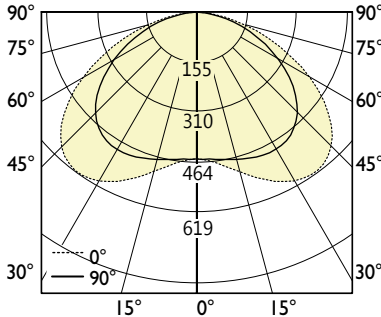
i All IES files are available for download at: www.axislighting.com

● **PHOTOMETRIC DATA**

500 lm/ft



PHOTOMETRIC CURVE



Luminaire Lumens: 500 lm/ft
Input Watts: 5.18 W
Efficacy: 97 lm/W

IES FILE: B3RLED-SL-500-80-35-FL-4.IES
 TESTED ACCORDING TO IES LM-79-2008

CANDELA DISTRIBUTION

Vertical Angle	Horizontal Angles				
	0	22.5	45	67.5	90
0	457	457	457	457	457
5	459	459	462	464	464
15	473	479	493	507	513
25	490	502	534	565	579
35	488	505	548	596	618
45	443	460	508	564	592
55	353	366	407	458	485
65	237	246	272	306	325
75	122	127	139	154	162
85	29	32	34	36	36
90	2	2	2	2	1

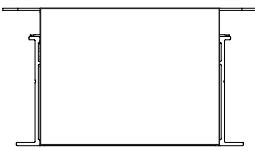
ZONAL LUMENS

Zone	Lumens
0	
0-10	44
10-20	141
20-30	247
30-40	344
40-50	394
50-60	367
60-70	274
70-80	150
80-90	40
90	

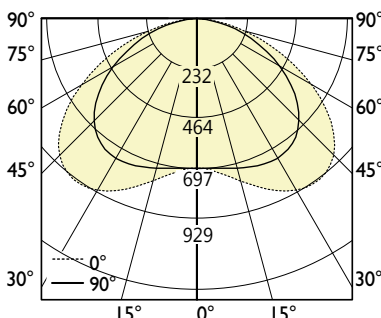
LUMINANCE DATA (cd/m²)

Vertical Angle	Horizontal Angles		
	0	45	90
45	5020	4133	4393
55	4833	3597	3819
65	4259	2723	2820
75	3347	1656	1624
85	1813	523	445

750 lm/ft



PHOTOMETRIC CURVE



Luminaire Lumens: 750 lm/ft
Input Watts: 7.75 W
Efficacy: 97 lm/W

IES FILE: B3RLED-SL-750-80-35-FL-4.IES
 TESTED ACCORDING TO IES LM-79-2008

CANDELA DISTRIBUTION

Vertical Angle	Horizontal Angles				
	0	22.5	45	67.5	90
0	685	685	685	685	685
5	688	689	692	695	696
15	710	719	740	761	769
25	735	754	800	847	869
35	731	757	822	893	928
45	665	690	762	847	888
55	529	550	610	687	727
65	355	369	408	460	487
75	183	190	208	231	244
85	44	47	51	54	55
90	3	3	3	3	2

ZONAL LUMENS

Zone	Lumens
0	
0-10	67
10-20	211
20-30	371
30-40	516
40-50	591
50-60	551
60-70	410
70-80	224
80-90	60
90	

LUMINANCE DATA (cd/m²)

Vertical Angle	Horizontal Angles		
	0	45	90
45	7530	6200	6589
55	7250	5395	5728
65	6388	4084	4230
75	5020	2483	2435
85	2719	784	667

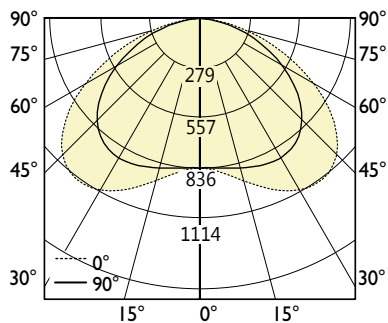
i All IES files are available for download at: www.axislighting.com

● **PHOTOMETRIC DATA**

900 lm/ft



PHOTOMETRIC CURVE



Luminaire Lumens: 900 lm/ft
Input Watts: 9.3 W
Efficacy: 97 lm/W

IES FILE: B3RLED-SL-900-80-35-FL-4.IES
 TESTED ACCORDING TO IES LM-79-2008

CANDELA DISTRIBUTION

Vertical Angle	Horizontal Angles				
	0	22.5	45	67.5	90
0	822	822	822	822	822
5	826	827	831	835	835
15	852	862	888	913	923
25	882	904	960	1017	1043
35	878	908	987	1072	1113
45	797	828	914	1016	1066
55	635	660	732	824	873
65	426	443	490	552	585
75	219	228	249	278	292
85	53	57	61	64	65
90	3	4	3	4	2

LUMINANCE DATA (cd/m²)

Vertical Angle	Horizontal Angles		
	0	45	90
45	9037	7440	7907
55	8700	6474	6874
65	7666	4901	5076
75	6024	2980	2922
85	3263	941	800

ZONAL LUMENS

Zone	Lumens
0	
0-10	80
10-20	253
20-30	445
30-40	619
40-50	709
50-60	661
60-70	492
70-80	269
80-90	72
90	