

Spotless Lens

Project _____

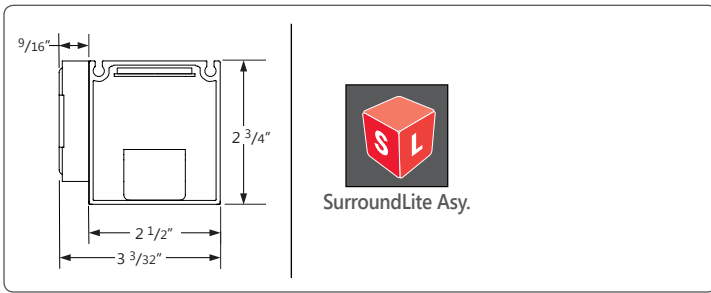
Type _____

Notes _____

PERFORMANCE PER LINEAR FOOT AT 3500K

NOMINAL LUMEN OUTPUT	INPUT WATTS*	EFFICACY	SHIELDING
1100 lm/ft	11.2 W/ft	106 lm/ft	SLA

Please consult factory for custom lumen output and wattage.



Ordering Guide

B2SQILED		NOM. LUMENS/FT		CRI		COLOR TEMP.		SHIELDING	
PRODUCT ID		400	400 lm/ft - Minimum	80	80 CRI	27	2700 K	SLA	SurroundLite asymmetric
B2SQWILED	Wall Indirect LED	1100	1100 lm/ft - Maximum	90	90 CRI	30	3000 K		
						35	3500 K		
						40	4000 K		

Outputs between listed min and max are available. Consult factory for outputs outside of the listed range.

LENGTH		FINISH		VOLTAGE		DRIVER		CIRCUITS	
2	2'	AP	aluminum paint	120	120 V	DP	dimming (0-10V) 1%	1	1 circuit
3	3'	W	white	277	277 V	D	dimming (0-10V) 5% 347V standard ⁽²⁾	2	2 circuits
4	4'	BLK	black	347	347 V ⁽¹⁾	LT	Lutron ⁽³⁾	+E(#)	emergency circuit ⁽⁵⁾
5	5'	C	custom	UNV	universal	BI	bi-level dimming	+NL(#)	night light circuit ⁽⁵⁾
6	6'					O	other ⁽⁴⁾	+GTD(#)	generator transfer device ⁽⁵⁾
8	8'							+M	MR
12	12'								
S#	system run *								

*SurroundLite available in 1' increments only

(1) D dimming (0-10V) 5% standard

(2) For 347 V only

(3) Specify system

(4) Please consult factory; see page 2

(5) Specify quantity

BATTERY (OPTIONAL)	OTHER (OPTIONAL)	IC CONTROLS (OPTIONAL)	CUSTOM (OPTIONAL)
B# battery pack (integral)	F fuse	DS# daylight sensor OS# occupancy sensor DOS# daylight & occupancy sensor EN# Enlighted integral ⁽⁷⁾ ENR# Enlighted remote ⁽⁷⁾ WC# wireless control dimming	C custom
Requires 120V or 277V Minimum 4ft; please consult factory	Requires 120V or 277V	(6) Please consult factory Specify quantity. Requires 8" blank See integrated controls guide for more details.	Please specify

● **SPECIFICATIONS**

CONSTRUCTION

Housing	Extruded aluminum (0.075" nominal) Up to 70% recycled content
End Cap	Cast aluminum
Interior Brackets	Die formed sheet steel (20 gauge)
Reflectors	White powder coated sheet steel (22 gauge)

● **ELECTRICAL**

Lutron driver*	L3D - Hi-Lume A-Series EcoSystem 3-Wire Control (1%) LDE1 - EcoSystem H-Series (1%) LDE5 - EcoSystem 5-Series (5%) LTE - Hi-Lume® A-series 2Wires Forward Phase (1%) <small>*Consult factory</small>
Other drivers	DALI - Digital Addressable Lighting Interface DMX - Digital Multiplex LV - line voltage - Advance Mark 10 Xitanium SR - For wireless sensor
Emergency	Integral emergency battery pack or emergency circuit optional.
Input Voltage	120V, 277V, 347V, UNV.

i Incorporating these components may have limitations or affect the length of the luminaire. Please contact factory for more details.

● **LED SYSTEM**

CRI	Minimum 80 or 90 color rendering index.
CCT	Choice of 2700K, 3000K, 3500K and 4000K color temperature with a great color consistency (within 3-step MacAdam ellipse). Both within fixture and fixture to fixture.
LED life	Minimum 50,000h with 85% of lumen maintenance in 25°C ambient temperature, in compliance with IES LM-80 testing measurements.
Thermal Management	Aluminum housing acting as the heat sink to maximize life.
Environment	Dry and damp rated in operating ambient temperatures of 0-40°C (32-104F).

● **SYSTEM (S#)**

BEAM2 SQUARE linear systems, with the use of a strong profile, allow for a nearly hair thin connection system of continuous runs. Lengths of 4', 8', 12' as well as custom lengths in 1' increments are available. Runs of BEAM2 SQUARE that are greater than 12' in length are designated as systems (S#). This means that the run is comprised of a combination of 4', 8' and/or 12' sections to be assembled on site using our joining system. For more information on systems and joining, please refer to the BEAM installation sheets available for download at www.axislighting.com.

● **WARRANTY**

Axis Lighting will warrant defective LEDs, boards, and drivers for 5 years from date of purchase. Warranty is valid if luminaire is installed and used according to specifications. If defective, Axis will send replacement boards or drivers at no cost along with detailed replacement instructions and instructions on how to return defective components to Axis.

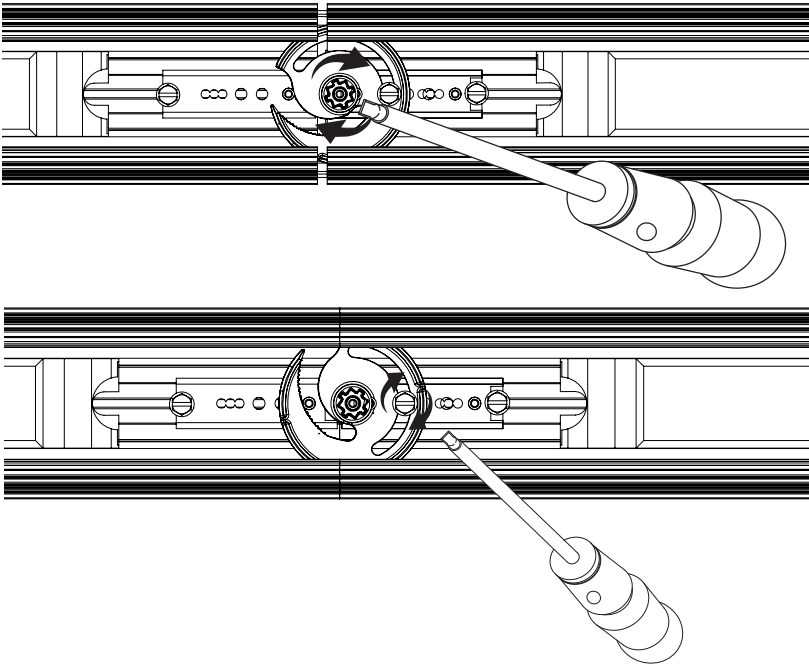
● InstaJoiner

TWIN BEAM2 SurroundLite luminaires feature InstaJoiner, a unique, patent-pending joining system developed by Axis offering fast, single-screw tightening.

NOTE: Mount each system segment individually.

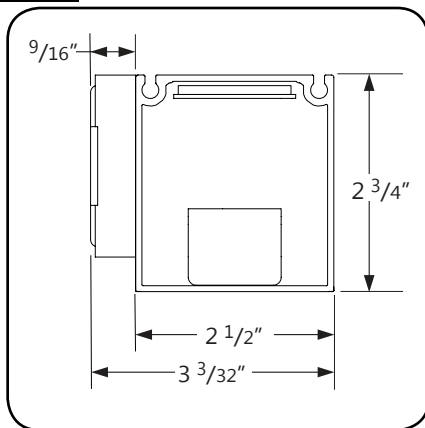
Do not assemble system prior to mounting

i Allow a minimum of 6" between end of long runs and wall.

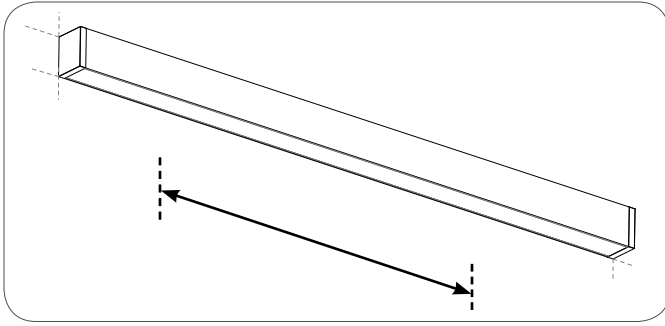


● SECTION VIEWS

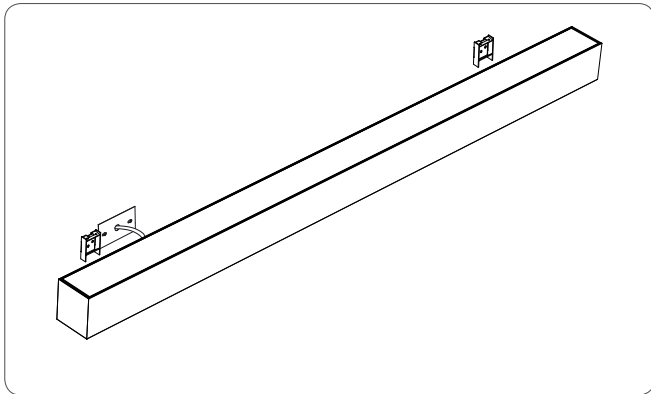
SLA SurroundLite Asymmetric



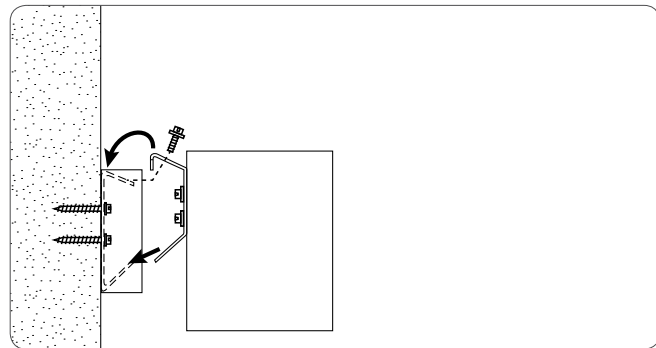
● MOUNTING SPACING



● HORIZONTAL MOUNTING DETAILS

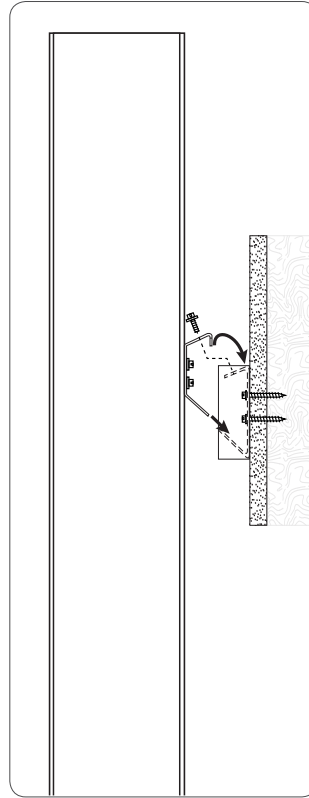


MOUNTING BRACKETS

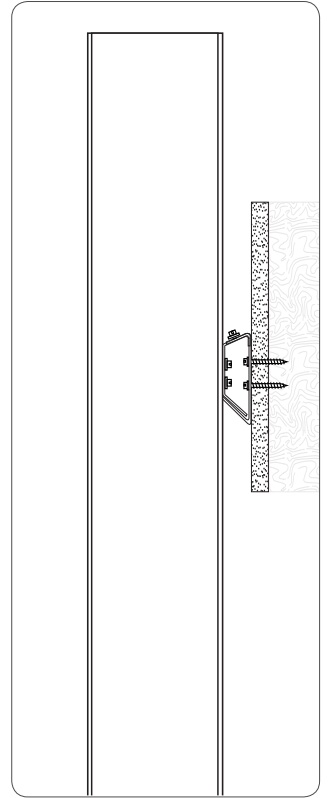


SIDE VIEW

● VERTICAL MOUNTING DETAILS



MOUNTING BRACKETS



SIDE VIEW

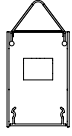
● OTHER MOUNTING OPTIONS

BEAM2 SQUARE is also available as Pendant or Surface.

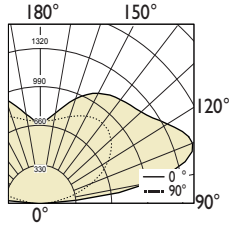
- i** Specification sheets and installation sheets for all mountings for BEAM2 SQUARE luminaires are available for download at www.axislighting.com.

● PHOTOMETRIC DATA

Uplight
1100 lm/ft



PHOTOMETRIC CURVE



Lumen/ft up: 1100 lm/ft
Lumen/ft down: 0 lm/ft
Total Lumens: 4402 lm (for 4ft)
Input Watts: 42.7 W
Efficacy: 103 lm/W

IES FILE: B2SQWILED-1100-0-80-35-SL-4.IES

TESTED ACCORDING TO IES LM-79-2008

80 CRI shown. To calculate watts and efficacy at 90 CRI, apply a multiplier of 0.8.

CANDELA DISTRIBUTION

Vertical Angle	Horizontal Angles				
	0	22.5	45	67.5	90
90	3	3	2	2	2
95	293	308	219	124	66
105	1221	1009	538	368	315
115	1276	1039	697	585	553
125	1119	997	815	737	706
135	1040	986	885	811	779
145	991	960	889	816	779
155	900	879	823	756	725
165	758	745	711	675	660
175	633	631	627	622	620
180	614	614	614	614	614

ZONAL LUMENS

Zone	Lumens
90	
90-100	250
100-110	688
110-120	799
120-130	775
130-140	693
140-150	555
150-160	378
160-170	203
170-180	61
180	