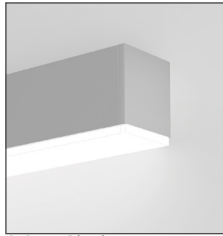
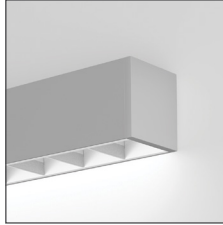


Spotless lens



0.25" Glo lens



Louver

Project _____

Type _____

Notes _____

PERFORMANCE PER LINEAR FOOT AT 3500K

NOMINAL LUMEN OUTPUT	INPUT WATTS*	EFFICACY	SHIELDING
1000 lm/ft	9.9 W/ft	97 lm/W	L

Please consult factory for custom lumen output and wattage.



Ordering Guide

B2SQDLED		NOM. LUMENS/FT		CRI	COLOR TEMP.	SHIELDING	
PRODUCT ID		400	1000	80	27	SO	
B2SQDLED	Wall Direct LED	400 lm/ft - Minimum	1000 lm/ft - Maximum*	80 CRI	2700 K	spotless lens	
				90 CRI	3000 K	louver ⁽¹⁾	
					3500 K	0.25G 0.25" Glo lens	
					4000 K		
Outputs between listed min and max are available. Consult factory for outputs outside of the listed range. * For louver only						SurroundLite not available with direct (1) Available in 3" and 4" combinations; otherwise consult factory.	

LENGTH	MR (OPTIONAL)	FINISH	VOLTAGE	DRIVER	CIRCUITS
2 2'	DMLED(#) downlight modle LED	AP aluminum paint	120 120 V	DP dimming (0-10V) 1%	1 1 circuit
3 3'		W white	277 277 V	LT Lutron ⁽²⁾	2 2 circuits
4 4'		BLK black	347 347 V	BI bi-level dimming	+E(#) emergency circuit ⁽⁴⁾
5 5'		C custom	UNV universal	O other ⁽³⁾	+NL(#) night light circuit ⁽⁴⁾
6 6'					+GTD(#) generator transfer device ⁽⁴⁾
8 8'					+M MR
12 12'					
S# system run					
Add 6" per lamp. Specify quantity. Separate circuits included.				(2) Specify system (3) Please consult factory; see page 2	(4) Specify quantity

BATTERY (OPTIONAL)	OTHER (OPTIONAL)	IC CONTROLS (OPTIONAL)	CUSTOM (OPTIONAL)
B# battery pack (integral)	F fuse	DS# daylight sensor OS# occupancy sensor DOS# daylight & occupancy sensor EN# Enlighted integral ⁽⁵⁾ ENR# Enlighted remote ⁽⁵⁾ WC# wireless control dimming	C custom
Minimum 4ft; please consult factory. Not available with 347V.	Requires 120V or 277V	(5) Please consult factory Specify quantity. Requires 8" blank See integrated controls guide for more details.	Please specify

● **SPECIFICATIONS**

CONSTRUCTION

Housing	Extruded aluminum (0.075" nominal) Up to 70% recycled content
End Cap	Cast aluminum
Interior Brackets	Die formed sheet steel (20 gauge)
Reflectors	White powder coated sheet steel (22 gauge)
Louvers	Die formed semi-specular aluminum (22 gauge)
Lenses	Extruded acrylic (0.070" nominal)

● **ELECTRICAL**

Lutron driver*	LDE1 - EcoSystem H-Series (1%) LDE5 - EcoSystem 5-Series (5%) LTE - Hi-Lume® A-series 2Wires Forward Phase (1%) *Consult factory
Other drivers	DALI - Digital Addressable Lighting Interface DMX - Digital Multiplex LV - line voltage - Advance Mark 10 Xitanium SR - For wireless sensor
Emergency	Integral emergency battery pack or emergency circuit optional.
Input Voltage	120V, 277V, 347V, UNV.

i Incorporating these components may have limitations or affect the length of the luminaire. Please contact factory for more details.

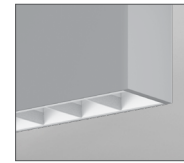
● **LED SYSTEM**

CRI	Minimum 80 or 90 color rendering index.
CCT	Choice of 2700K, 3000K, 3500K and 4000K color temperature with a great color consistency (within 3-step MacAdam ellipse). Both within fixture and fixture to fixture.
LED life	Minimum 50,000h with 85% of lumen maintenance in 25°C ambient temperature, in compliance with IES LM-80 testing measurements.
Thermal Management	Aluminum housing acting as the heat sink to maximize life.
Environment	Dry and damp rated in operating ambient temperatures of 0-40°C (32-104F).
Louver LED	Individual for LED cluster in each louver cell.

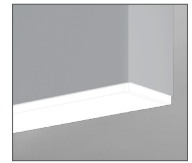
● **OPTICS**



50 spotless lens



L Louver



0.25G Glo lens

SPOTLESS LENS

Frosted acrylic snap-in micro lens.

PARABOLIC LOUVERS

Die formed semi-specular aluminum (22 gauge).

GLO LENS

0.25" frosted acrylic drop lens. Patented design.

● **SYSTEM (S#)**

BEAM2 SQUARE linear systems, with the use of a strong profile, allow for a nearly hair thin connection system of continuous runs. Lengths of 4', 8', 12' as well as custom lengths are available. Runs of BEAM2 SQUARE that are greater than 12' in length are designated as systems (S#). This means that the run is comprised of a combination of 4', 8' and/or 12' sections to be assembled on site using our joining system. For more information on systems and joining, please refer to the BEAM2 installation sheets available for download at www.axislighting.com.

● **WARRANTY**

Axis Lighting will warrant defective LEDs, boards, and drivers for 5 years from date of purchase. Warranty is valid if luminaire is installed and used according to specifications. If defective, Axis will send replacement boards or drivers at no cost along with detailed replacement instructions and instructions on how to return defective components to Axis.

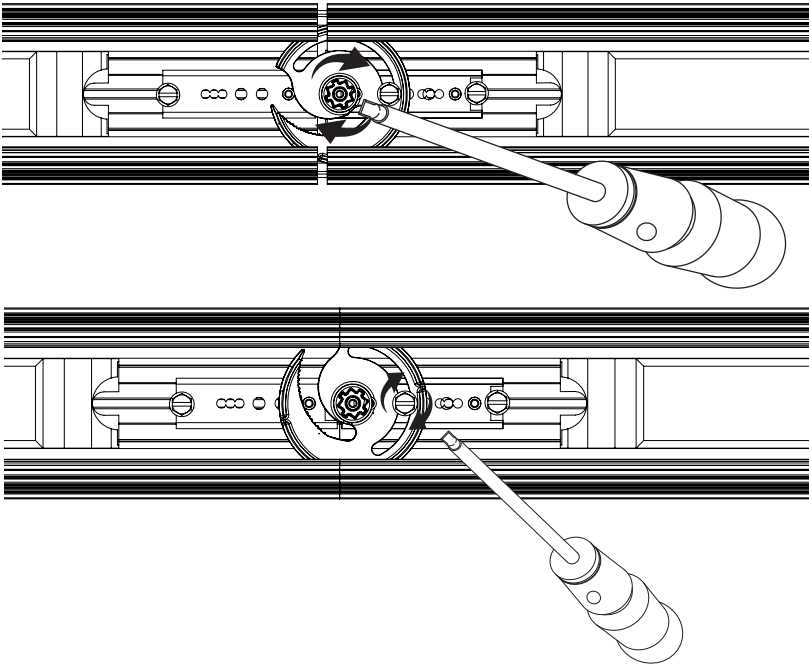
● InstaJoiner

TWIN BEAM2 SurroundLite luminaires feature InstaJoiner, a unique, patent-pending joining system developed by Axis offering fast, single-screw tightening.

NOTE: Mount each system segment individually.

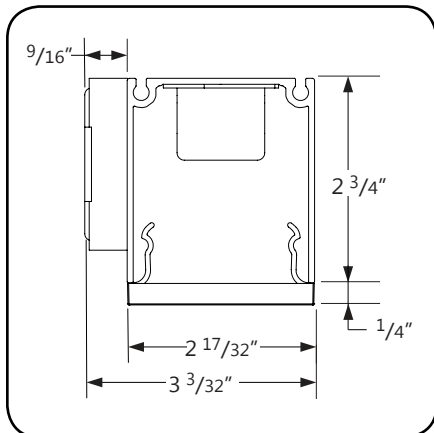
Do not assemble system prior to mounting

i Allow a minimum of 6" between end of long runs and wall.

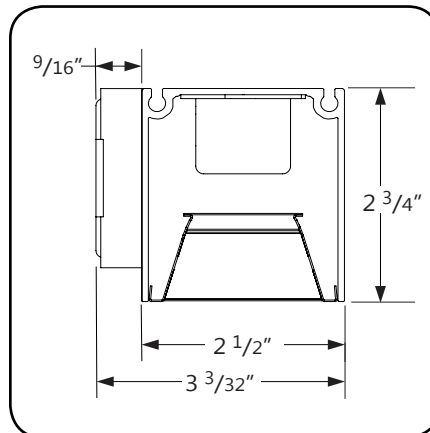


● SECTION VIEWS

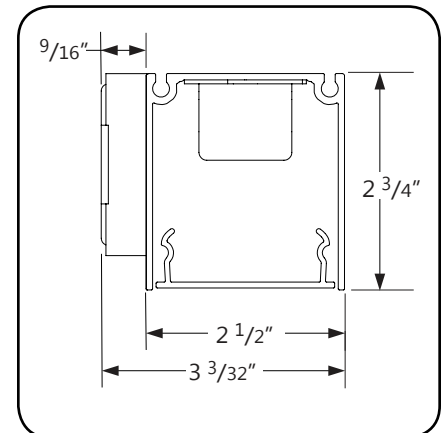
0.25G 0.25" Glo lens



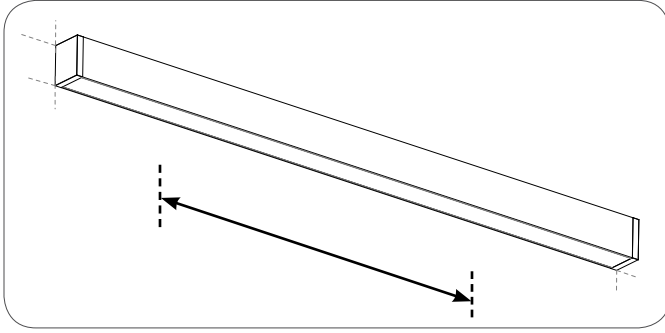
L Louver



SO Spotless lens



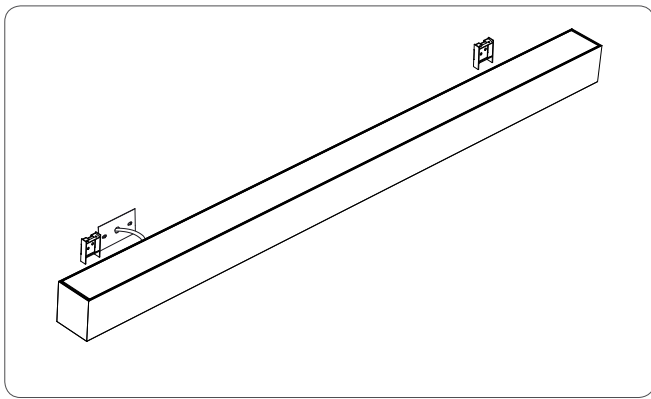
● MOUNTING SPACING



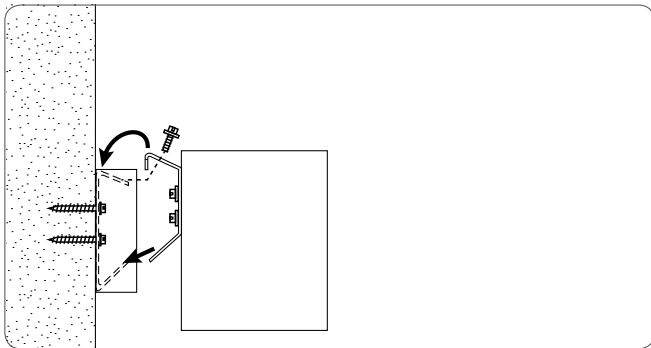
BEAM2 SQUARE 4' (32" C.C.)
BEAM2 SQUARE 8' (80" C.C.)
BEAM2 SQUARE 12' (128" C.C.)

NOTE: Use stud if possible for mounting

● HORIZONTAL MOUNTING DETAILS

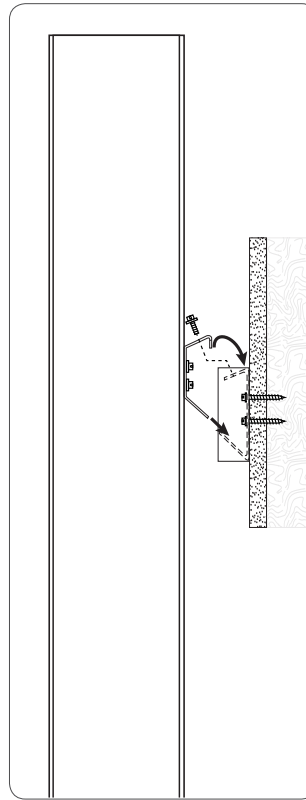


MOUNTING BRACKETS

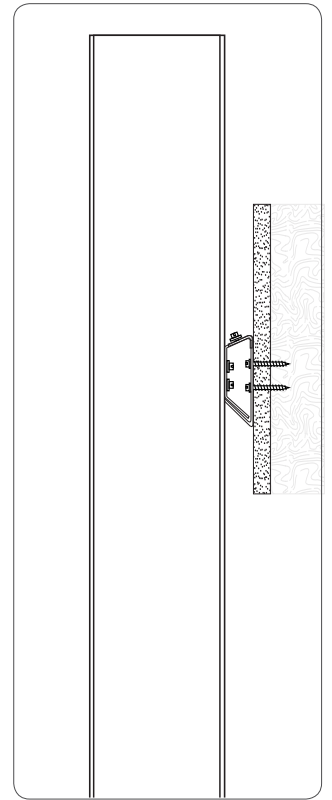


SIDE VIEW

● VERTICAL MOUNTING DETAILS



MOUNTING BRACKETS



SIDE VIEW

● OTHER MOUNTING OPTIONS

BEAM2 SQUARE is also available as Pendant or Surface.

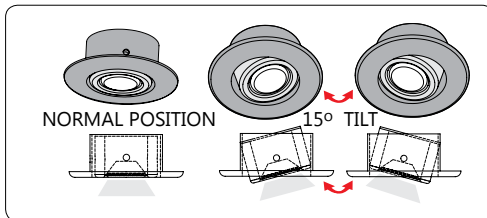
i Specification sheets and installation sheets for all mountings for BEAM2 SQUARE luminaires are available for download at www.axislighting.com.

● DMLED MODULE

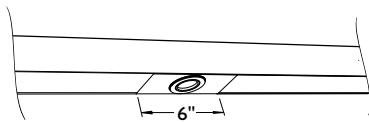
Blank	Extruded aluminum (0.075" nominal)
LED Module	2" diameter
Quantity	For every 4' section, there may be up to a maximum of 4 x DMLED module.
Spacing	Each DMLED module is placed centered on a blank section 6" in length.

For a series of modules within a given section length, they will be spaced evenly on a longer blank section.
Custom spacing may be available on special request.

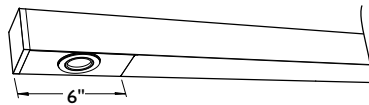
Tilt 15° each side.



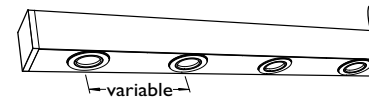
Between sections



At luminaire ends



Several in a long blank section



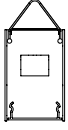
Beam Angle	30 nominal degrees
Input Watts	3W
Nominal Lumens	126 lumens
Efficacy	42 lumens per watt
Color Rendering Index (CRI)	80
Life	25,000 hours at L ₇₀
Correlated color temperature (CCT)	3000K

i More options are available upon request.
Please consult factory.

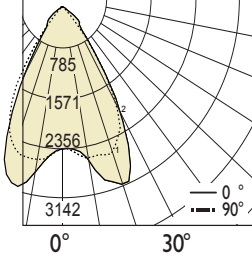
* See photometric report.

PHOTOMETRIC DATA

1000 lm/ft



PHOTOMETRIC CURVE



Lumen/ft: 1000 lm/ft
Total Lumens: 3854 lm (for 4ft)
Input Watts: 39.6 W
Efficacy: 97 lm/W

IES FILE: B2SQWDLED-0-1000-80-35-L-4.IES

TESTED ACCORDING TO IES LM-79-2008

80 CRI shown. To calculate watts and efficacy at 90 CRI, apply a multiplier of 0.8.

CANDELA DISTRIBUTION

Vertical Angle	Horizontal Angles				
	0	22.5	45	67.5	90
0	2297	2297	2297	2297	2297
5	2356	2348	2337	2321	2312
15	2483	2504	2693	2915	2904
25	2322	2513	3107	3055	2851
35	1290	1752	2342	1633	1320
45	194	307	658	478	428
55	32	48	76	175	250
65	6	8	13	17	20
75	2	2	3	5	5
85	0	1	1	1	1
90	0	0	0	0	0

ZONAL LUMENS

Zone	Lumens
0	
0-10	228
10-20	768
20-30	1260
30-40	1073
40-50	397
50-60	106
60-70	19
70-80	4
80-90	1
90	

LUMINANCE DATA (cd/m²)

Vertical Angle	Horizontal Angles		
	0	45	90
45	4597	15642	10171
55	949	2223	7334
65	219	521	807
75	110	208	312
85	77	154	212