



# PENDANT MOUNT

## PROJECT INFORMATION

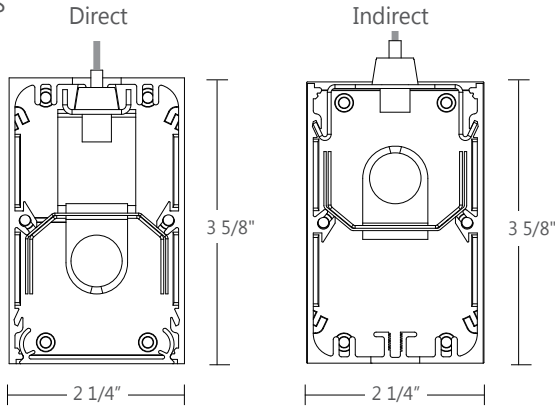
Project:

Type:

Notes:

## DIMENSIONS

### SECTION VIEWS



## ORDERING CODE

1	2	3	4	5	6	7	8	9	10	11	12	13	14	15	16
---	---	---	---	---	---	---	---	---	----	----	----	----	----	----	----

## PRODUCT SPECIFICATIONS

1 PRODUCT ID	2 OPTICS	3 LENGTH (FT)	4 SPECIFY LENGTH	5 LAMP	6 LAMP CONFIGURATION
<b>BD</b> pendant direct	<b>S</b> satin lens	<b>2</b> 2'	<b>NL</b> nominal (3' & 4' lamps)	<b>T5</b> T5	<b>0</b> 0 lamp
<b>BI</b> pendant indirect	<b>F</b> frosted lens <sup>(1)</sup>	<b>3</b> 3'	<b>NL4</b> nominal (4' lamps only)	<b>T5HO</b> T5HO	<b>1</b> 1 lamp
	<b>PL</b> semi spec. para. louvers	<b>4</b> 4'	<b>EX</b> exact (3' & 4' lamps)	<b>T8</b> T8	<b>+S</b> staggered <sup>(4)</sup>
	<b>C</b> clear lens	<b>5</b> 5'	<b>EX4</b> exact (4' lamps only)		
	<b>NO</b> no lens <sup>(2)</sup>	<b>6</b> 6'			
	<b>B</b> blank <sup>(3)</sup>	<b>8</b> 8'			
	(1) not recommended with staggered lamping (2) for direct only (3) for MR only				(4) Not available with T8 lamping.

7 MR	8 FINISH	9 VOLTAGE	10 BALLAST	11 CIRCUITS
<b>M11#</b> MR 11 halogen	<b>AP</b> aluminum paint	<b>120</b> 120 V	<b>D</b> dimming	<b>1</b> 1 regular
<b>M11LED#</b> MR 11 LED	<b>W</b> white	<b>277</b> 277 V	<b>E</b> instant start <sup>(6)</sup>	<b>2A/B</b> 2 alternating
	<b>BLK</b> black	<b>347</b> 347 V <sup>(5)</sup>	<b>ERS</b> program start	<b>+E(#)</b> emergency section
	<b>C</b> custom	<b>UNV</b> universal	<b>BI</b> bi-level dimming	<b>+NL(#)</b> night light section
				<b>+GTD(#)</b> generator transfer device
				<b>+M</b> MR
Add 6" per lamp Requires 120V or 277V		(5) Please consult factory	(6) Available with T8 lamp only	

12 MOUNTING/SUSPENSION	13 BATTERY (OPTIONAL)	14 OTHER (OPTIONAL)	15 IC CONTROLS (OPTIONAL)	16 CUSTOM (OPTIONAL)
<b>CA#</b> drywall+cable length (36" std.)	<b>B#</b> battery pack 4' sections	<b>F</b> fuse	<b>DS#</b> daylight sensor	<b>C</b> custom
<b>CT9-#</b> TB/TG 9/16+cable length (36" std.)			<b>OS#</b> occupancy sensor	
<b>CT15-#</b> TB/TG15/16+cable length (36" std.)			<b>DOS#</b> daylight&occupancy sensor	
<b>CTS#</b> ST+cable length (36" std.)				
<b>SA#</b> drywall+stem length >48" (18" std.)				
See ceiling mounting guide for further details	Requires 120V or 277V		See integrated controls guide for further details	Please specify



## ● CONSTRUCTION

<b>Housing</b>	Extruded Aluminum (0.075" nominal) up to 70% Recycled Content
<b>End Cap</b>	Sheet Steel (18 ga)
<b>Interior Brackets</b>	Die Formed Sheet Steel (18 gauge)
<b>Reflectors</b>	White Powder Coated Sheet Steel (22 ga)
<b>Louvers</b>	Die Formed Semi-Specular Aluminum (22 ga)
<b>Blank</b>	Extruded Aluminum (0.075" nominal)
<b>Lenses</b>	Extruded Acrylic (0.070" nominal) Satin: 68% efficiency Frosted: 85% efficiency
<b>Hanger</b>	Die Formed Sheet Steel (16 gauge)
<b>Suspension</b>	Aircraft Cable or Ø 1/2" Stem
<b>Cable Grips</b>	Quick Connecting / Release

## ● WEIGHT

<b>4 ft</b>	10.5 lbs / 4.8 kg
<b>8 ft</b>	21.0 lbs / 9.6 kg
<b>12 ft</b>	31.5 lbs / 14.4 kg

## ● SYSTEM (S#)

BEAM 2 linear systems, with the use of a strong profile, allow for a nearly hair thin connection system of continuous runs. Lengths of 4', 8', 12' as well as custom lengths are available. Runs of BEAM 2 that are greater than 12' in length are designated as systems (S#). This means that the run is comprised of a combination of 4', 8' and/or 12' sections to be assembled on site using our joining system. For more information on systems and joining, please refer to the BEAM installation sheets available for download at [www.axislighting.com](http://www.axislighting.com).

## ● ELECTRICAL

**Ballast** Electronic IS, Electronic Rapid Start, Dimming (0-10V, Line, EcoSystem, DALI), BI-level dimming  
With preinstalled ballast disconnect as per NEC & CEC

**Emergency** Emergency battery pack or emergency circuit

**Voltage** 120V, 277V, 347V, UNV

**i** Incorporating these components may have limitations or effect the length of the luminaire, please contact factory for more details.

## ● FINISH

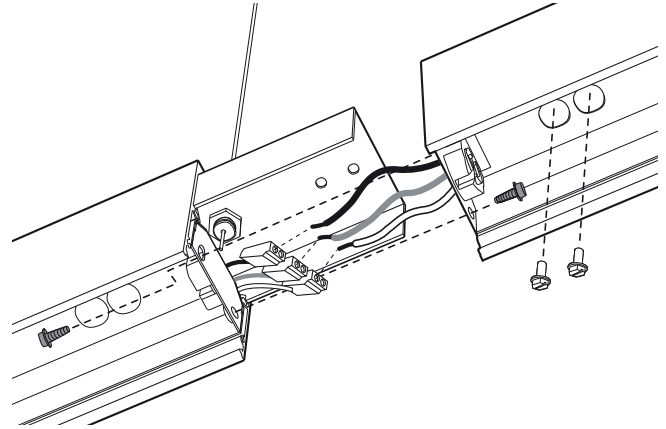
Aluminium paint, Powder Coated and custom finishes are also available.

## ● APPROVALS

Certified to UL and CUL standards   
 Meets NYC requirements  
 Suitable for damp locations.

## ● JOINERS

In order to allow very long runs of BEAM 2 luminaires, Axis has developed an effective joining system. Special care has been taken to maximize the performance of the joiner for each BEAM option.

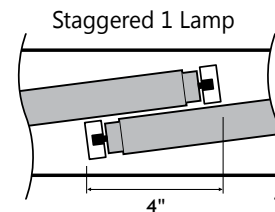


**NOTE:** Hang each system segment individually. Do not assemble system prior to hanging.

## ● STAGGERED LAMPING

When BEAM 2 is used in continuous runs longer than 4', staggered lamping can be used to eliminate the appearance of socket shadows at the ends of the lamps. BEAM 2 uses a staggered overlap of bracket lengths (4"), along with 3' and 4' lamps, allowing us to match almost any row length requirements with optimal results. For example 3 x 3' staggered T5 lamps can be used to completely illuminate the lens of an 8' nominal luminaire.

LAMP TYPE	T5	T5HO
1 lamp	•	•



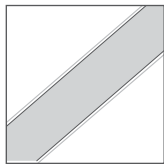
## OPTICS

### Satin & Frosted Lens - (acrylic snap-in lens)

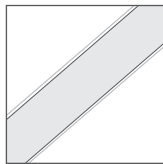
satin: 68% trans.  
 frosted: 85% trans.

### Semi-spec. parabolic louver

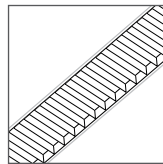
9/16" deep blades – 5/8" spacing  
 72 blades per 4'



S satin lens



F frosted lens

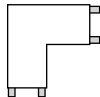
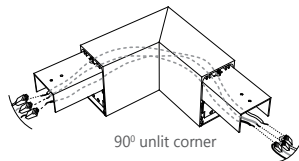


PL semi-specular parabolic louvers

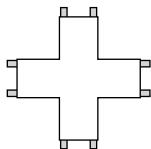
## CORNERS

### Unlit Corners - BEAM2

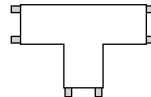
features a multitude of layout patterns with the use of a number of corners, 90° corner, T or X junctions.



90° corner

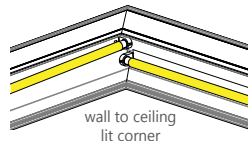


X junction



T junction

**Lit Corners** - In addition Axis offers 90° Wall to Ceiling lit corners.



**i** For custom corner angles, please consult factory. Specifications sheets for all corners are available at: [www.axislighting.com](http://www.axislighting.com)

## MR11

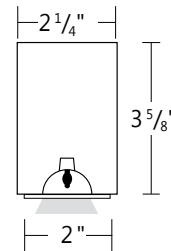
**Blank MR11 Halogens MR11 LED Quantity**

Extruded Aluminum (0.075" nominal)  
 1.4" diameter (20W / 35W)  
 1.4" diameter

For every 4' fluorescent lamp section, there may be up to a maximum of 4 x MR11 lamps.

Each MR11 is placed centered on a blank section 6" in length.

### Spacing

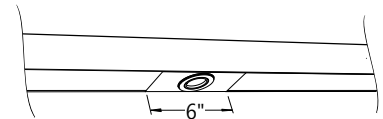


For a series of MR11's within a given section length, they will be spaced evenly on a longer blank section.

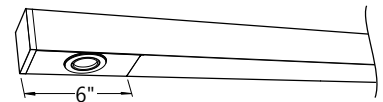
The directed light of MR11 Halogen lamps are fixed downward.

Custom spacing may be available on special request.

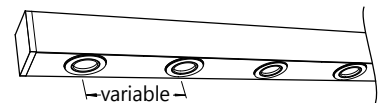
**Between fluorescent lamps sections**



**At luminaire ends**



**Several in a long blank section**





# PENDANT MOUNT

**T5/T5HO LAMP** 4' (46 <sup>5</sup>/<sub>16</sub>" C.C.)  
 8' (92 <sup>5</sup>/<sub>8</sub>" C.C.)  
 12' (138 <sup>15</sup>/<sub>16</sub>" C.C.)

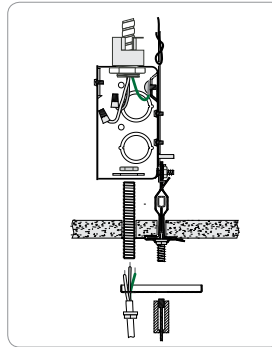
**T8 LAMP** 4' (48" C.C.)  
 8' (96" C.C.)  
 12' (144" C.C.)

**T5/T5HO I LAMP**  
 8' 3X3' (95 <sup>1</sup>/<sub>2</sub>" C.C.)  
 8' 2X4' (88 <sup>5</sup>/<sub>8</sub>" C.C.)  
 12' 3X4' (130 <sup>15</sup>/<sub>16</sub>" C.C.)  
 12' 2X4'+2X3' (149 <sup>5</sup>/<sub>8</sub>" C.C.)

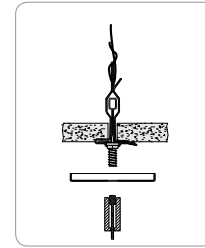
**T8 I LAMP** 8' 3X3' (100" C.C.)  
 8' 2X4' (92" C.C.)  
 12' 3X4' (136" C.C.)  
 12' 2X4'+2X3' (156" C.C.)

**T8 2 LAMP** 8' 3X3' (52" C.C.)  
 12' 3X4' (100" C.C.)  
 12' 2X4'+2X3' (148" C.C.)

## CT TILE CEILING - ON GRID

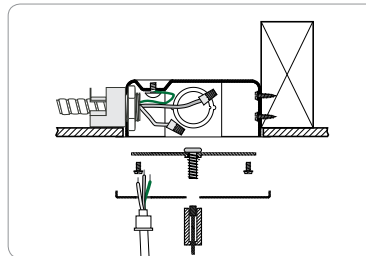


Power feed

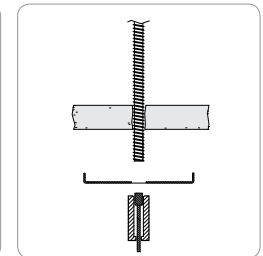


Non power feed

## CA DRYWALL CEILING

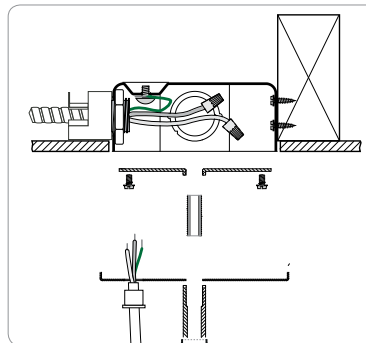


Power feed

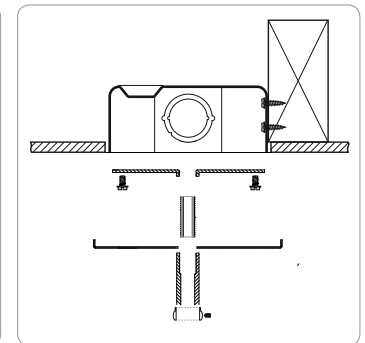


Non power feed

## SA STEM MOUNT IN DRYWALL CEILING



Power feed



Non power feed

**i** Row configuration and mounting spacing file is available for download at: [www.axislighting.com](http://www.axislighting.com)

BEAM 2 is also available with recessed, surface, wall, recessed wall and asymmetric mounted options.

**i** Specification sheets and Installation sheets for all mounting for BEAM luminaires are available for download at [www.axislighting.com](http://www.axislighting.com)



## ● INTEGRATED CONTROL OPTIONS

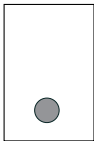
BEAM 2 luminaires allow the use of integrated controls such as daylight sensors (DS), occupancy sensors (OS), individual daylight sensors and occupancy sensors (DS+OS), and combination daylight/occupancy sensors (DOS). These options can be seamlessly integrated into our luminaires. The control system could be used to optimize the lighting of the space by reducing energy consumption through daylight harvesting and occupancy, thereby improving the overall interior environment and allowing for LEED credits.

- Consult factory for other options.
- Refer to IC guide for more information.

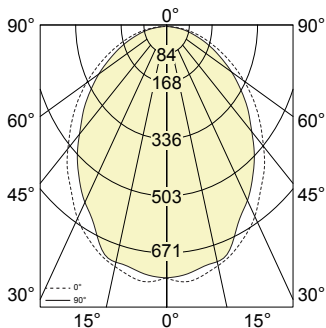
SENSORS	BRAND	Model	TYPE	CODE	COMPATIBLE DIMMING BALLAST
Daylight Sensor (DS)	Lutron	EC-DIR-WH	Daylight	LD	EcoSystem
	Wattstopper	FD-301	Daylight	WD	0-10V
	Philips	Luxsense	Daylight	PL	0-10V
Occupancy Sensor (OS)	Wattstopper	FS-205	PIR Occupancy	WP1	Programmed Rapid Start
		FS-355	PIR Occupancy	WP2	Programmed Rapid Start
		FM-105	High Frequency Occupancy	WH	Programmed Rapid Start
Daylight & Occupancy Sensors (DOS)	Philips	Actilume	Daylight & PIR Occupancy	PA	DALI or 0-10V

## ● PHOTOMETRIC DATA

### I T5



### PHOTOMETRIC CURVE



**Test Lamp: IxF28T5**  
 IES FILE: BD-F-4-T5-1

**Efficiency: 55.7%**

### CANDELA DISTRIBUTION

Vertical Angle	Horizontal Angles					Zonal Lumens
	0	22.5	45	67.5	90	
0	1317	1317	1317	1317	1317	
5	1259	1275	1260	1282	1285	69
15	1184	1204	1164	1161	1162	285
25	1044	1036	1011	986	977	443
35	871	842	813	783	767	507
45	672	648	615	591	574	491
55	473	459	440	409	403	417
65	311	302	280	262	255	310
75	172	164	149	138	134	189
85	58	49	38	31	29	73
90	10	7	2	1	1	

### LUMINANCE DATA (CD/M<sup>2</sup>)

Vertical Angle	Horizontal Angles		
	0	45	90
45	7363	3305	2651
55	6363	2373	1811
65	5285	1547	1141
75	4328	882	617
85	2808	257	150

### COEFFICIENTS OF UTILIZATION (%)

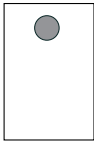
Ceiling	80			70			50				
	70	50	30	10	70	50	30	10	50	30	10
Wall	70	50	30	10	70	50	30	10	50	30	10
0	67	67	67	67	65	65	65	65	62	62	62
1	61	59	56	54	60	57	55	54	55	53	52
2	56	52	48	45	55	51	47	45	49	46	44
3	51	46	42	38	50	45	41	38	43	40	37
4	47	41	36	33	46	40	36	33	39	35	32
5	44	37	32	29	43	36	32	28	35	31	28
6	41	33	29	25	40	33	28	25	32	28	25
7	38	31	26	23	37	30	26	22	29	25	22
8	35	28	23	20	34	28	23	20	27	23	20
9	33	26	21	18	32	25	21	18	25	21	18
10	31	24	20	17	30	24	20	17	23	19	17

Based on floor reflectance of 20

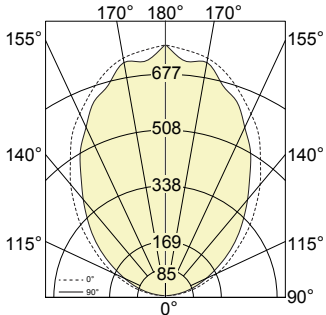
**i** All IES files for other lamping are available for download at: [www.axislighting.com](http://www.axislighting.com)

● PHOTOMETRIC DATA

I T5



PHOTOMETRIC CURVE



Test Lamp: 1xF28T5

IES FILE: BI-F-4-T5-1

Efficiency: 55.7%

CANDELA DISTRIBUTION

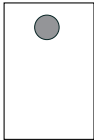
Vertical Angle	Horizontal Angles					Zonal Lumens
	0	22.5	45	67.5	90	
90	7	4	1	1	1	
95	32	27	22	19	17	13
105	100	94	88	80	78	76
115	183	175	162	153	146	145
125	276	267	253	241	237	213
135	387	377	356	338	333	266
145	500	493	471	451	444	295
155	610	602	588	572	565	282
165	701	691	683	678	662	217
175	748	749	743	731	714	104
180	761	761	761	761	761	

COEFFICIENTS OF UTILIZATION (%)

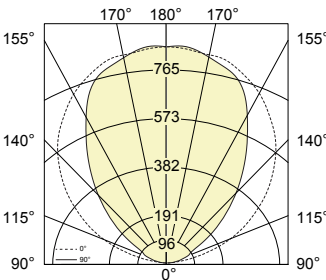
Ceiling	80			70			50				
	70	50	30	10	70	50	30	10	50	30	10
Wall	70	50	30	10	70	50	30	10	50	30	10
0	53	53	53	53	45	45	45	45	31	31	31
1	48	46	44	42	41	39	38	36	27	26	25
2	44	40	37	35	37	34	32	30	24	22	21
3	40	35	32	29	34	30	27	25	21	19	17
4	37	31	27	24	31	27	23	21	18	16	15
5	33	27	23	20	28	24	20	18	16	14	12
6	31	24	20	17	26	21	18	15	14	12	11
7	28	22	18	15	24	19	15	13	13	11	9
8	26	20	16	13	22	17	14	11	12	10	8
9	24	18	14	11	20	15	12	10	11	8	7
10	22	16	12	10	19	14	11	9	10	8	6

Based on floor reflectance of 20

I T5



PHOTOMETRIC CURVE



Test Lamp: 1xF28T5

IES FILE: BI-NO-4-T5-1

Efficiency: 69.9%

CANDELA DISTRIBUTION

Vertical Angle	Horizontal Angles					Zonal Lumens
	0	22.5	45	67.5	90	
90	3	3	2	1	1	
95	26	22	21	19	19	12
105	167	105	69	67	63	75
115	330	256	162	116	106	163
125	474	419	308	248	229	271
135	602	573	468	398	378	359
145	701	689	641	565	543	394
155	780	770	753	730	722	365
165	831	817	815	814	806	264
175	842	860	834	854	851	119
180	847	847	847	847	847	

COEFFICIENTS OF UTILIZATION (%)

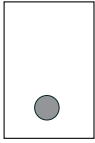
Ceiling	80			70			50				
	70	50	30	10	70	50	30	10	50	30	10
Wall	70	50	30	10	70	50	30	10	50	30	10
0	67	67	67	67	57	57	57	57	39	39	39
1	61	58	55	53	52	49	47	46	34	33	32
2	55	50	47	43	47	43	40	37	30	28	26
3	50	44	40	36	43	38	34	31	26	24	22
4	46	39	34	30	39	33	29	26	23	20	18
5	42	34	29	25	36	30	25	22	20	18	16
6	38	31	25	22	33	26	22	19	18	15	13
7	35	27	22	19	30	24	19	16	16	14	12
8	33	25	20	16	28	21	17	14	15	12	10
9	30	22	17	14	26	19	15	12	13	11	9
10	28	20	16	12	24	17	13	11	12	9	8

Based on floor reflectance of 20

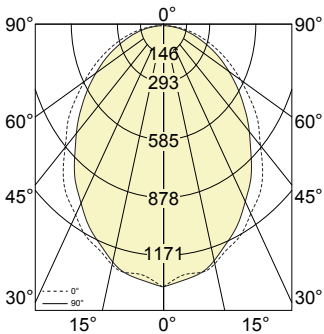
**i** All IES files for other lamping are available for download at: [www.axislighting.com](http://www.axislighting.com)

● PHOTOMETRIC DATA

**I T5HO**



**PHOTOMETRIC CURVE**



**Test Lamp: 1xF54T5HO**  
 IES FILE: BD-F-4-T5HO-1

**Efficiency: 55.7%**

**CANDELA DISTRIBUTION**

Vertical Angle	Horizontal Angles					Zonal Lumens
	0	22.5	45	67.5	90	
0	1317	1317	1317	1317	1317	
5	1259	1275	1260	1282	1285	69
15	1184	1204	1164	1161	1162	285
25	1044	1036	1011	986	977	443
35	871	842	813	783	767	507
45	672	648	615	591	574	491
55	473	459	440	409	403	417
65	311	302	280	262	255	310
75	172	164	149	138	134	189
85	58	49	38	31	29	73
90	10	7	2	1	1	

**COEFFICIENTS OF UTILIZATION (%)**

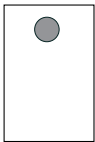
Ceiling	80			70			50				
	70	50	30	10	70	50	30	10	50	30	10
Wall	70	50	30	10	70	50	30	10	50	30	10
0	66	66	66	66	65	65	65	65	62	62	62
1	61	59	56	54	60	57	55	53	55	53	52
2	56	52	48	45	54	51	47	44	49	46	43
3	51	46	41	38	50	45	41	38	43	40	37
4	47	41	36	33	46	40	36	32	39	35	32
5	44	37	32	28	42	36	32	28	35	31	28
6	40	33	29	25	39	33	28	25	32	28	25
7	38	30	26	22	37	30	26	22	29	25	22
8	35	28	23	20	34	28	23	20	27	23	20
9	33	26	21	18	32	25	21	18	25	21	18
10	31	24	20	17	30	24	19	17	23	19	17

Based on floor reflectance of 20

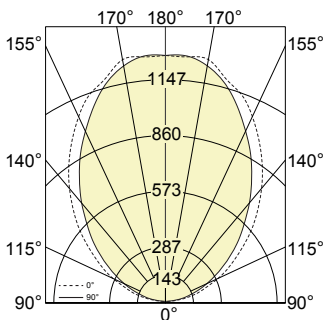
**LUMINANCE DATA (CD/M<sup>2</sup>)**

Vertical Angle	Horizontal Angles		
	0	45	90
45	12718	5726	4494
55	10724	4095	3074
65	9109	2687	1957
75	7431	1529	1066
85	5100	433	251

**I T5HO**



**PHOTOMETRIC CURVE**



**Test Lamp: 1xF54T5HO**  
 IES FILE: BI-F-4-T5HO-1

**Efficiency: 55.6%**

**CANDELA DISTRIBUTION**

Vertical Angle	Horizontal Angles					Zonal Lumens
	0	22.5	45	67.5	90	
90	10	6	2	1	1	
95	54	50	38	32	31	23
105	174	163	150	138	131	131
115	317	299	283	260	253	249
125	481	458	433	415	403	365
135	671	650	610	583	574	461
145	865	855	807	781	771	508
155	1053	1030	1010	987	970	484
165	1188	1185	1184	1168	1165	374
175	1262	1290	1280	1266	1267	179
180	1265	1265	1265	1265	1265	

**COEFFICIENTS OF UTILIZATION (%)**

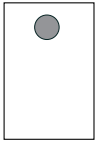
Ceiling	80			70			50				
	70	50	30	10	70	50	30	10	50	30	10
Wall	70	50	30	10	70	50	30	10	50	30	10
0	53	53	53	53	45	45	45	45	31	31	31
1	48	46	44	42	41	39	38	36	27	26	25
2	44	40	37	34	37	34	32	30	24	22	21
3	40	35	32	29	34	30	27	25	21	19	17
4	36	31	27	24	31	27	23	21	18	16	15
5	33	27	23	20	28	24	20	18	16	14	12
6	31	24	20	17	26	21	18	15	14	12	11
7	28	22	18	15	24	19	15	13	13	11	9
8	26	20	16	13	22	17	14	11	12	10	8
9	24	18	14	11	20	15	12	10	11	8	7
10	22	16	12	10	19	14	11	9	10	8	6

Based on floor reflectance of 20

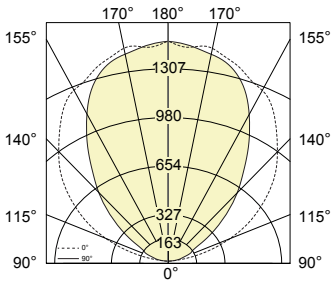
**i** All IES files for other lamping are available for download at: [www.axislighting.com](http://www.axislighting.com)

## PHOTOMETRIC DATA

### I T5HO



### PHOTOMETRIC CURVE



**Test Lamp: IxF54T5HO**

IES FILE: BI-NO-4-T5HO-1

**Efficiency: 69.8 %**

### CANDELA DISTRIBUTION

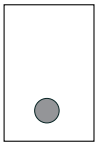
Vertical Angle	Horizontal Angles					Zonal Lumens
	0	22.5	45	67.5	90	
90	5	5	3	2	2	
95	44	38	37	33	32	21
105	291	179	123	109	107	129
115	577	444	279	201	185	282
125	824	723	536	428	394	470
135	1028	990	815	689	651	619
145	1219	1185	1094	970	930	678
155	1322	1332	1296	1251	1226	627
165	1418	1402	1404	1393	1389	453
175	1432	1471	1435	1436	1448	206
180	1466	1466	1466	1466	1466	

### COEFFICIENTS OF UTILIZATION (%)

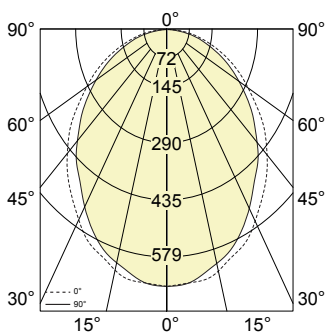
Ceiling	80			70			50				
	70	50	30	10	70	50	30	10	50	30	10
Wall	70	50	30	10	70	50	30	10	50	30	10
0	67	67	67	67	57	57	57	57	39	39	39
1	61	58	55	53	52	49	47	46	34	33	32
2	55	50	47	43	47	43	40	37	30	28	26
3	50	44	40	36	43	38	34	31	26	24	22
4	46	39	34	30	39	33	29	26	23	20	18
5	42	34	29	25	36	30	25	22	20	18	16
6	38	31	25	22	33	26	22	19	18	15	13
7	35	27	22	19	30	24	19	16	16	14	12
8	32	25	20	16	28	21	17	14	15	12	10
9	30	22	17	14	26	19	15	12	13	11	9
10	28	20	16	12	24	17	13	11	12	9	8

Based on floor reflectance of 20

### I T8



### PHOTOMETRIC CURVE



**Test Lamp: IxF32T8**

IES FILE: BD-F-4-T8-1

**Efficiency: 49.6%**

### CANDELA DISTRIBUTION

Vertical Angle	Horizontal Angles					Zonal Lumens
	0	22.5	45	67.5	90	
0	652	652	652	652	652	
5	645	643	649	639	645	35
15	604	594	591	595	588	143
25	530	526	513	499	494	223
35	439	426	413	406	400	259
45	344	331	317	308	304	254
55	244	240	230	221	216	218
65	163	156	150	142	139	164
75	89	85	80	76	75	101
85	30	26	21	18	16	39
90	6	4	1	1	1	

### COEFFICIENTS OF UTILIZATION (%)

Ceiling	80			70			50				
	70	50	30	10	70	50	30	10	50	30	10
Wall	70	50	30	10	70	50	30	10	50	30	10
0	59	59	59	59	58	58	58	58	55	55	55
1	54	52	50	48	53	51	49	47	49	47	46
2	50	46	43	40	48	45	42	39	43	41	38
3	46	41	37	34	44	40	36	33	38	35	33
4	42	36	32	29	41	36	32	29	34	31	28
5	39	33	28	25	38	32	28	25	31	27	25
6	36	30	25	22	35	29	25	22	28	25	22
7	33	27	23	20	33	27	23	20	26	22	20
8	31	25	21	18	30	24	20	18	24	20	18
9	29	23	19	16	29	22	19	16	22	18	16
10	27	21	17	15	27	21	17	15	20	17	15

Based on floor reflectance of 20

### LUMINANCE DATA (CD/M<sup>2</sup>)

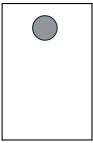
Vertical Angle	Horizontal Angles		
	0	45	90
45	6304	2855	2301
55	5352	2072	1589
65	4632	1389	1031
75	3768	789	580
85	2576	230	135

**i** All IES files for other lamping are available for download at: [www.axislighting.com](http://www.axislighting.com)

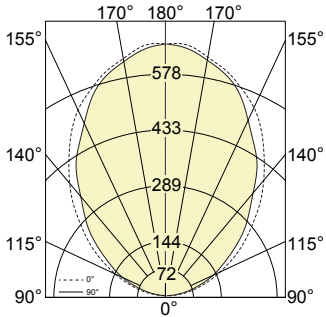


● PHOTOMETRIC DATA

I T8



PHOTOMETRIC CURVE



Test Lamp: IxF32T8  
 IES FILE: BI-F-4-T8-1

Efficiency: 49.6%

CANDELA DISTRIBUTION

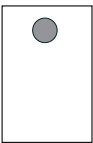
Vertical Angle	Horizontal Angles					Zonal Lumens
	0	22.5	45	67.5	90	
0	6	3	1	1	1	
5	30	26	22	18	18	13
15	88	87	79	76	72	70
25	160	157	149	142	139	132
35	247	240	228	221	214	193
45	342	335	318	309	301	239
55	439	426	418	406	407	261
65	535	519	509	507	499	247
75	600	601	593	582	591	189
85	649	637	637	634	640	90
90	650	650	650	650	650	

COEFFICIENTS OF UTILIZATION (%)

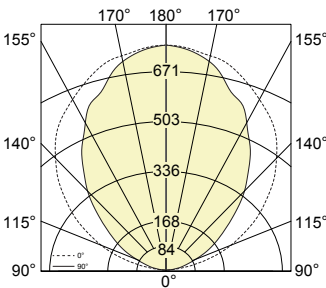
Ceiling	80			70			50				
	70	50	30	10	70	50	30	10	50	30	10
Wall	70	50	30	10	70	50	30	10	50	30	10
0	47	47	47	47	40	40	40	40	28	28	28
1	43	41	39	38	37	35	34	32	24	23	22
2	39	36	33	31	33	31	28	27	21	20	19
3	36	31	28	25	30	27	24	22	18	17	15
4	33	28	24	21	28	24	21	19	16	15	13
5	30	24	21	18	25	21	18	16	14	13	11
6	27	22	18	15	23	19	16	13	13	11	10
7	25	19	16	13	21	17	14	12	12	10	8
8	23	17	14	12	20	15	12	10	10	8	7
9	21	16	12	10	18	14	11	9	9	8	6
10	20	14	11	9	17	12	10	8	9	7	5

Based on floor reflectance of 20

I T8



PHOTOMETRIC CURVE



Test Lamp: IxF32T8  
 IES FILE: BI-NO-4-T8-1

Efficiency: 63.1%

CANDELA DISTRIBUTION

Vertical Angle	Horizontal Angles					Zonal Lumens
	0	22.5	45	67.5	90	
90	4	4	2	1	1	
95	30	25	22	19	19	13
105	150	109	84	71	68	78
115	283	227	176	156	150	169
125	409	359	296	254	243	257
135	522	483	418	380	369	323
145	614	587	537	501	491	344
155	675	662	636	618	608	311
165	728	717	702	690	689	226
175	750	747	731	726	745	104
180	755	755	755	755	755	

COEFFICIENTS OF UTILIZATION (%)

Ceiling	80			70			50				
	70	50	30	10	70	50	30	10	50	30	10
Wall	70	50	30	10	70	50	30	10	50	30	10
0	60	60	60	60	52	52	52	52	35	35	35
1	55	52	50	48	47	45	43	41	31	30	29
2	50	46	42	39	42	39	36	34	27	25	24
3	45	40	36	32	39	34	31	28	24	21	20
4	41	35	31	27	35	30	26	24	21	18	17
5	38	31	26	23	32	27	23	20	18	16	14
6	35	28	23	20	29	24	20	17	16	14	12
7	32	25	20	17	27	21	17	15	15	12	10
8	29	22	18	15	25	19	15	13	13	11	9
9	27	20	16	13	23	17	14	11	12	10	8
10	25	18	14	11	21	16	12	10	11	9	7

Based on floor reflectance of 20

**i** All IES files for other lamping are available for download at: [www.axislighting.com](http://www.axislighting.com)