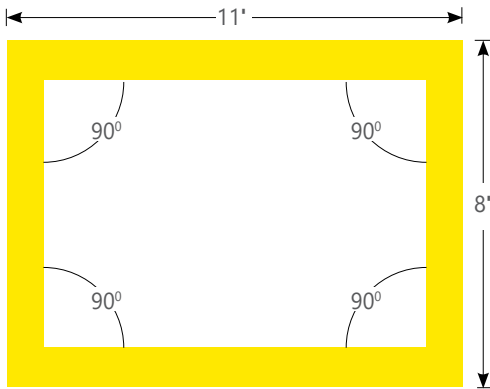


Project _____

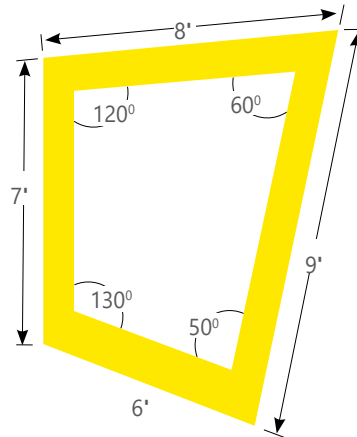
Type _____

Notes _____



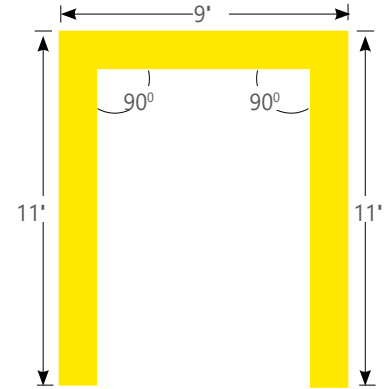
BMSLEDPAT	REC	90+90+90+90	38'
PRODUCT ID	PATTERNS	CORNER DEGREES	LENGTH/FT

TOP VIEW - Rectangle Corner Pattern



BSLEDPAT	ASO	120+60+50+130	30'
PRODUCT ID	PATTERNS	CORNER DEGREES	LENGTH/FT

TOP VIEW - Corner Pattern



BBSLEDPAT	OPR	90+90	31'
PRODUCT ID	PATTERNS	CORNER DEGREES	LENGTH/FT

TOP VIEW - Open Shape Corner Pattern

IMPORTANT – all corner patterns must be submitted with drawings indicating dimensions and angles degree.

PRODUCT ID	PATTERNS	CORNER DEGREES	LUMENS/FT	CRI
BSLEDPAT beam2led surface	SQ square regular lit corners	90 90 degrees	400 400 lm/ft - Minimum	80 80 CRI
BMSLEDPAT beam3led surface	REC rectangle regular lit corners	# other degree	1000 1000 lm/ft - Maximum	90 90 CRI
BBSLEDPAT beam4led surface	ASO other shape regular lit corners			
B6SLEDPAT beam6led surface	OPR open shape regular lit corners			
Outputs between listed min and max are available. Consult factory for outputs outside of the listed range.				

COLOUR TEMP.	SHIELDING	LENGTH/FT	SPECIFY LENGTH	FINISH	VOLTAGE	DRIVER
27 2700 K	SO spotless lens	# total pattern length	NL nominal EX exact	AP aluminum paint W white BLK black C custom	120 120V	DP dimming (0-10V) 1% LT Lutron ⁽¹⁾ BI bi-level dimming O other ⁽²⁾
35 3500 K					277 277V	
30 3000 K					347 347V	
40 4000 K					UNV universal	
(1) Specify system (2) Please consult factory; see page 2						

CIRCUITS	MOUNTING	BATTERY	OTHER	IC CONTROLS (OPTIONAL)	CUSTOM (OPTIONAL)
1 1 circuit 2 2 circuits +E(#) emergency circuit ⁽³⁾ +NL(#) night light circuit ⁽³⁾ +GTD(#) generator transfer device ⁽³⁾	S surface drywall ceiling SB surface t-bar ceiling SC surface solid ceiling	B# battery pack 4' sections	F fuse ⁽⁴⁾ EF end feed FW(#) flex whip (6' std) CP Chicago plenum	DS# daylight sensor OS# occupancy sensor DOS# daylight & occupancy sensor EN# Enlited integral ⁽⁵⁾ ENR# Enlited remote ⁽⁵⁾ WC# wireless control dimming	C custom
(3) Specify quantity		Requires 120V or 277V Please consult factory	(4) Requires 120V or 277V	(5) Please consult factory See integrated controls guide for more details.	Please specify

● LIT CORNER FEATURES

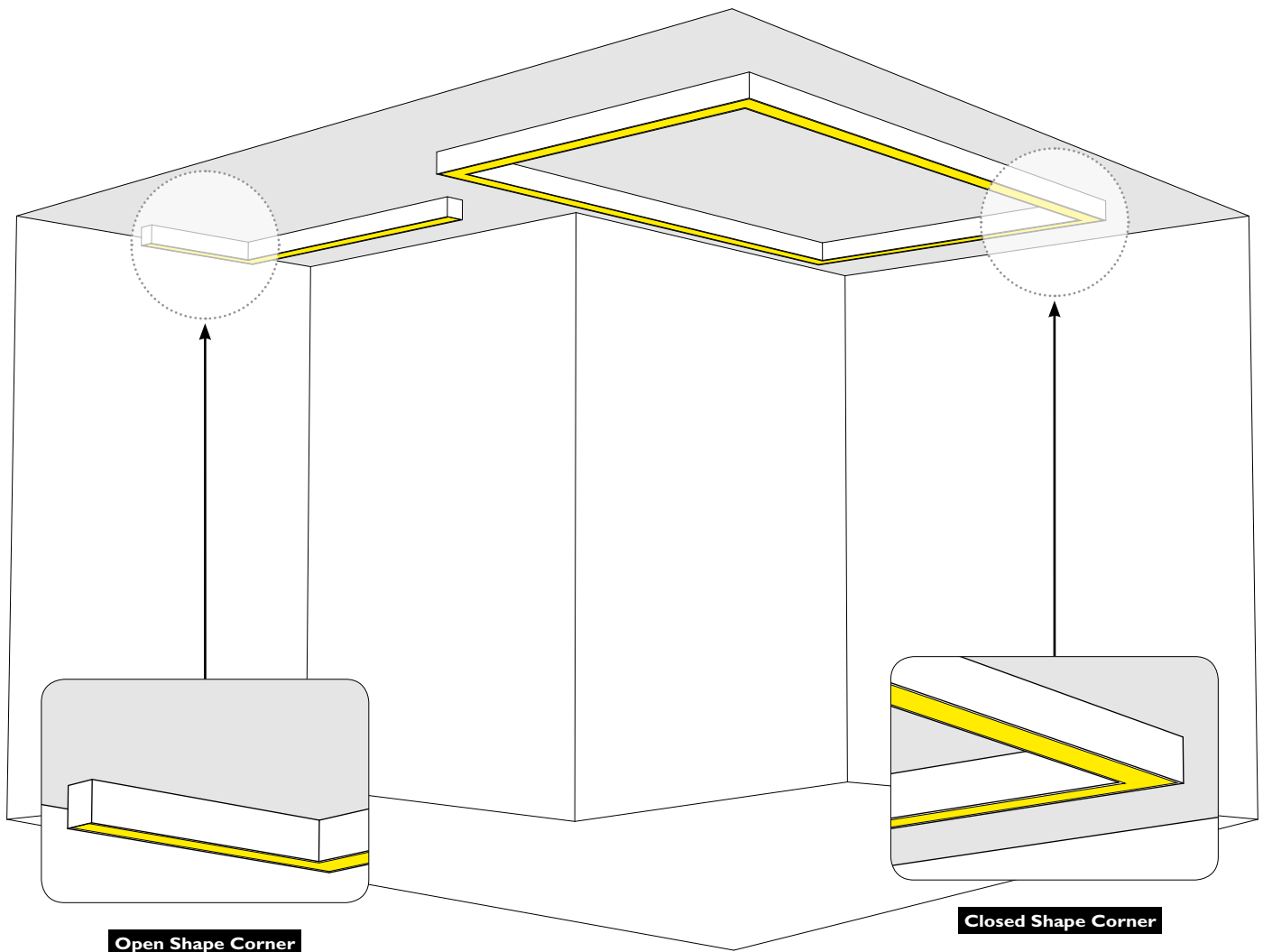
The Lit Corner system allows continuous illumination all the way through the corner section

To optimize corner illumination, lit corners are created as integral components of the linear sections. Linear sections have mitered ends that connect to corresponding mitered ends of neighboring linear sections.

Illuminated Corners are more complex. Because the corner is fully illuminated, the corner is not independent of the straight sections, but integrated into the straight segment's housing. The corner is mitered, allowing a seamless line of light.

Regular Illuminated Corner - This is a fully illuminated corner that lies on the same plane, for example, the ceiling. There are two corner options available for Regular Lit Corners: **Open Shape Corner** and **Closed Shape Corner**

TIP: Provide sketches illustrating corner types and locations required.



IMPORTANT – all corner patterns must be submitted with drawings indicating dimensions and angles degree.

