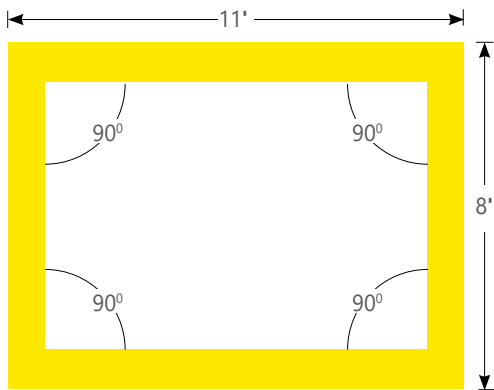


Project _____

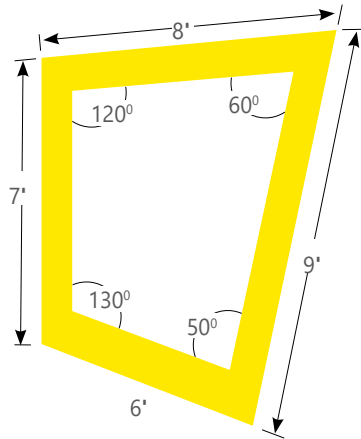
Type _____

Notes _____



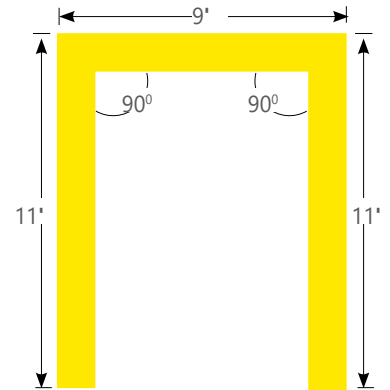
BMRLEDPAT	REC	90+90+90+90	38'
PRODUCT ID	PATTERNS	CORNER DEGREES	LENGTH/FT

TOP VIEW - Rectangle Corner Pattern



BRLEDPAT	ASO	120+60+50+130	30'
PRODUCT ID	PATTERNS	CORNER DEGREES	LENGTH/FT

TOP VIEW - Corner Pattern



BBRLEDPAT	OPR	90+90	31'
PRODUCT ID	PATTERNS	CORNER DEGREES	LENGTH/FT

TOP VIEW - Open Shape Corner Pattern

IMPORTANT – all corner patterns must be submitted with drawings indicating dimensions and angles degree.

Ordering Guide

PRODUCT ID	PATTERNS	CORNER DEGREES	LUMENS/FT	CRI
BRLEDPAT beam2led recessed ⁽¹⁾	SQ square regular lit corners	90 90 degrees	400 400 lm/ft - Minimum	80 80 CRI
BMRLEDPAT beam3led recessed	REC rectangle regular lit corners	# other degree	1000 1000 lm/ft - Maximum	90 90 CRI
BBRLEDPAT beam4led recessed	ASO other shape regular lit corners			
B6RLEDPAT beam6led recessed	OPR open shape regular lit corners			

(1) Flush only.

Outputs between listed min and max are available. Consult factory for outputs outside of the listed range.

COLOUR TEMP.	SHIELDING	SHIELDING POSITION	LENGTH/FT	SPECIFY LENGTH	FINISH	VOLTAGE	DRIVER
27 2700 K	SO spotless lens	FL flush	# total pattern length	NL nominal	W white	120 120V	DP dimming (0-10V) 1%
35 3500 K		RG regressed		EX exact	C custom	277 277V	LT Lutron ⁽²⁾
30 3000 K						347 347V	BI bi-level dimming
40 4000 K						UNV universal	O other ⁽³⁾

(2) Specify system
(3) Please consult factory; see page 2

CIRCUITS	MOUNTING	BATTERY	OTHER	IC CONTROLS (OPTIONAL)	CUSTOM (OPTIONAL)
1 1 circuit	TB9 t-bar 9/16"	B# battery pack 4' sections	F fuse ⁽⁵⁾	DS# daylight sensor	C custom
2 2 circuits	TB15 t-bar 15/16"		EF end feed	OS# occupancy sensor	
+E(#) emergency circuit ⁽⁴⁾	ST screw slot t-bar		FW(#) flex whip (6' std)	DOS# daylight & occupancy sensor	
+NL(#) night light circuit ⁽⁴⁾	TG9 tegular 9/16"		CP Chicago plenum	EN# Enlighted integral ⁽⁶⁾	
+GTD(#) generator transfer device ⁽⁴⁾	TG15 tegular 15/16"			ENR# Enlighted remote ⁽⁶⁾	
	DF drywall flange			WC# wireless control dimming	
	D drywall flangeless				
	DB slip-through bracket				
	DS drywall spackle flange				

(4) Specify quantity

Requires 120V or 277V
Please consult factory

(5) Requires 120V or 277V

(6) Please consult factory
See integrated controls guide for more details.

Please specify

● LIT CORNER FEATURES

The Lit Corner system allows continuous illumination all the way through the corner section

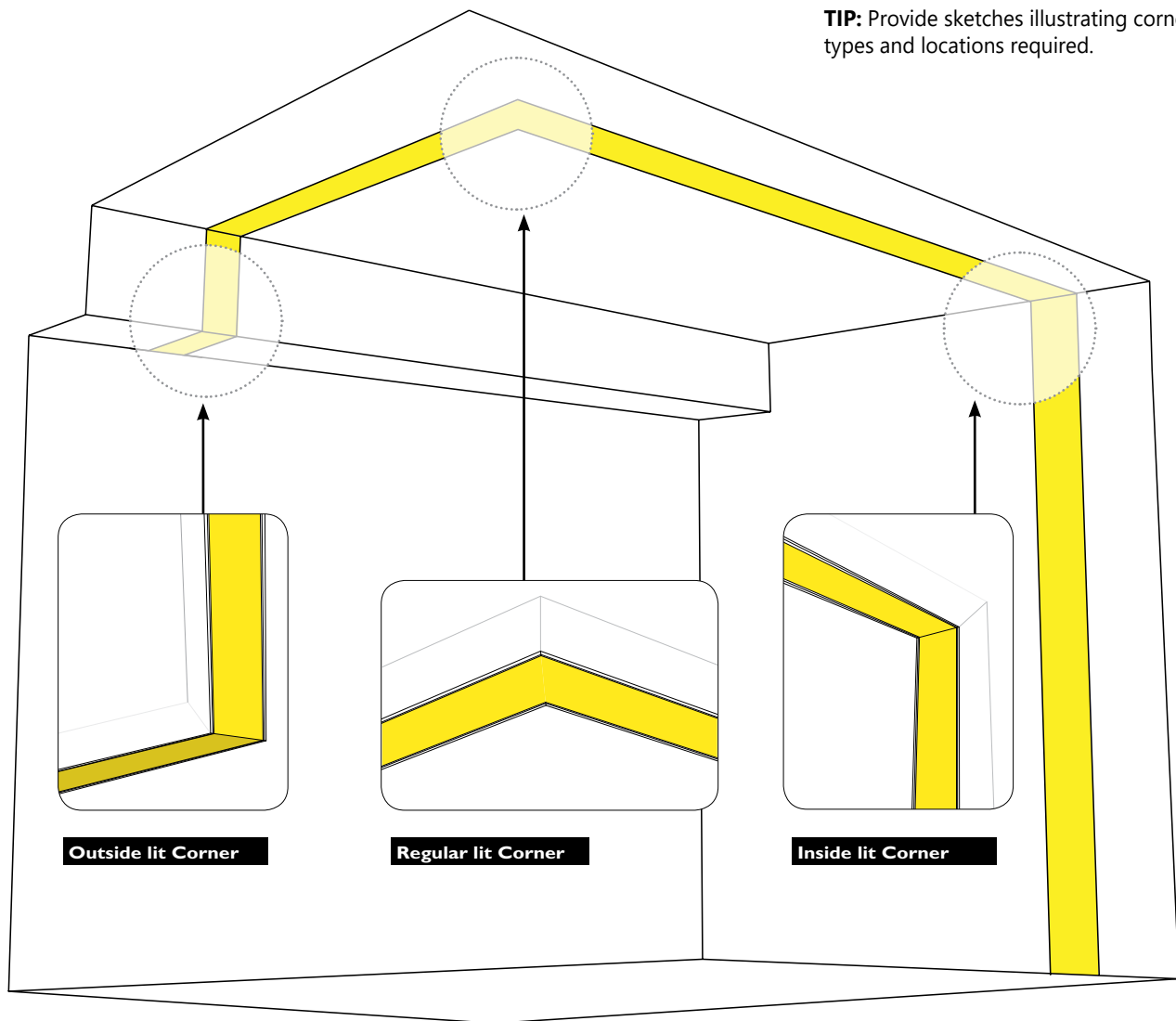
To optimize corner illumination, lit corners are created as integral components of the linear sections. Linear sections have mitered ends that connect to corresponding mitered ends of neighboring linear sections.

Illuminated Corners are more complex. Because the corner is fully illuminated, the corner is not independent of the straight sections, but integrated into the straight segment's housing. The corner is mitered, allowing a seamless line of light.

There are three types of illuminated corner available:

1. **Regular Illuminated Corner** - This is a fully illuminated 90 degree corner that lies in the same plane, for example, the ceiling or wall.
2. **Inside Illuminated Corner.** This corner runs up the wall, then across the ceiling. (Please use the "Inside & Outside lit corner patterns spec sheet" to specify and Inside lit corner).
3. **Outside Illuminated Corner** - This corner would run across a ceiling then up a bulkhead. (Please use the "Inside & Outside lit corner patterns spec sheet" to specify and Outside lit corner).

TIP: Provide sketches illustrating corner types and locations required.



IMPORTANT – all corner patterns must be submitted with drawings indicating dimensions and angles degree.

