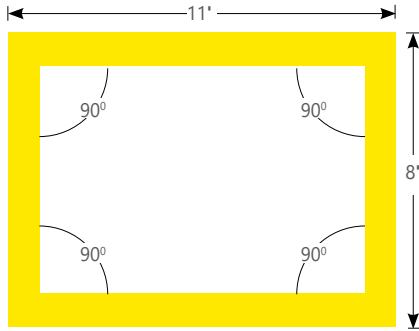


Project _____

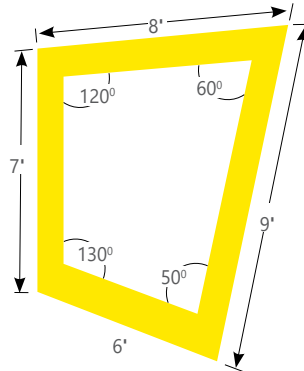
Type _____

Notes _____



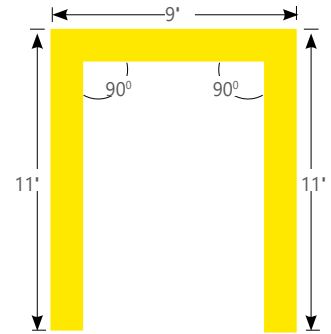
BMDLEDPAT	REC	90+90+90+90	38'
PRODUCT ID	PATTERNS	CORNER DEGREES	LENGTH/FT

TOP VIEW - Rectangle Corner Pattern



BDLEDPAT	ASO	120+60+50+130	30'
PRODUCT ID	PATTERNS	CORNER DEGREES	LENGTH/FT

TOP VIEW - Corner Pattern



BBDLEDPAT	OPR	90+90	31'
PRODUCT ID	PATTERNS	CORNER DEGREES	LENGTH/FT

TOP VIEW - Open Shape Corner Pattern

IMPORTANT – all corner patterns must be submitted with drawings indicating dimensions and angles degree.

Ordering Guide

PRODUCT ID	PATTERNS	CORNER DEGREES	LUMENS/FT INDIRECT	LUMENS/FT DIRECT	CRI
BDLEDPAT Beam 2 LED Pendant Direct	SQ square regular lit corners	90 90 degrees	300 300 lm/ft	400 400 lm/ft - Minimum	80 80 CRI
BILEDPAT Beam 2 LED Pendant Indirect	REC rectangle regular lit corners	# other degree	650 650 lm/ft	1000 1000 lm/ft - Maximum	90 90 CRI
TB2DILEDPAT Twin Beam 2 SL Direct/Indirect	ASO other shape regular lit corners		N/A not applicable*	N/A not applicable*	
TB2DLEDPAT Twin Beam 2 SL Direct	OPR open shape regular lit corners				
TB3DILEDPAT Twin Beam 3 SL Direct/Indirect					
TB3DLEDPAT Twin Beam 3 SL Direct					
TB4DILEDPAT Twin Beam 4 SL Direct/Indirect					
TB4DLEDPAT Twin Beam 4 SL Direct					
BMDLEDPAT Beam 3 LED Pendant Direct					
BMALEDPAT Beam 3 LED Pendant Indirect					
BBDILEDPAT Beam 4 LED Pendant Direct/Indirect					
BBDLEDPAT Beam 4 LED Pendant Direct					
BBILEDPAT Beam 4 LED Pendant Indirect					
B6DLEDPAT Beam 6 LED Pendant Direct					
B6DILEDPAT Beam 6 LED Pendant Direct/Indirect					
			Outputs between listed min and max are available. Consult factory for outputs outside of the listed range. *For direct only.	Outputs between listed min and max are available. Consult factory for outputs outside of the listed range. *For indirect only.	

COLOUR TEMP.	SHIELDING	LENGTH/FT	SPECIFY LENGTH	FINISH	VOLTAGE	DRIVER
27 2700 K	SO spotless lens	# total pattern length	NL nominal	AP aluminum paint	120 120V	DP dimming (0-10V) 1%
35 3500 K			EX exact	W white	277 277V	LT Lutron ⁽¹⁾
30 3000 K				BLK black	347 347V	BI bi-level dimming
40 4000 K				C custom	UNV universal	O other ⁽²⁾
						(1) Specify system (2) Please consult factory; see page 2

CIRCUITS	MOUNTING/SUSPENSION	BATTERY	OTHER	IC CONTROLS (OPTIONAL)	CUSTOM (OPTIONAL)
1 1 circuit	CA(#) drywall+cable length (36"std)	B# battery pack	F fuse ⁽⁴⁾	DS# daylight sensor	C custom
2 2 circuits	CT9(#) TB/TG 9/16+cable length (36" std.)	4' sections	D dust cover	OS# occupancy sensor	
+E(#) emergency circuit ⁽³⁾	CT15(#) TB/TG15/16+cable length (36" std.)			DOS# daylight & occupancy sensor	
+NL(#) night light circuit ⁽³⁾	CTS(#) ST+cable length (36" std.)			EN# Enlighted integral ⁽⁵⁾	
+GTD(#) generator transfer device ⁽³⁾	SA(#) drywall+stem length>48 (18"std)			ENR# Enlighted remote ⁽⁵⁾	
				WC# wireless control dimming	
(3) Specify quantity	Specify quantity	Requires 120V or 277V Please consult factory	(4) Requires 120V or 277V	(5) Please consult factory See integrated controls guide for more details.	Please specify

● LIT CORNER FEATURES

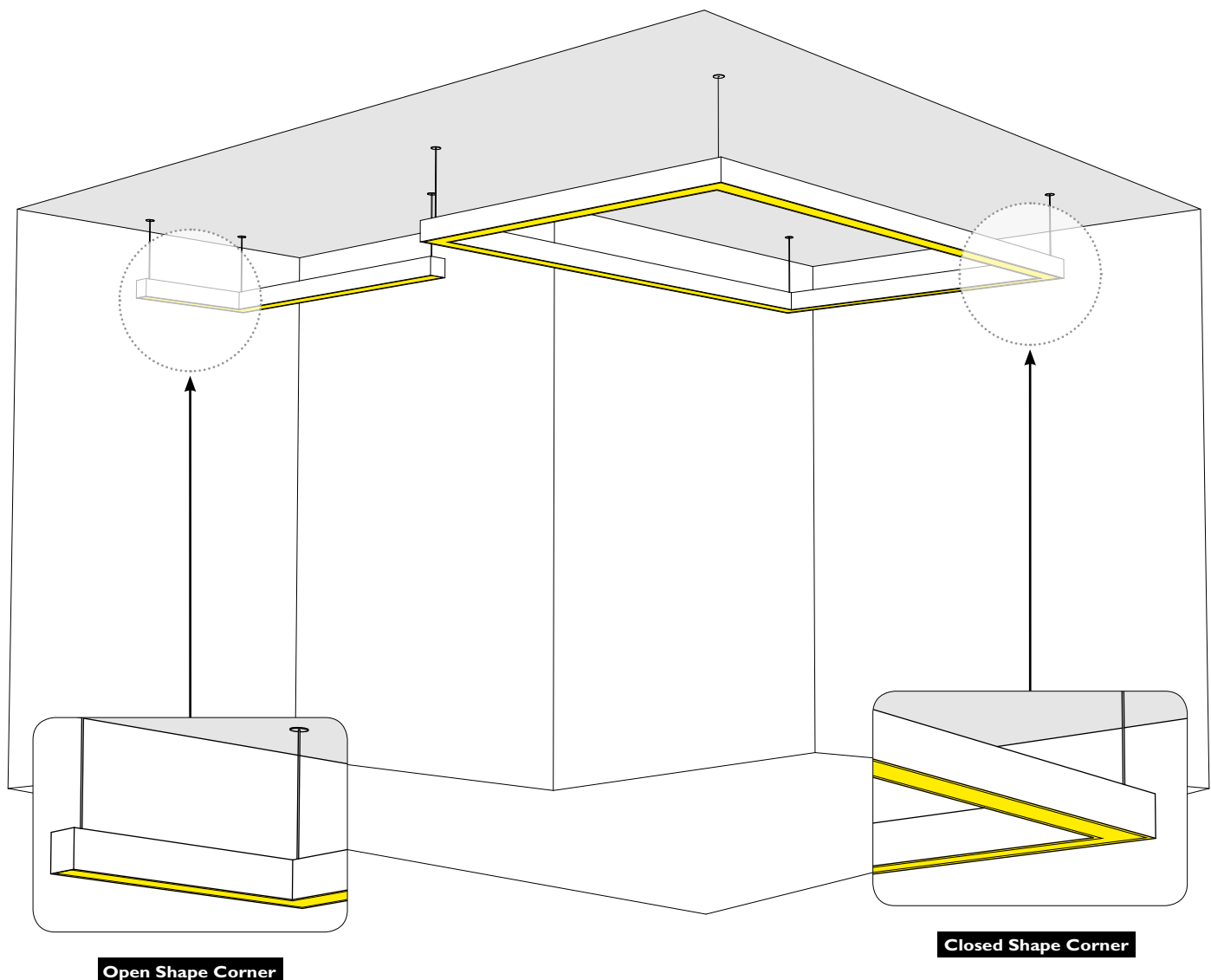
The Lit Corner system allows continuous illumination all the way through the corner section

To optimize corner illumination, lit corners are created as integral components of the linear sections. Linear sections have mitered ends that connect to corresponding mitered ends of neighboring linear sections.

Illuminated Corners are more complex. Because the corner is fully illuminated, the corner is not independent of the straight sections, but integrated into the straight segment's housing. The corner is mitered, allowing a seamless line of light.

Regular Illuminated Corner - A fully illuminated corner that lies on the same plane, for example, the ceiling. There are two corner options available for Regular Lit Corners: **Open Shape Corner** and **Closed Shape Corner**

TIP: Provide sketches illustrating corner types and locations required.



IMPORTANT – all corner patterns must be submitted with drawings indicating dimensions and angles degree.

