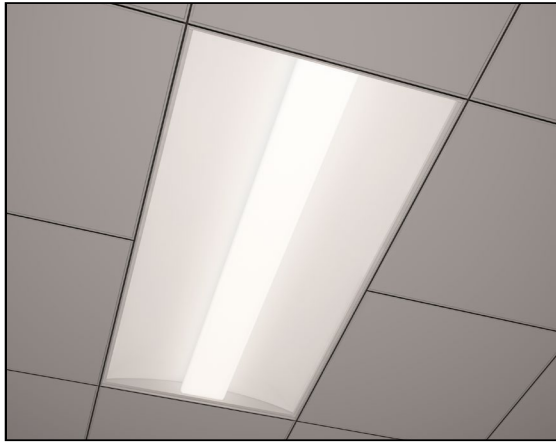


AURA 2x4

RECESSED T-Bar & Drywall



Project _____

Type _____

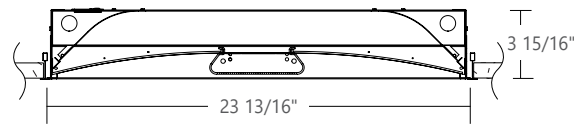
Notes _____

PERFORMANCE AT 3500K

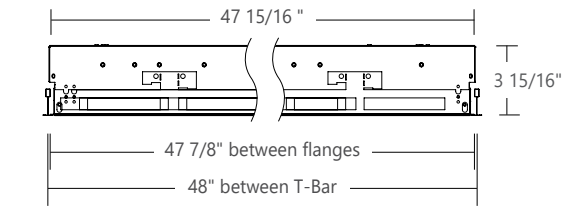
NOMINAL LUMEN OUTPUT	INPUT WATTS	EFFICACY
3100 lm	27.4 W	113 lm/W
4500 lm	41.6 W	108 lm/W
5000 lm	47.0 W	106 lm/W
7000 lm	71.6 W	98 lm/W
9000 lm	98 W	92 lm/W

* Based on a 2' x 4' luminaire using one driver

SECTION VIEW



SIDE VIEW



*Check the latest update on the DLC website for complete information. Not all versions may be DLC qualified. See page 2 for DLC Approved options



Ordering Guide

AULED		24	TOTAL NOM. LUMENS		CRI	COLOR TEMP.		SO
PRODUCT ID		SIZE						SHIELDING
AULED	Recessed LED	24 2'X4'	3100	3100 lm - Minimum	80	27	2700 K	SO
			9000	9000 lm - Maximum	90	30	3000 K	spotless optics
						35	3500 K	
						40	4000 K	
Outputs between listed min and max are available. Consult factory for outputs outside of the listed range.								

FINISH	VOLTAGE	DRIVER	CIRCUITS	MOUNTING
W white C custom	120 120 V 277 277 V 347 347 V ⁽¹⁾ UNV universal	DP dimming (0-10V) 1% D dimming (0-10V) 5% 347V standard ⁽²⁾ LT Lutron ⁽³⁾ BI bi-level dimming O other ⁽⁴⁾	1 1 circuit +E(#) +NL(#) +GTD(#)	TB9 t-bar 9/16" TB15 t-bar 15/16" ST screw slot t-bar TG9 regular 9/16" TG15 regular 15/16" DF drywall flange
	(1) D dimming (0-10V) 5% standard	(2) For 347V only (3) Specify system (4) Please consult factory; see page 2	(5) Specify quantity	

BATTERY (OPTIONAL)	OTHER (OPTIONAL)	IC CONTROLS (OPTIONAL)	CUSTOM (OPTIONAL)
B# battery pack	F fuse ⁽⁶⁾ FW(#) flex whip (6' std) AR air return CP Chicago plenum	DS# daylight sensor OS# occupancy sensor DOS# daylight & occupancy sensor EN# Enlighted integral ⁽⁷⁾ ENR# Enlighted remote ⁽⁷⁾ WC# wireless control dimming	C custom
Not available with 347V Please consult factory	(6) Requires 120V or 277V	(7) Please consult factory Specify quantity. Requires 1.5" blank. See integrated controls guide for more details.	Please specify

● SPECIFICATIONS

Housing	Die formed cold rolled sheet steel (20 gauge)
Central Lens Housing	Extruded aluminum (0.060" nominal)
Center Lens	Spotless PMMA lens with linear refraction optics
Side Lens	Side lens 0.08" PMMA satin blend
Reflectors	Die formed cold rolled sheet steel (22 gauge)
Interior Brackets	Die formed cold rolled sheet steel (20 gauge)
Drywall Flange Kit	Extruded aluminum (0.060" nominal)

● ELECTRICAL

Lutron driver*	L3D - Hi-Lume A-Series EcoSystem 3-Wire Control (1%) LDE1 - EcoSystem H-Series (1%) LDE5 - EcoSystem 5-Series (5%) LTE - Hi-Lume® A-series 2Wires Forward Phase (1%) <small>*Consult factory</small>
Other drivers	DALI - Digital Addressable Lighting Interface DMX - Digital Multiplex LV - line voltage - Advance Mark 10 Xitanium SR - For wireless sensor
Emergency	Integral emergency battery pack or emergency circuit optional.
Input Voltage	120V, 277V, 347V, UNV.

i Incorporating these components may have limitations or affect the length of the luminaire. Please contact factory for more details.

● FINISH

Highly reflective, matte powder coat white paint for high efficiency. Matte texture to diffuse glare and lamp image on the surface within the optical chamber exterior. Custom finishes are also available.

● WARRANTY

Axis Lighting will warrant defective LEDs, boards, and drivers for 5 years from date of purchase. Warranty is valid if luminaire is installed and used according to specifications. If defective, Axis will send replacement boards or drivers at no cost along with detailed replacement instructions and instructions on how to return defective components to Axis.

LED life Minimum 50,000h with 85% of lumen maintenance in 25°C ambient temperature, in compliance with IES LM-80 testing measurements.

● APPROVALS

Certified to UL and CSA standards
Chicago Plenum Certified (CCEA)
Meets NYC requirements
Suitable for damp locations.
IC Rated (Insulated ceiling)



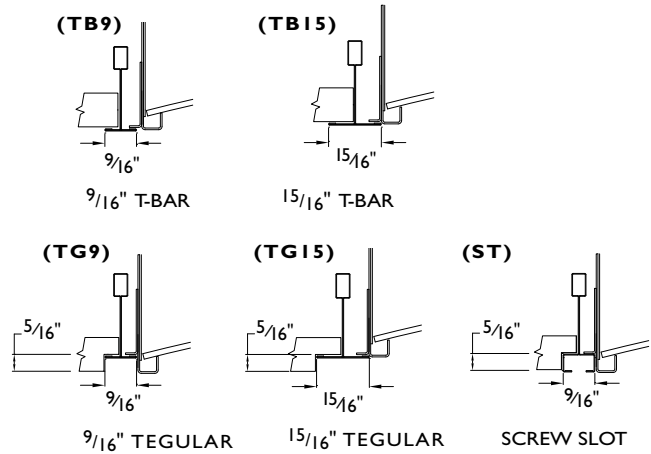
*Check the latest update on the DLC website for complete information. Not all versions may be DLC qualified.

● DLC Approved Options

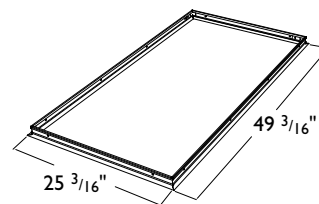
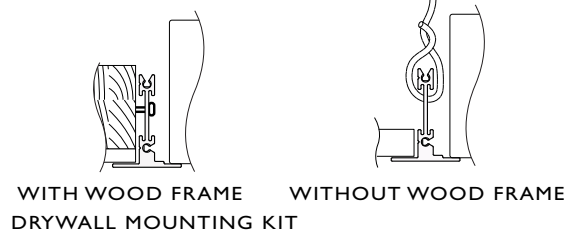
SIZE	OUTPUT	CRI	LUMENS	SHIELDING	FINISH	VOLTAGE	DRIVER	CIRCUITS
2'X4'	3100 lm	80	3000 K	VL	white	universal	DP	1
	4500 lm		3500 K					
	5000 lm		4000 K					
	7000 lm							
	9000 lm							

● CEILING SYSTEM

T-BAR STYLE MOUNTING



DRYWALL WITH FLANGE KIT (DF)



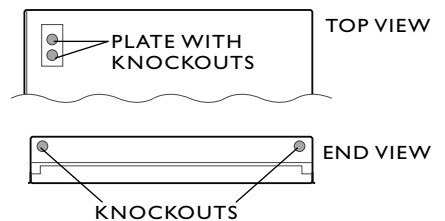
FIXTURE DIMENSIONS
47 3/8" / 23 3/8"

CUT HOLE DIMENSIONS
48 7/16" / 24 7/16"

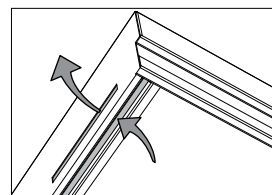
i Installation sheets for all mounting options are available at: www.axislighting.com

● STANDARD AND END MOUNT POWER FEED

Knockouts for BX cable connection are provided both on the top and on the ends of the luminaire. This allows for an end mount power feed solution if it is required. (BX CABLE BY OTHER)



● AIR RETURN



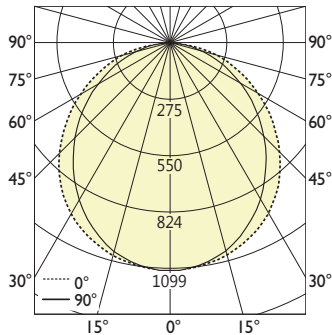
The air return (AR) option consists of discrete slots along the sides of the luminaire. These slots allow air to exhaust into the plenum and eliminate the need for unsightly air return grilles, and create a clean and well organized ceiling.

● WEIGHT

Standard	19 lbs / 8.6 kg
Drywall with Kit	21 lbs / 9.6 kg

● PHOTOMETRIC DATA

PHOTOMETRIC CURVE



Luminaire Lumens: 3100 lm
Input Watts: 27.4 W
Efficacy: 113 lm/W
 IES FILE: AULED-24-3100-80-35-SO.ies

TESTED ACCORDING TO IES LM-79-2008

CANDELA DISTRIBUTION

Vertical Angle	Horizontal Angles				
	0	22.5	45	67.5	90
0	1099	1099	1099	1099	1099
5	1095	1096	1091	1094	1093
15	1064	1062	1049	1043	1042
25	999	991	965	947	938
35	898	883	848	816	803
45	755	743	703	664	647
55	589	579	543	502	483
65	416	410	380	342	322
75	252	246	225	194	174
85	69	82	83	68	50
90	15	35	39	23	16

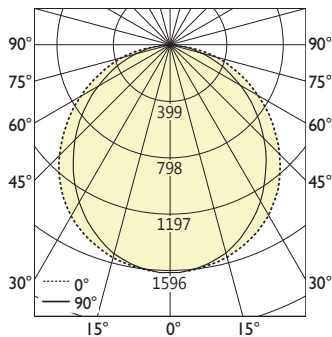
ZONAL LUMENS

Zone	Lumens
0	
0-10	104
10-20	297
20-30	446
30-40	531
40-50	542
50-60	483
60-70	372
70-80	231
80-90	85
90	

LUMINANCE DATA (cd/m²)

Vertical Angle	Horizontal Angles		
	0	45	90
45	1547	1439	1325
55	1487	1370	1220
65	1426	1302	1105
75	1412	1261	971
85	1141	1378	826

PHOTOMETRIC CURVE



Luminaire Lumens: 4500 lm
Input Watts: 41.6 W
Efficacy: 108 lm/W
 IES FILE: AULED-24-4500-80-35-SO.ies

TESTED ACCORDING TO IES LM-79-2008

CANDELA DISTRIBUTION

Vertical Angle	Horizontal Angles				
	0	22.5	45	67.5	90
0	1596	1596	1596	1596	1596
5	1590	1591	1584	1588	1587
15	1545	1541	1523	1514	1512
25	1451	1439	1401	1374	1362
35	1303	1282	1231	1185	1165
45	1096	1079	1020	964	939
55	855	840	788	729	702
65	604	595	551	497	468
75	366	358	327	282	252
85	100	119	120	99	72
90	22	51	57	33	23

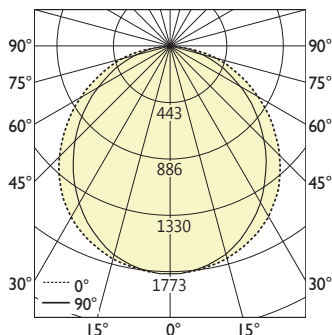
ZONAL LUMENS

Zone	Lumens
0	
0-10	151
10-20	430
20-30	647
30-40	771
40-50	787
50-60	701
60-70	540
70-80	336
80-90	123
90	

LUMINANCE DATA (cd/m²)

Vertical Angle	Horizontal Angles		
	0	45	90
45	2245	2089	1924
55	2159	1989	1772
65	2071	1890	1604
75	2050	1830	1410
85	1657	2000	1200

PHOTOMETRIC CURVE



Luminaire Lumens: 5000 lm
Input Watts: 47.0 W
Efficacy: 106 lm/W
 IES FILE: AULED-24-5000-80-35-SO.ies

TESTED ACCORDING TO IES LM-79-2008

CANDELA DISTRIBUTION

Vertical Angle	Horizontal Angles				
	0	22.5	45	67.5	90
0	1773	1773	1773	1773	1773
5	1767	1768	1760	1765	1763
15	1716	1713	1692	1682	1680
25	1612	1598	1557	1527	1514
35	1448	1424	1368	1317	1295
45	1218	1199	1133	1071	1044
55	950	934	875	810	780
65	671	661	613	552	520
75	407	397	363	313	280
85	111	132	134	110	80
90	24	57	64	36	26

ZONAL LUMENS

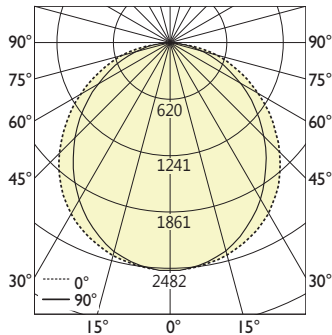
Zone	Lumens
0	
0-10	168
10-20	478
20-30	719
30-40	857
40-50	874
50-60	779
60-70	600
70-80	373
80-90	137
90	

LUMINANCE DATA (cd/m²)

Vertical Angle	Horizontal Angles		
	0	45	90
45	2495	2321	2137
55	2398	2210	1968
65	2301	2099	1782
75	2277	2033	1567
85	1841	2223	1333

● PHOTOMETRIC DATA

PHOTOMETRIC CURVE



Luminaire Lumens: 7000 lm
Input Watts: 71.6 W
Efficacy: 98 lm/W
 IES FILE: AULED-24-7000-80-35-SO.ies

TESTED ACCORDING TO IES LM-79-2008

CANDELA DISTRIBUTION

Vertical Angle	Horizontal Angles				
	0	22.5	45	67.5	90
0	2482	2482	2482	2482	2482
5	2473	2475	2464	2471	2469
15	2403	2398	2369	2355	2352
25	2257	2238	2180	2138	2119
35	2027	1994	1915	1843	1813
45	1705	1678	1586	1499	1461
55	1330	1307	1226	1134	1091
65	940	925	858	773	728
75	570	556	509	438	392
85	155	184	187	154	112
90	34	79	89	51	36

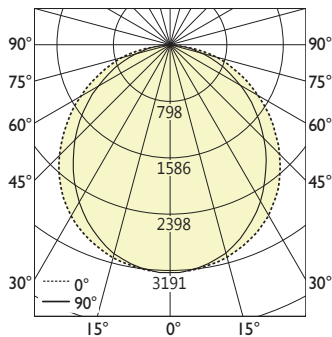
ZONAL LUMENS

Zone	Lumens
0	
0-10	235
10-20	670
20-30	1007
30-40	1199
40-50	1224
50-60	1091
60-70	840
70-80	522
80-90	191
90	

LUMINANCE DATA (cd/m²)

Vertical Angle	Horizontal Angles		
	0	45	90
45	3492	3249	2992
55	3358	3095	2756
65	3221	2939	2495
75	3188	2847	2193
85	2577	3112	1866

PHOTOMETRIC CURVE



Luminaire Lumens: 9000 lm
Input Watts: 98W
Efficacy: 92 lm/W
 IES FILE: AULED-24-9000-80-35-SO.ies

TESTED ACCORDING TO IES LM-79-2008

CANDELA DISTRIBUTION

Vertical Angle	Horizontal Angles				
	0	22.5	45	67.5	90
0	3191	3191	3191	3191	3191
5	3180	3183	3168	3177	3174
15	3089	3083	3045	3027	3024
25	2901	2877	2802	2749	2725
35	2606	2563	2462	2370	2331
45	2192	2158	2040	1927	1879
55	1710	1681	1576	1458	1403
65	1208	1190	1103	993	936
75	733	715	654	563	504
85	199	237	241	198	144
90	43	102	114	65	46

ZONAL LUMENS

Zone	Lumens
0	
0-10	302
10-20	861
20-30	1295
30-40	1542
40-50	1574
50-60	1402
60-70	1080
70-80	671
80-90	246
90	

LUMINANCE DATA (cd/m²)

Vertical Angle	Horizontal Angles		
	0	45	90
45	4490	4178	3847
55	4317	3979	3543
65	4141	3779	3208
75	4099	3660	2820
85	3314	4001	2400