

Project \_\_\_\_\_

Type \_\_\_\_\_

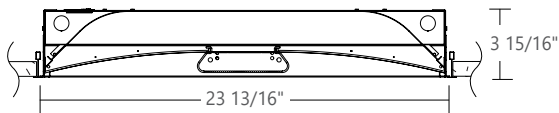
Notes \_\_\_\_\_

### PERFORMANCE AT 3500K

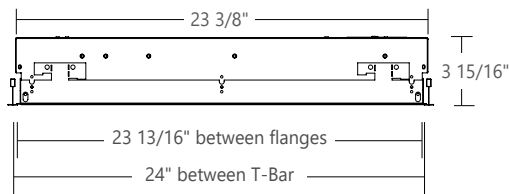
NOMINAL LUMEN OUTPUT	INPUT WATTS	EFFICACY
2500 lm	23.3 W	107 lm/W
3000 lm	29.8 W	104 lm/W
4000 lm	41.2 W	97 lm/W
4400 lm	46.8 W	94 lm/W

\* Based on a 2' x 2' luminaire using one driver

### SECTION VIEW



### SIDE VIEW



\*Check the latest update on the DLC website for complete information. Not all versions may be DLC qualified. See page 2 for DLC Approved options



### Ordering Guide

AULED		22	TOTAL NOM. LUMENS		CRI	COLOR TEMP .	SO
PRODUCT ID		SIZE					SHIELDING
AULED	Recessed LED	22 2'X2'	2500	2500 lm - Minimum	80	27	SO
			4400	4400 lm - Maximum	90	30	spotless optics
						35	
						40	
Outputs between listed min and max are available. Consult factory for outputs outside of the listed range.							

FINISH	VOLTAGE	DRIVER	CIRCUITS	MOUNTING
W white	120 120 V	DP dimming (0-10V) 1%	1 1 circuit	TB9 t-bar 9/16"
C custom	277 277 V	D dimming (0-10V) 5% 347V standard <sup>(2)</sup>	+E(#) emergency section <sup>(4)</sup>	TB15 t-bar 15/16"
	347 347 V <sup>(1)</sup>	LT Lutron <sup>(3)</sup>	+NL(#) night light section <sup>(4)</sup>	ST screw slot t-bar
	UNV universal	BI bi-level dimming	+GTD(#) generator transfer device <sup>(4)</sup>	TG9 regular 9/16"
		O other <sup>(4)</sup>		TG15 regular 15/16"
				DF drywall flange
	(1) D dimming (0-10V) 5% standard	(2) For 347V only (3) Specify system (4) Please consult factory; see page 2	(4) Specify quantity	

BATTERY (OPTIONAL)	OTHER (OPTIONAL)	IC CONTROLS (OPTIONAL)	CUSTOM (OPTIONAL)
B# battery pack	F fuse <sup>(5)</sup> FW(#) flex whip (6' std) AR air return CP Chicago plenum	DS# daylight sensor OS# occupancy sensor DOS# daylight & occupancy sensor EN# Enlighted integral <sup>(6)</sup> ENR# Enlighted remote <sup>(6)</sup> WC# wireless control dimming	C custom
Not available with 347V Please consult factory	(5) Requires 120V or 277V	(6) Please consult factory Specify quantity. Requires 1.5" blank. See integrated controls guide for more details.	Please specify

### ● SPECIFICATIONS

<b>Housing</b>	Die formed cold rolled sheet steel (20 gauge)
<b>Central Lens Housing</b>	Extruded aluminum (0.060" nominal)
<b>Center Lens</b>	Spotless PMMA lens with linear refraction optics
<b>Side Lens</b>	Side lens 0.08" PMMA satin blend
<b>Reflectors</b>	Die formed cold rolled sheet steel (22 gauge)
<b>Interior Brackets</b>	Die formed cold rolled sheet steel (20 gauge)
<b>Drywall Flange Kit</b>	Extruded aluminum (0.060" nominal)

### ● ELECTRICAL

<b>Lutron driver*</b>	L3D - Hi-Lume A-Series EcoSystem 3-Wire Control (1%) LDE1 - EcoSystem H-Series (1%) LDE5 - EcoSystem 5-Series (5%) LTE - Hi-Lume® A-series 2Wires Forward Phase (1%) *Consult factory
<b>Other drivers</b>	DALI - Digital Addressable Lighting Interface DMX - Digital Multiplex LV - line voltage - Advance Mark 10 Xitanium SR - For wireless sensor
<b>Emergency</b>	Integral emergency battery pack or emergency circuit optional.
<b>Input Voltage</b>	120V, 277V, 347V, UNV.

**i** Incorporating these components may have limitations or affect the length of the luminaire. Please contact factory for more details.

### ● FINISH

Highly reflective, matte powder coat white paint for high efficiency. Matte texture to diffuse glare and lamp image on the surface within the optical chamber exterior. Custom finishes are also available.

### ● WARRANTY

Axis Lighting will warrant defective LEDs, boards, and drivers for 5 years from date of purchase. Warranty is valid if luminaire is installed and used according to specifications.

If defective, Axis will send replacement boards or drivers at no cost along with detailed replacement instructions and instructions on how to return defective components to Axis.

**LED life** Minimum 50,000h with 85% of lumen maintenance in 25°C ambient temperature, in compliance with IES LM-80 testing measurements.

### ● APPROVALS

Certified to UL and CSA standards  
Chicago Plenum Certified (CCEA)  
Meets NYC requirements  
Suitable for damp locations.  
IC Rated (Insulated ceiling)



\*Check the latest update on the DLC website for complete information. Not all versions may be DLC qualified.

### ● DLC Approved Options

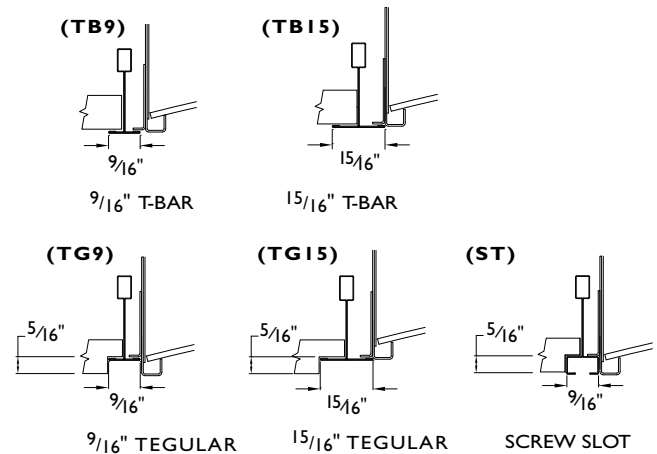
SIZE	OUTPUT	CRI	LUMENS	SHIELDING	FINISH	VOLTAGE	DRIVER	CIRCUITS
2'X2'	2500 lm	80	3000 K	VL	white	universal	DP	1
	3000 lm		3500 K					
	4000 lm		4000 K					
	4400 lm							

### ● WEIGHT

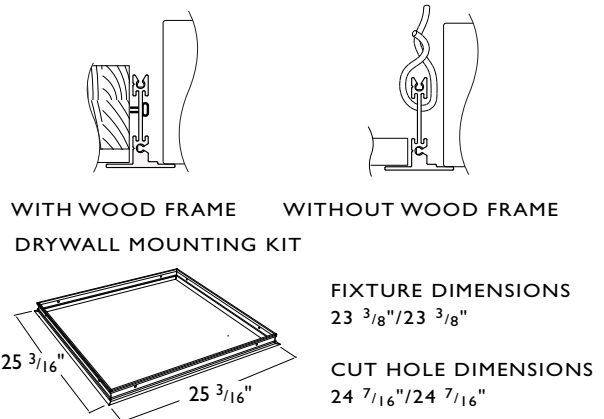
<b>Standard</b>	19 lbs / 8.6 kg
<b>Drywall with Kit</b>	21 lbs / 9.6 kg

### ● CEILING SYSTEM

#### T-BAR STYLE MOUNTING



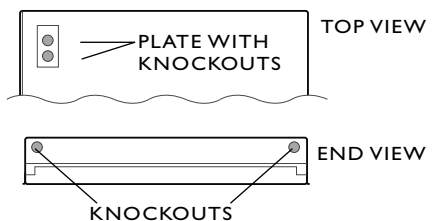
#### DRYWALL WITH FLANGE KIT (DF)



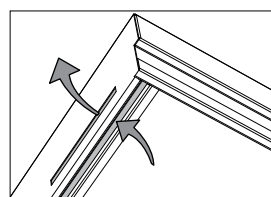
**i** Installation sheets for all mountings options are available at [www.axislighting.com](http://www.axislighting.com)

### ● STANDARD AND END MOUNT POWER FEED

Knockouts for BX cable connection are provided both on the top and on the ends of the luminaire. This allows for an end mount power feed solution if it is required. (BX CABLE BY OTHER)



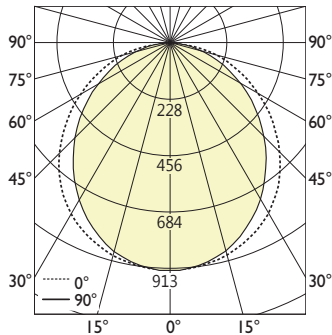
### ● AIR RETURN



The air return (AR) option consists of discrete slots along the sides of the luminaire. These slots allow air to exhaust into the plenum and eliminate the need for unsightly air return grilles, and create a clean and well organized ceiling.

### ● PHOTOMETRIC DATA

#### PHOTOMETRIC CURVE



**Luminaire Lumens: 2500 lm**  
**Input Watts: 23.3 W**  
**Efficacy: 107 lm/W**  
 IES FILE: AULED-22-2500-80-35-SO.ies  
 TESTED ACCORDING TO IES LM-79-2008

#### CANDELA DISTRIBUTION

Vertical Angle	Horizontal Angles				
	0	22.5	45	67.5	90
0	913	913	913	913	913
5	909	910	905	904	900
15	882	878	868	858	855
25	826	817	795	775	766
35	739	725	696	665	652
45	619	605	572	538	522
55	480	466	437	404	389
65	337	326	301	272	258
75	204	195	175	151	138
85	57	57	53	45	37
90	16	9	8	6	5

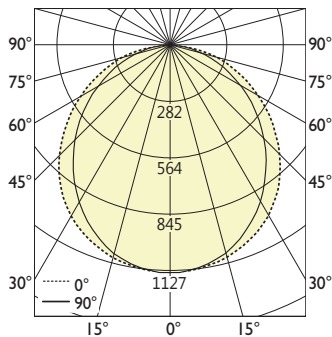
#### ZONAL LUMENS

Zone	Lumens
0	
0-10	86
10-20	245
20-30	367
30-40	435
40-50	441
50-60	389
60-70	297
70-80	183
80-90	59
90	

#### LUMINANCE DATA (cd/m<sup>2</sup>)

Vertical Angle	Horizontal Angles		
	0	45	90
45	2693	2490	2272
55	2572	2344	2085
65	2453	2193	1881
75	2425	2083	1640
85	2023	1886	1289

#### PHOTOMETRIC CURVE



**Luminaire Lumens: 3000 lm**  
**Input Watts: 29.8 W**  
**Efficacy: 104 lm/W**  
 IES FILE: AULED-22-3000-80-35-SO.ies  
 TESTED ACCORDING TO IES LM-79-2008

#### CANDELA DISTRIBUTION

Vertical Angle	Horizontal Angles				
	0	22.5	45	67.5	90
0	1127	1127	1127	1127	1127
5	1123	1124	1118	1116	1112
15	1089	1085	1072	1060	1057
25	1020	1009	982	957	946
35	913	895	859	821	805
45	765	747	707	664	645
55	592	576	540	499	480
65	416	402	372	336	319
75	252	241	216	186	170
85	71	70	66	55	45
90	20	12	10	8	6

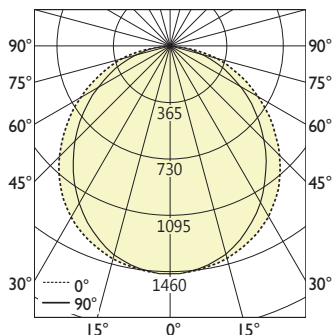
#### ZONAL LUMENS

Zone	Lumens
0	
0-10	106
10-20	302
20-30	453
30-40	537
40-50	544
50-60	481
60-70	366
70-80	226
80-90	73
90	

#### LUMINANCE DATA (cd/m<sup>2</sup>)

Vertical Angle	Horizontal Angles		
	0	45	90
45	3327	3075	2806
55	3178	2895	2575
65	3030	2709	2324
75	2996	2572	2026
85	2499	2330	1592

#### PHOTOMETRIC CURVE



**Luminaire Lumens: 4000 lm**  
**Input Watts: 41.2 W**  
**Efficacy: 97 lm/W**  
 IES FILE: AULED-22-4000-80-35-SO.ies  
 TESTED ACCORDING TO IES LM-79-2008

#### CANDELA DISTRIBUTION

Vertical Angle	Horizontal Angles				
	0	22.5	45	67.5	90
0	1460	1460	1460	1460	1460
5	1454	1456	1449	1446	1440
15	1411	1406	1388	1373	1369
25	1322	1306	1272	1240	1225
35	1182	1160	1113	1063	1043
45	990	967	916	861	835
55	767	746	699	646	622
65	539	521	482	436	413
75	326	312	280	241	221
85	92	91	85	71	58
90	25	15	13	10	8

#### ZONAL LUMENS

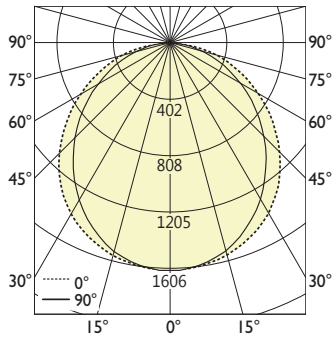
Zone	Lumens
0	
0-10	138
10-20	392
20-30	587
30-40	695
40-50	705
50-60	623
60-70	475
70-80	292
80-90	95
90	

#### LUMINANCE DATA (cd/m<sup>2</sup>)

Vertical Angle	Horizontal Angles		
	0	45	90
45	4309	3983	3635
55	4116	3751	3336
65	3925	3509	3010
75	3880	3332	2624
85	3237	3018	2062

### ● PHOTOMETRIC DATA

#### PHOTOMETRIC CURVE



**Luminaire Lumens: 4400 lm**  
**Input Watts: 46.8 W**  
**Efficacy: 94 lm/W**  
 IES FILE: AULED-22-4400-80-35-SO.ies  
 TESTED ACCORDING TO IES LM-79-2008

#### CANDELA DISTRIBUTION

Vertical Angle	Horizontal Angles				
	0	22.5	45	67.5	90
0	1606	1606	1606	1606	1606
5	1600	1602	1594	1590	1584
15	1552	1546	1527	1510	1506
25	1454	1437	1400	1364	1348
35	1301	1276	1224	1170	1147
45	1089	1064	1007	947	919
55	844	821	769	711	684
65	593	573	530	479	455
75	359	343	308	265	243
85	101	100	94	79	64
90	28	17	15	11	9

#### ZONAL LUMENS

Zone	Lumens
0	
0-10	151
10-20	431
20-30	645
30-40	765
40-50	775
50-60	685
60-70	522
70-80	321
80-90	104
90	

#### LUMINANCE DATA (cd/m<sup>2</sup>)

Vertical Angle	Horizontal Angles		
	0	45	90
45	4740	4382	3999
55	4528	4126	3669
65	4317	3860	3311
75	4268	3665	2886
85	3561	3320	2268