

# WALL INFORMA

## 3G-WINLED

### WALL

1, 2 AND 3 LIGHT - LED

# 3G

LIGHTING



Trim



Trimless



Pendant Informa



Countinuous Slots

## FEATURES

### CONSTRUCTION

- Extruded aluminum frame. Standard clear etched anodized finish
- Wall canopy fabricated in steel. Standard matte silver powder coated finish
- Solid aluminum double gimbals. Adjustable and lockable
- Anodized aluminum reflectors and extruded aluminum heatsinks
- Solid aluminum support arm is adjustable and lockable
- Modified and custom configurations available

### ELECTRICAL

- Standard 120-277V, 0-10V dimmable drivers with 100-1% dimming range
- 85% efficiency and 0.9 power factor
- Lutron and eldoLED driver options available with 100-1% dimming range

### LED SYSTEM

- Available in 27K, 30K, 35K, and 40K
- Average rated life of > 50,000 hours
- Color consistency < 2 SDCM
- Standard (80+CRI). Optional (90+ and 97+CRI)
- LED modules carry a 5-year warranty
- Modules are field replaceable

### LUMEN MAINTENANCE

- L70 at 60,000 hours

### MOUNTING

- Wall canopy mounts to a standard junction box

### LABELS

- ETL listed. Suitable for dry or damp locations

### WARRANTY

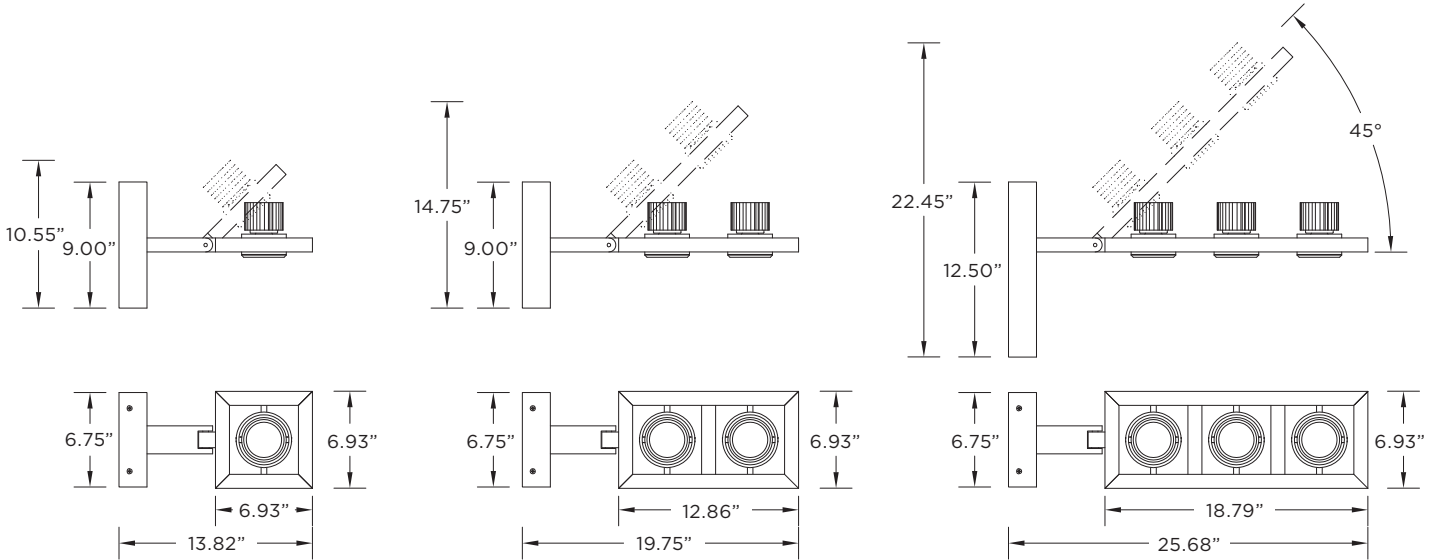
- 5 Year limited warranty

PROJECT

TYPE

DATE

CATALOG #



**GIMBAL ADJUSTABILITY:** 45° x 35°

**ORDERING INFORMATION**

CAT. NO	NUMBER OF LAMPS	LUMEN OUTPUT (PER FIXTURE HEAD)	CRI	COLOR TEMP	BEAM ANGLE	VOLTAGE
<b>3G-WIN</b>	<b>1LED</b> - 1 LIGHT	<b>10</b> - 1000 LUMENS	<b>S80</b> - 80+CRI (STANDARD) <b>H90</b> - 90+ CRI1 <b>H97</b> - 97+ CRI2	<b>27K</b> - 2700K	<b>20D</b> - 20°	<b>120</b> - 120V <b>277</b> - 277V <b>347</b> - 347V (0-10V ONLY)
	<b>2LED</b> - 2 LIGHT	<b>15</b> - 1500 LUMENS		<b>30K</b> - 3000K	<b>40D</b> - 40°	
	<b>3LED</b> - 3 LIGHT	<b>22</b> - 2200 LUMENS		<b>35K</b> - 3500K	<b>60D</b> - 60°	
		<b>30</b> - 3000 LUMENS		<b>40K</b> - 4000K		
		<b>40</b> - 4000 LUMENS				

<b>3G-WIN</b>					
---------------	--	--	--	--	--

DRIVER	GIMBAL FINISH	FRAME FINISH	OPTIONS
<b>DIM</b> - 0-10V (STANDARD 100%-1) <b>DHL2</b> - LUTRON (ECO SYSTEM 100-1%) <b>DALI</b> - DALI (100-1%) <b>LE10</b> - FORWARD PHASE (100-10%) <sup>3</sup> <b>LE</b> - FORWARD PHASE (100-1%)	<b>NG</b> - NATURAL (STANDARD) <b>BG</b> - BLACK	<b>AN</b> - ANODIZED (STANDARD) <b>BK</b> - BLACK <b>CF</b> - CUSTOM	<b>2C</b> - 2 CIRCUIT <b>SF70</b> - SOFTENING LENS <b>LS70</b> - LINEAR SPREAD <b>HXB70</b> - BLACK HEXCELL LOUVER

Maximum 3 optical accessories.  
See optical accessories page for more options

--	--	--	--

ORDERING EXAMPLE

**3G-WIN1LED-15-S80-30K-40D-120-DIM-NG-AN**

<sup>1</sup> 90+ CRI available up to 4000lm.  
<sup>2</sup> 97+ CRI available up to 3000lm.  
<sup>3</sup> 100-10% forward phase driver available up to 1500lm

# WALL INFORMA

## 3G-WINLED WALL

1, 2 AND 3 LIGHT - LED



### PERFORMANCE CHARTS

#### 80+ CRI (Based on 40° Beam Angle)

LUMEN OUTPUT	SYSTEM WATTS	DELIVERED LUMENS	EFFICACY LM/W
1000 LUMENS	9.8W	982	100.4
1500 LUMENS	13.7W	1375	100.4
2200 LUMENS	20.7W	2079	100.4
3000 LUMENS	32.1W	2738	85.3
4000 LUMENS	37.8W	3853	101.9
<a href="#">DOWNLOAD</a>			

#### 90+ CRI (Based on 40° Beam Angle)

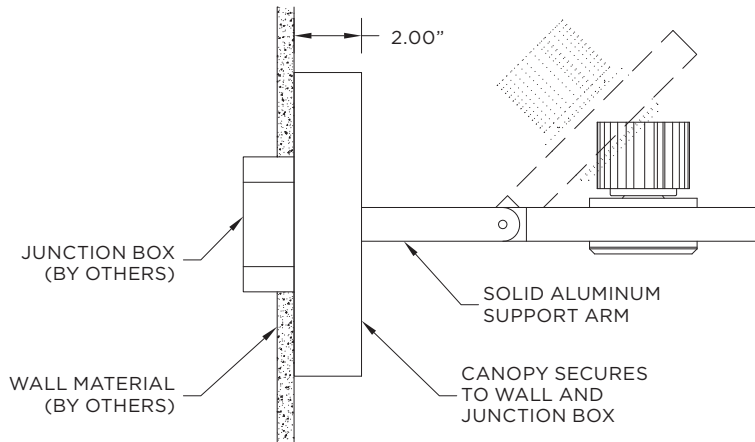
LUMEN OUTPUT	SYSTEM WATTS	DELIVERED LUMENS	EFFICACY LM/W
1000 LUMENS	9.8 W	835	85.4
1500 LUMENS	13.7W	1169	85.4
2200 LUMENS	20.1W	1719	85.4
3000 LUMENS	32.1W	2406	75.0
4000 LUMENS	44.7 W	3409	76.3
<a href="#">DOWNLOAD</a>			

#### 97+ CRI (Based on 40° Beam Angle)

LUMEN OUTPUT	SYSTEM WATTS	DELIVERED LUMENS	EFFICACY LM/W
1000 LUMENS	9.8W	733	75.0
1500 LUMENS	15.6W	1173	75.0
2200 LUMENS	24.2W	1811	75.0
3000 LUMENS	37.2W	2792	75.0
4000LUMENS	N/A	N/A	N/A
<a href="#">DOWNLOAD</a>			

ADDITIONAL IES FILES FOR THIS PRODUCT FOUND [HERE](#)

### MOUNTING



### NOTES

