



3G-SCL45R

4.5" DIAMETER CYLINDER
SURFACE MOUNTED



4.5" diameter high performance cylinder
Companion to 3G-DL45R series downlight family
Extruded aluminum housing with powder coated finish
Twist lock construction and no visible hardware
Regressed LED source for enhanced glare control
Lumen range of 1000lm to 4000lm (80+, 90+, and 97+ CRI options)
1% dimming standard with several integral driver options

ORDERING INFORMATION

PROJECT:	<input type="text"/>	TYPE:	<input type="text"/>
CATALOG #:	<input type="text"/>	DATE:	<input type="text"/>

CAT. NO	LUMEN OUTPUT	CRI	COLOR TEMP	BEAM ANGLE	VOLTAGE
3G-SCL45R	10 - 1000 LUMENS	S80 - 80+CRI (STANDARD)	27K - 2700K	20D - 20°	UNV - 120V-277V
	15 - 1500 LUMENS	H90 - 90+ CRI	30K - 3000K	40D - 40°	120 - 120V ²
	22 - 2200 LUMENS	H97 - 97+ CRI ¹	35K - 3500K	60D - 60°	347 - 347V (0-10V ONLY)
	30 - 3000 LUMENS		40K - 4000K		
	40 - 4000 LUMENS				

DRIVER	CYLINDER FINISH	OPTIONS
DIM - 0-10V (STANDARD 100%-1%)	WH - WHITE	SB70 - SANDBLASTED LENS
DHL2 - LUTRON (ECO SYSTEM "H" 100-1%)	BK - BLACK	SF70 - SOFTENING LENS
DALI - DALI (100-1%)	SV - SILVER	LS70 - LINEAR SPREAD
LE - PHASE DIMMING ² (TRIAC/ELV, 100-1%, 120V ONLY)	CF - CUSTOM RAL COLOR	HXB70 - BLACK HEXELL LOUVER
DO1 - 0-10V (100-0.1%)		
DMX - DMX (100-0%)		

MAXIMUM 1 OPTICAL ACCESSORY

¹ 97+ CRI available up to 2200lm
² Forward phase/Reverse phase driver available up to 2200lm and only in 120V

PERFORMANCE CHART

80+ CRI (Based on 35K and 20° Beam Angle)

LUMEN OUTPUT	SYSTEM WATTS	DELIVERED LUMENS	EFFICACY LM/W
1000 LUMENS	10.0	1044	104.1
1500 LUMENS	14.0	1462	104.1
2200 LUMENS	20.7	2150	104.1
3000 LUMENS	32.9	2935	89.1
4000 LUMENS	42.5	3469	81.7

90+ CRI (Based on 35K and 20° Beam Angle)

LUMEN OUTPUT	SYSTEM WATTS	DELIVERED LUMENS	EFFICACY LM/W
1000 LUMENS	10.0	880	87.7
1500 LUMENS	16.0	1407	87.7
2200 LUMENS	24.8	2173	87.7
3000 LUMENS	32.9	2579	78.3
4000 LUMENS	44.6	3136	70.3

97+ CRI (Based on 35K and 20° Beam Angle)

LUMEN OUTPUT	SYSTEM WATTS	DELIVERED LUMENS	EFFICACY LM/W
1000 LUMENS	10.0	772	77.0
1500 LUMENS	16.0	1236	77.0
2200 LUMENS	24.8	1908	77.0
3000 LUMENS	32.9	2270	69.0
4000 LUMENS	N/A	N/A	N/A

LUMEN OUTPUT ADJUSTMENT FACTORS: (27K=0.945) (30K=0.985) (35K=1.00) (40K=1.01)

EDITION 01/19





3G-SCL45R

4.5" DIAMETER CYLINDER SURFACE MOUNTED

TECHNICAL

HOUSING

Extruded aluminum housing with powder coated finish
Twist and lock construction with no visible hardware

BEVELED INSERT

4.5" with regressed LED source for enhanced glare control
Machined aluminum beveled insert with powder coated finish

OPTICS

Proprietary anodized, aluminum reflectors are field replaceable
Available in 20°, 40°, and 60°

ELECTRICAL

Standard 0-10V, 100-1% dimming and 0.9 power factor
Lutron EcoSystem and eldoLED Dali options available with 100-1% dimming
120V Forward Phase/Reverse Phase driver option with 100-1% dimming
All drivers are integral and easily accessible through cylinder housing

LED SYSTEM

Citizen LED module (field replaceable)
Color consistency < 2 SDCM
Standard (80+CRI). Optional (90+ and 97+CRI)
Available in 27K, 30K, 35K, and 40K
Average rated life of > 50,000 hours
5-year warranty

MOUNTING

All hardware included for mounting to 4" octagonal junction box
Twist and lock mechanism

LISTING

ETL listed and tested to UL standards. Suitable for dry and damp locations

WARRANTY

5 Year warranty on LED and drivers
Manufacturer 1-year warranty for defects in material and workmanship under normal use

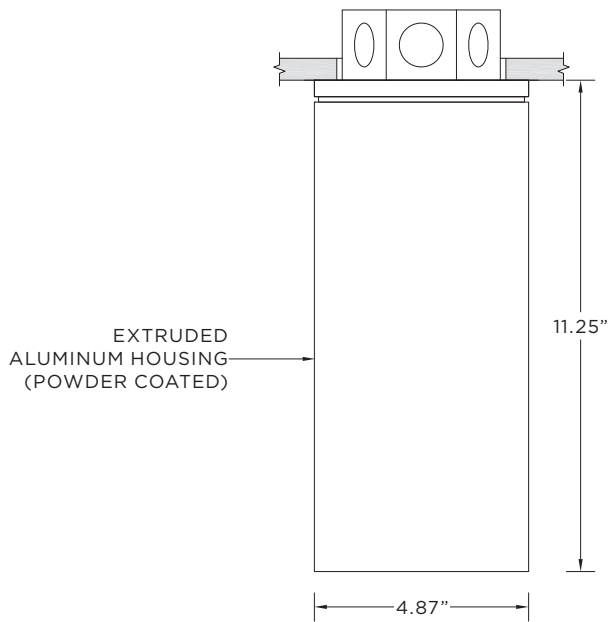


3G-SCL45R

LIGHTING 4.5" DIAMETER CYLINDER SURFACE MOUNTED

DRAWINGS AND DIMENSIONS

**RECESSED J-BOX
(4" OCTAGONAL BY OTHERS)**



**SURFACE MOUNTED J-BOX
(4" OCTAGONAL BY OTHERS)**

