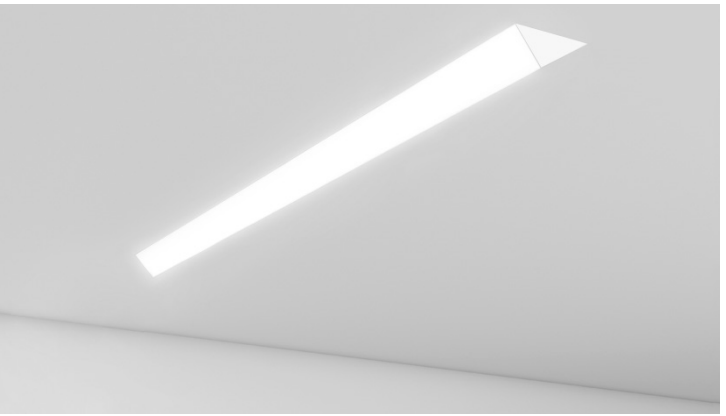




3G-RVLI

V-LINIA RECESSED
TRIM, TRIMLESS & FLANGELESS



Extruded aluminum housing with cast aluminum end caps
V-shaped acrylic lens is fully saturated with proprietary LED system
Individual fixtures or continuous runs available in 1' increments
Suitable for drywall, wood, and various architectural ceilings
Low, standard, and high lumen output options available
1% dimming standard with several driver options

ORDERING INFORMATION

PROJECT:	<input type="text"/>	TYPE:	<input type="text"/>
CATALOG #:	<input type="text"/>	DATE:	<input type="text"/>

CAT. NO	LED SYSTEM	CRI	COLOR TEMP	VOLTAGE	DRIVER
3G-RVLI	L1 - LOW OUTPUT	S80 - 80+CRI (STANDARD)	27K - 2700K	UNV - 120V-277V 347 - 347V (0-10V ONLY)	DIM - 0-10V (STANDARD 100-1%) DHL2 - LUTRON (ECO SYSTEM "H" 100-1%) DALI - DALI (100-0%) DO1 - 0-10V (100-0.1%)
	L2 - STANDARD OUTPUT		30K - 3000K		
	L4 - HIGH OUTPUT	H90 - 90+CRI	35K - 3500K		
			40K - 4000K		

FLANGE TYPE	OPTIONS	LENGTH (FEET)
WT - WHITE TRIM	EM - INTEGRAL EMERGENCY BATTERY (4' SECTION) CP - CHICAGO PLENUM	S-2' - 2'
XTR - TRIMLESS		S-3' - 3'
FX - FLANGELESS		S-4' - 4'
		S-5' - 5'
	S-6' - 6'	
		S-8' - 8'
		S- ___' (STRAIGHT RUN)*

* For continuous runs (9' and up), specify length in feet in 1' increments
Fixture sections are connected on site using 3G's joiner plate kit

PERFORMANCE CHART (Based on 3500K, 4' length)

LED SYSTEM	SYSTEM WATTS (PER FT)	DELIVERED LUMENS (PER FT)	EFFICACY (LM/W)
L1 - LOW OUTPUT	3.4	396	118
L2 - STANDARD OUTPUT	4.9	584	120
L4 - HIGH OUTPUT	8.6	990	115

LUMEN OUTPUT ADJUSTMENT FACTORS: (27K=0.94) (30K=0.97) (35K=1.00) (40K=1.01)

EDITION 02/19



TECHNICAL**HOUSING**

Extruded aluminum housing with cast aluminum end caps
Individual units and continuous runs available in 1' increments
Trim flange with matte white powder coated finish and minimal 0.375" overlap
Trimless model features a satin coat mudding flange
24 gauge LED reflector with high reflectance white powder coated finish
Extruded acrylic lens with a satin finish designed for optimal performance and glare control
Standard polyester powder coated matte white finish

ELECTRICAL

Standard 0-10V, 100-1% dimming and 0.9 power factor
Standard 120V-277V universal voltage drivers. Optional 347V 0-10V driver
Lutron EcoSystem and eldoLED Dali options available with 100-1% dimming
All drivers are integral and easily accessible through the aperture
Integral Emergency Battery: 90 minutes

LED SYSTEM

Proprietary LED system
Color consistency < 3 SDCM
Standard (80+CRI). Optional (90+CRI)
Available in 27K, 30K, 35K, and 40K
Average rated life of > 50,000 hours
5-year warranty

MOUNTING

Housing suspended via 1/4" threaded rod
Trim fixture designed for use in drywall, wood, and other architectural ceiling materials
Trimless fixture designed for use in drywall, mud-in ceiling applications
Flangeless fixture designed for use in wood ceilings

LISTING

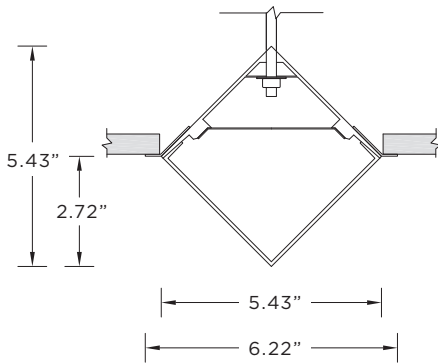
ETL listed and tested to UL standards. Suitable for dry and damp locations

WARRANTY

5 Year warranty on LED and drivers
Manufacturer 1-year warranty for defects in material and workmanship under normal use
Ambient temperature at fixture should not exceed 25°C

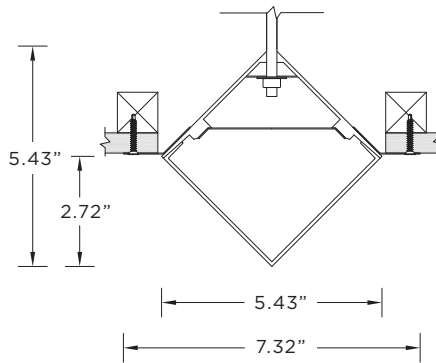
DRAWINGS AND DIMENSIONS

WT - TRIM



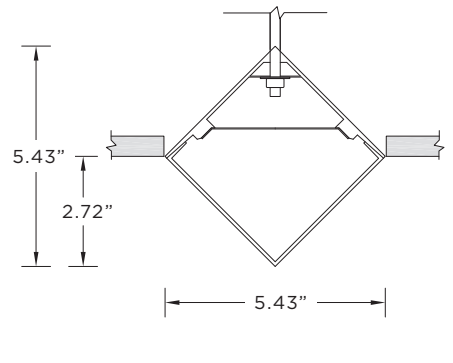
CEILING CUT-OUT
5.75" X (LENGTH + 0.5")

XTR - TRIMLESS

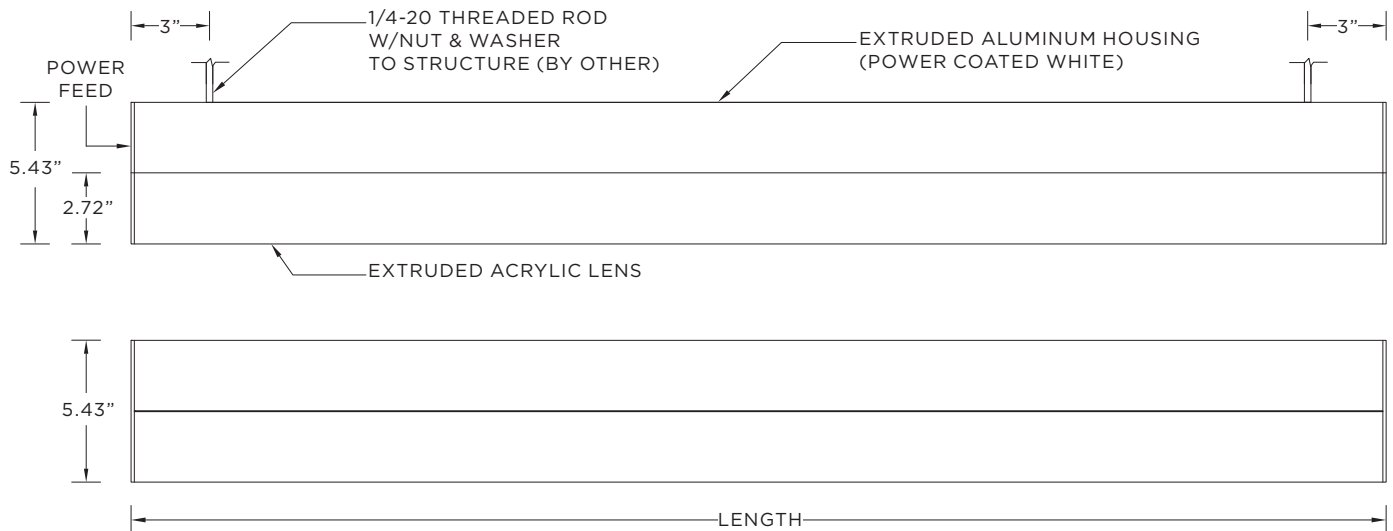


CEILING CUT-OUT
5.75" X (LENGTH + 0.5")

FX - FLANGELESS

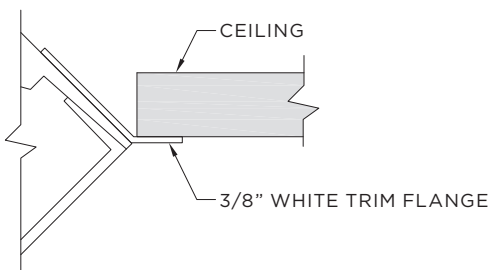


CEILING CUT-OUT
5.75" X (LENGTH + 0.5")

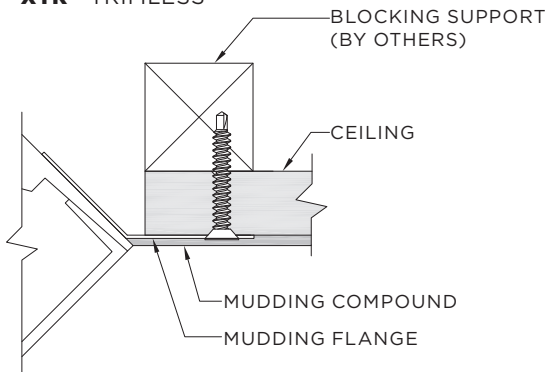


MOUNTING

WT - TRIM



XTR - TRIMLESS



FX - FLANGELESS

