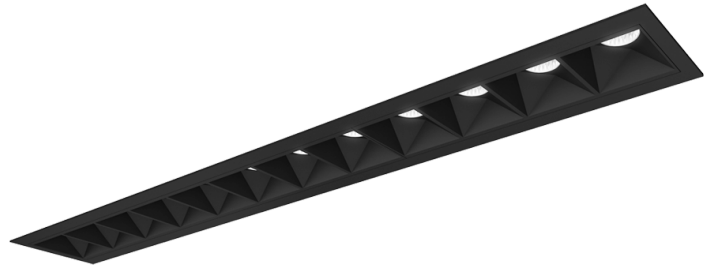




## 3G-RMZ12

12 LIGHT MINI ZOIE  
TRIM & TRIMLESS



12 Light high performance mini downlight with 1.14" apertures  
Features matte black or matte white faceted louvers  
Regressed LED source with enhanced glare control  
Shallow housing standard along with remodel housing option  
Standard integral drivers and remote driver options with 1% dimming

Available Q2

### ORDERING INFORMATION

<b>PROJECT:</b>	<input type="text"/>	<b>TYPE:</b>	<input type="text"/>
<b>CATALOG #:</b>	<input type="text"/>	<b>DATE:</b>	<input type="text"/>

CAT. NO	LUMEN OUTPUT	CRI	COLOR TEMP	BEAM ANGLE	VOLTAGE
3G-RMZ12	L2 - STANDARD OUTPUT  <small>See performance chart for lumen output</small>	H90 - 90+CRI	27K - 2700K	33D - 33°	120 - 120V <sup>1</sup>
			30K - 3000K	50D - 50°	277 - 277V
			35K - 3500K		347 - 347V (REMOTE, 0-10V ONLY)
			40K - 4000K		

DRIVER	FLANGE TYPE & FINISH	HOUSING TYPE	OPTIONS
<b>DIM</b> - 0-10V (STANDARD 100-1%) <b>LE</b> - PHASE DIMMING <sup>1</sup> (TRIAC/ELV, 100-1%, 120V ONLY) <b>DHL2</b> - LUTRON (ECO SYSTEM "H", 100-1%) <b>DALI</b> - DALI (100-1%) <b>RDHL2</b> - REMOTE LUTRON (ECO SYSTEM "H", 100-1%) <b>RDALI</b> - REMOTE DALI (100-1%)	<b>WT</b> - WHITE TRIM & LOUVER <b>BT</b> - BLACK TRIM & LOUVER <b>XTRW</b> - TRIMLESS WITH WHITE LOUVER <b>XTRB</b> - TRIMLESS WITH BLACK LOUVER	<b>RMD</b> - REMODEL (NON-IC) <b>NC</b> - NEW CONSTRUCTION HOUSING <sup>2</sup> <b>SH</b> - IC RATED SHALLOW HOUSING <sup>2</sup> <b>CP</b> - CHICAGO PLENUM <sup>2</sup>	<b>BH</b> - BAR HANGERS

<sup>1</sup> Forward phase/Reverse phase driver available in 120V only  
<sup>2</sup> New Construction Housing, Shallow Housing and Chicago Plenum Housing can be used with remote drivers

### PERFORMANCE CHART (Downlight)

90+ CRI (Based on 35K and 33° Beam Angle)

LUMEN OUTPUT (Per Downlight)	COLOR TEMP	SYSTEM WATTS	DELIVERED LUMENS	EFFICACY LM/W
L2 - STANDARD OUTPUT	27K	25.2W	1656	66
L2 - STANDARD OUTPUT	30K	25.2W	1752	70
L2 - STANDARD OUTPUT	35K	25.2W	1860	74
L2 - STANDARD OUTPUT	40K	25.2W	1908	76

EDITION 01/19



**TECHNICAL****HOUSING**

IC rated shallow housing, and Chicago Plenum housing options available  
Remodel housing available (Remote driver required for Lutron EcoSystem and eldoLED Dali)  
Maximum ceiling thickness of 1". Consult factory for modifications  
Housings are rated for #12 AWG, (4 in, 4 out), 90°C conductors and through branch wiring

**FACETED LOUVER**

1.14" aperture with regressed LED source for enhanced glare control  
Matte black or matte white faceted louver finish

**TRIM**

Cast aluminum trim flange with powder coated finish and minimal 0.300" overlap

**TRIMLESS**

Mudding flange with integral blocking support installs flush with ceiling

**OPTICS**

Proprietary polycarbonate multi-faceted reflectors  
Available in 33° and 50°

**ELECTRICAL**

Standard 0-10V, 100-1% dimming with integral driver  
120V Forward Phase/Reverse Phase driver option with 100-1% dimming  
Remote Lutron EcoSystem and eldoLED Dali options (100-1% dimming)  
All integral driver option easily accessible through the aperture

**LED SYSTEM**

Osram LED source  
Color consistency < 2 SDCM  
Standard 90+CRI  
Available in 27K, 30K, 35K, and 40K  
Average rated life of > 50,000 hours  
5-year warranty

**MOUNTING**

Trim fixture designed for use in drywall, wood, acoustic ceiling tiles, and other ceiling materials  
Trimless fixture designed for use in drywall, mud-in ceiling applications  
Recommended ceiling cut-out: (1 ½" x 12 5/8") All housing options  
Adjustable bar hangers extend from 14" to 26" and can be cut in-field for narrow stud spacing

**LISTING**

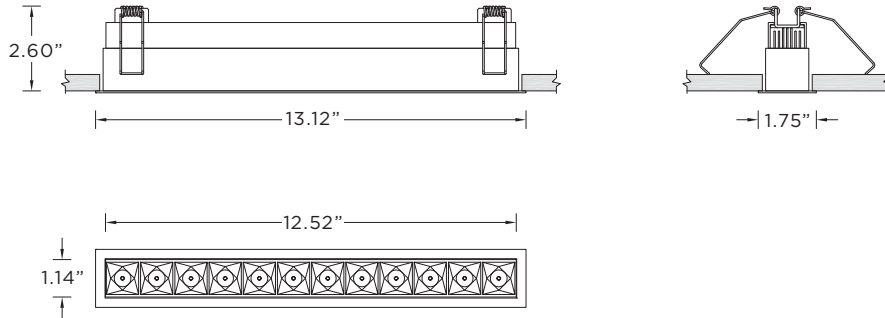
ETL listed and tested to UL standards. Suitable for dry and damp locations

**WARRANTY**

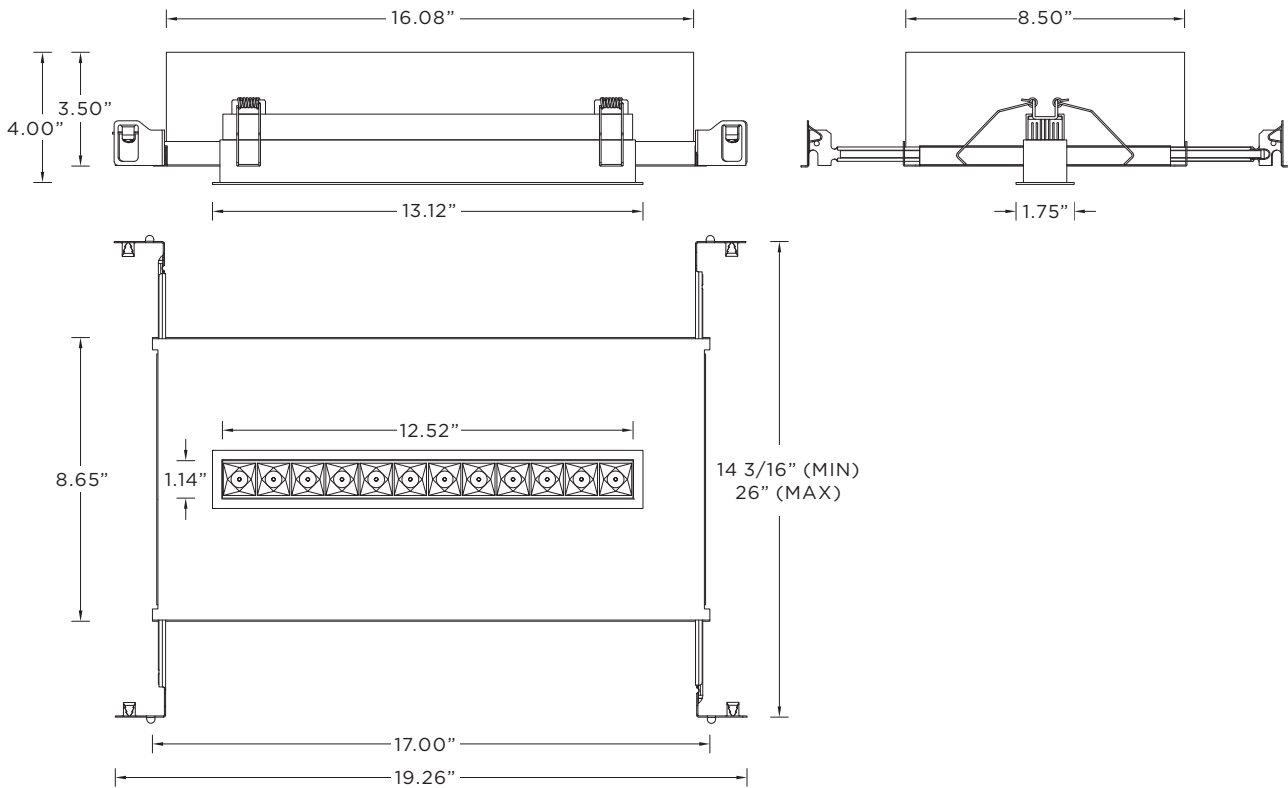
5 Year warranty on LED and drivers  
Manufacturer 1-year warranty for defects in material and workmanship under normal use  
Ambient temperature at fixture should not exceed 25°C

**TRIM HOUSING OPTIONS**

**RMD - Remodel (Non-IC) (Remote driver for Lutron EcoSystem and eldoLED Dali)**

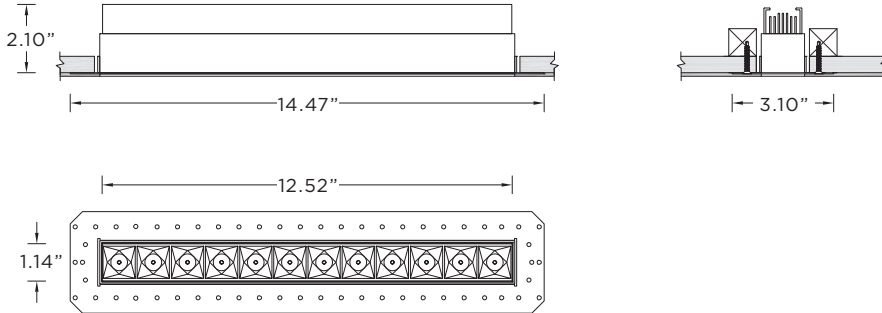


**NC - New Construction Housing**  
**SH - Shallow Housing (IC Rated)**  
**CP - Chicago Plenum Housing**



### TRIMLESS HOUSING OPTIONS

**RMD** - Remodel (Non-IC) (Remote driver for Lutron EcoSystem and eldoLED Dali)



**NC** - New Construction Housing  
**SH** - Shallow Housing (IC Rated)  
**CP** - Chicago Plenum Housing

