



3G-RMZ1
1 LIGHT MINI ZONE
TRIM & TRIMLESS



1.14" aperture high performance mini downlight
Features a matte black or matte white faceted louver
Regressed LED source with enhanced glare control
Shallow housing standard along with remodel housing option
120V Integral driver option and remote drivers with 1% dimming

Available Q2

ORDERING INFORMATION

| | | | |
|-------------------|----------------------|--------------|----------------------|
| PROJECT: | <input type="text"/> | TYPE: | <input type="text"/> |
| CATALOG #: | <input type="text"/> | DATE: | <input type="text"/> |

| CAT. NO | LUMEN OUTPUT | CRI | COLOR TEMP | BEAM ANGLE | VOLTAGE |
|----------------|---|--------------|-------------|------------|---------------------------------|
| 3G-RMZ1 | L2 - STANDARD OUTPUT <small>See performance chart for lumen output</small> | H90 - 90+CRI | 27K - 2700K | 33D - 33° | 120 - 120V ¹ |
| | | | 30K - 3000K | 50D - 50° | 277 - 277V (REMOTE ONLY) |
| | | | 35K - 3500K | | 347 - 347V (REMOTE, 0-10V ONLY) |
| | | | 40K - 4000K | | |

| DRIVER | FLANGE TYPE & FINISH | HOUSING TYPE | OPTIONS |
|---|--|---|-------------------------|
| ND - NON DIM (120V INTEGRAL) RDIM - REMOTE 0-10V (100-1%) RDHL2 - REMOTE LUTRON (ECO SYSTEM "H", 100-1%) RDALI - REMOTE DALI (100-1%) RLE - REMOTE PHASE DIMMING ¹ (TRIAC/ELV, 100-1%, 120V ONLY) | WT - WHITE TRIM & LOUVER BT - BLACK TRIM & LOUVER XTRW - TRIMLESS WITH WHITE LOUVER XTRB - TRIMLESS WITH BLACK LOUVER | RMD - REMODEL (NON-IC) (REMOTE DRIVER ONLY) NC - NEW CONSTRUCTION HOUSING ² SH - IC RATED SHALLOW HOUSING ² (120V INTEGRAL NON-DIM DRIVER) CP - CHICAGO PLENUM ² (120V INTEGRAL NON-DIM DRIVER) | BH - BAR HANGERS |

¹ Forward phase/Reverse phase driver available in 120V only
² New Construction Housing, Shallow Housing and Chicago Plenum Housing can be used with remote drivers

PERFORMANCE CHART (Downlight)

90+ CRI (Based on 35K and 33° Beam Angle)

| LUMEN OUTPUT (Per Downlight) | COLOR TEMP | SYSTEM WATTS | DELIVERED LUMENS | EFFICACY LM/W |
|------------------------------|------------|--------------|------------------|---------------|
| L2 - STANDARD OUTPUT | 27K | 2.1W | 138 | 66 |
| L2 - STANDARD OUTPUT | 30K | 2.1W | 146 | 70 |
| L2 - STANDARD OUTPUT | 35K | 2.1W | 155 | 74 |
| L2 - STANDARD OUTPUT | 40K | 2.1W | 159 | 76 |

EDITION 01/19

TECHNICAL**HOUSING**

IC rated shallow housing, and Chicago Plenum housing options available
Remodel housing available with remote drivers
Maximum ceiling thickness of 1". Consult factory for modifications
Housings are rated for #12 AWG, (4 in, 4 out), 90°C conductors and through branch wiring

FACETED LOUVER

1.14" aperture with regressed LED source for enhanced glare control
Matte black or matte white faceted louver finish

TRIM

Cast aluminum trim flange with powder coated finish and minimal 0.300" overlap

TRIMLESS

Mudding flange with integral blocking support installs flush with ceiling

OPTICS

Proprietary polycarbonate multi-faceted reflectors
Available in 33°, and 50°

ELECTRICAL

Standard 120V, non-dim integral driver
Remote 0-10V, driver option (100-1% dimming)
Remote Lutron EcoSystem and eldoLED Dali options (100-1% dimming)
Remote 120V Forward Phase/Reverse Phase driver option with 100-1% dimming
120V integral non-dim driver easily accessible through the aperture

LED SYSTEM

Osram LED source
Color consistency < 2 SDCM
Standard 90+CRI
Available in 27K, 30K, 35K, and 40K
Average rated life of > 50,000 hours
5-year warranty

MOUNTING

Trim fixture designed for use in drywall, wood, acoustic ceiling tiles, and other ceiling materials
Trimless fixture designed for use in drywall, mud-in ceiling applications
Recommended ceiling cut-out: (1 ½" x 1 ½") All housing options
Adjustable bar hangers extend from 14" to 26" and can be cut in-field for narrow stud spacing

LISTING

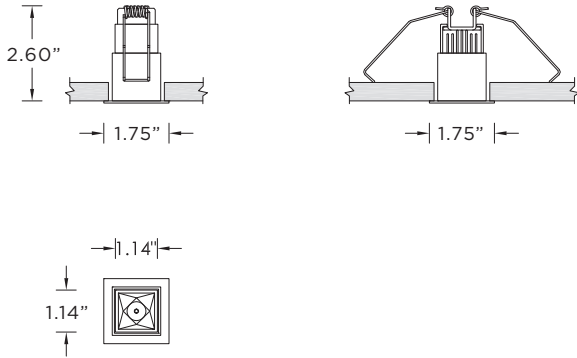
ETL listed and tested to UL standards. Suitable for dry and damp locations

WARRANTY

5 Year warranty on LED and drivers
Manufacturer 1-year warranty for defects in material and workmanship under normal use
Ambient temperature at fixture should not exceed 25°C

TRIM HOUSING OPTIONS

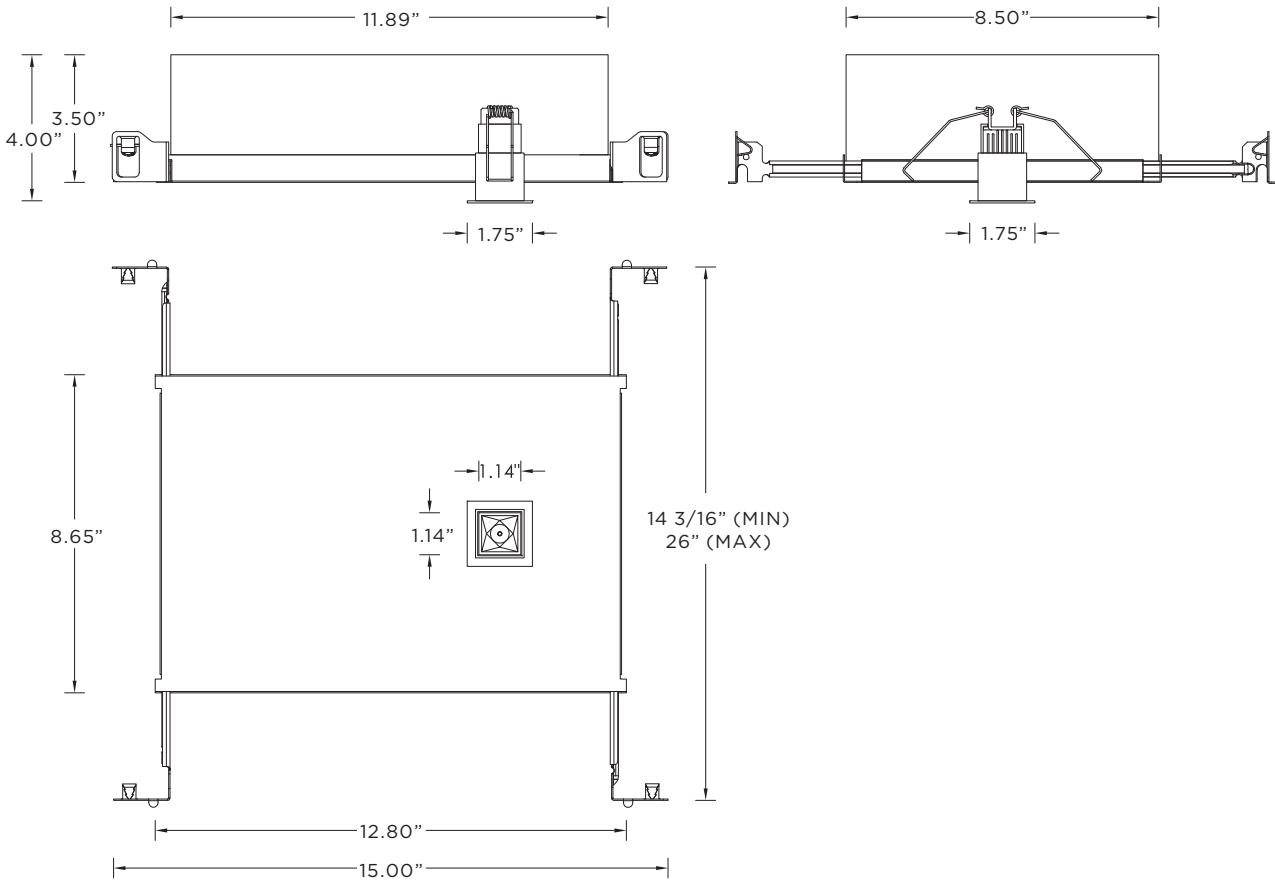
RMD - Remodel (Non-IC, Remote driver only)



NC - New Construction Housing

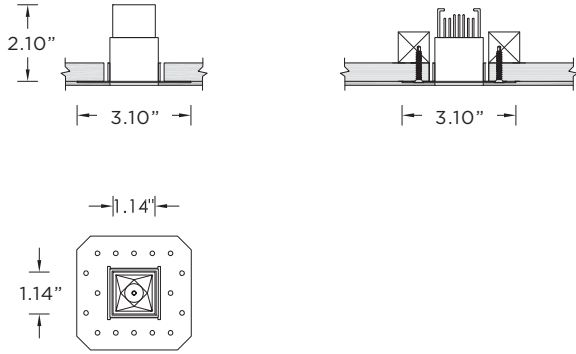
SH - IC Rated Shallow Housing (120V integral non-dim driver)

CP - Chicago Plenum Housing (120V integral non-dim driver)



TRIMLESS HOUSING OPTIONS

RMD - Remodel (Non-IC, Remote driver only)



NC - New Construction Housing

SH - Shallow Housing (IC Rated, 120V integral non-dim driver)

CP - Chicago Plenum Housing (120V integral non-dim driver)

