



3G-RC1M5-4RD

4" ROUND MINI MADISON
TRIM & TRIMLESS



New construction, shallow housing, and IC housing options available
 Machined aluminum insert with seamless ceiling integration
 Trim fixture designed to conceal internal hardware
 50mm machined aluminum double gimbal. Adjustable and lockable
 Regressed LED source for enhanced glare control
 Lumen range up to 1500lm (80+, 90+, and 97+ CRI options)
 1% dimming standard with several integral driver options

ORDERING INFORMATION

| | | | |
|-------------------|----------------------|--------------|----------------------|
| PROJECT: | <input type="text"/> | TYPE: | <input type="text"/> |
| CATALOG #: | <input type="text"/> | DATE: | <input type="text"/> |

| CAT. NO | LUMEN OUTPUT | CRI | COLOR TEMP | BEAM ANGLE | VOLTAGE | DRIVER |
|---------------------|-------------------------|--|--------------------|------------------|--|---|
| 3G-RC1M5-4RD | 10 - 1000 LUMENS | S80 - 80+CRI (STANDARD) H90 - 90+ CRI H97 - 97+ CRI | 27K - 2700K | 40D - 40° | UNV - 120V-277V 120 - 120V ¹ 347 - 347V (0-10V ONLY) | DIM - 0-10V (STANDARD 100-1%) DHL2 - LUTRON (ECO SYSTEM "H" 100-1%) DALI - DALI (100-1%) LE - PHASE DIMMING ¹ (TRIAC/ELV, 100-1%, 120V ONLY) D01 - 0-10V (100-0.1%) |
| | 15 - 1500 LUMENS | | 30K - 3000K | | | |
| | | | 35K - 3500K | | | |
| | | | 40K - 4000K | | | |

| FLANGE TYPE | GIMBAL FINISH | HOUSING INTERIOR | HOUSING TYPE | OPTIONS |
|--|---|------------------------------|---|---|
| WT - WHITE (STANDARD) ST - SILVER BT - BLACK CT - CUSTOM XTR - TRIMLESS | NG - NATURAL ALUMINUM (STANDARD) BG - BLACK WG - WHITE | BK - BLACK (STANDARD) | NC - NEW CONSTRUCTION (NON-IC) IC - IC HOUSING CP - CHICAGO PLENUM SH - SHALLOW HOUSING (IC RATED - BLACK ONLY) ATSH - SHALLOW HOUSING (AIRTIGHT - BLACK ONLY) | BH - BAR HANGERS SF50 - SOFTENING LENS LS50 - LINEAR SPREAD HXB50 - BLACK HEXCELL LOUVER EM - EMERGENCY BATTERY ² Maximum 3 optical accessories See optical accessories page for more options |

¹ Forward phase/Reverse phase driver available in 120V only
² Emergency battery installed remotely by others. Not accessible through the inside of the fixture

PERFORMANCE CHART (Per fixture head)

| 80+ CRI (Based on 35K and 40° Beam Angle) | | | | 90+ CRI (Based on 35K and 40° Beam Angle) | | | | 97+ CRI (Based on 35K and 40° Beam Angle) | | | |
|---|--------------|------------------|---------------|---|--------------|------------------|---------------|---|--------------|------------------|---------------|
| LUMEN OUTPUT | SYSTEM WATTS | DELIVERED LUMENS | EFFICACY LM/W | LUMEN OUTPUT | SYSTEM WATTS | DELIVERED LUMENS | EFFICACY LM/W | LUMEN OUTPUT | SYSTEM WATTS | DELIVERED LUMENS | EFFICACY LM/W |
| 1000 LUMENS | 10.0 | 1007 | 100.4 | 1000 LUMENS | 10.0 | 862 | 85.9 | 1000 LUMENS | 10.0 | 757 | 75.4 |
| 1500 LUMENS | 14.0 | 1409 | 100.4 | 1500 LUMENS | 16.0 | 1379 | 85.9 | 1500 LUMENS | 16.0 | 1211 | 75.4 |

EDITION 01/19

TECHNICAL**HOUSING**

New construction, shallow housing and IC housing options available
Housing fabricated in cold rolled steel. Standard black powder coated finish
Maximum ceiling thickness of 1". Consult factory for modifications
All housing options designed to be easily converted in field to trim or trimless with minimal components
Housings are rated for #12 AWG, (4 in, 4 out), 90°C conductors and through branch wiring

TRIM

Features a 3/4" removable trim assembly designed to conceal inner hardware

TRIMLESS

Mudding flange with integral aluminum blocking support
Machined aluminum insert with seamless ceiling integration

ADJUSTABILITY

Solid aluminum 50mm double gimbal with dual axis adjustability
Each double gimbal can be locked in place

OPTICS

Regressed LED source for enhanced glare control
Proprietary anodized, aluminum reflectors are field replaceable
Available in 40° and 60°

ELECTRICAL

Standard 0-10V, 100-1% dimming and 0.9 power factor
Lutron EcoSystem and eldoLED Dali options available with 100-1% dimming
120V Forward Phase/Reverse Phase driver option with 100-1% dimming
Fixture is pre-wired, thermally protected, and rated for through branch wiring
Electrical enclosures easily accessible through fixture aperture
Emergency Battery: 90 minutes

LED SYSTEM

Citizen LED module (field replaceable)
Color consistency < 2 SDCM
Standard (80+CRI). Optional (90+ and 97+CRI)
Available in 27K, 30K, 35K, and 40K
Average rated life of > 50,000 hours
5-year warranty

MOUNTING

Trim fixture designed for use in drywall, wood, acoustic ceiling tiles, and other architectural ceiling materials
Trimless fixture designed for use in drywall, mud-in ceiling applications
Butterfly brackets compatible with 1/2" x 1/2" channel, 1/2", 5/8", 3/4" bar hanger, 1/2" EMT, and furring strips (supplied by others)

LISTING

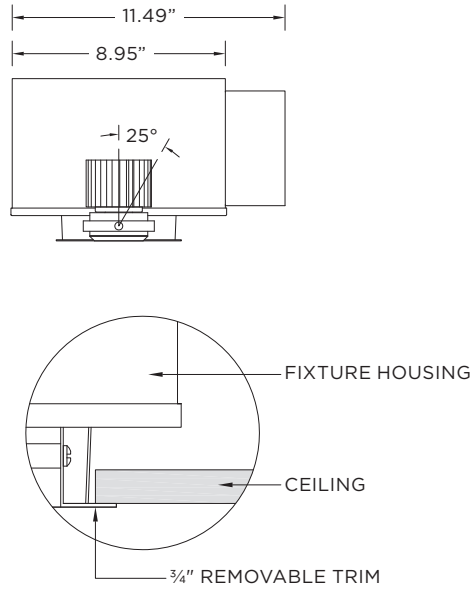
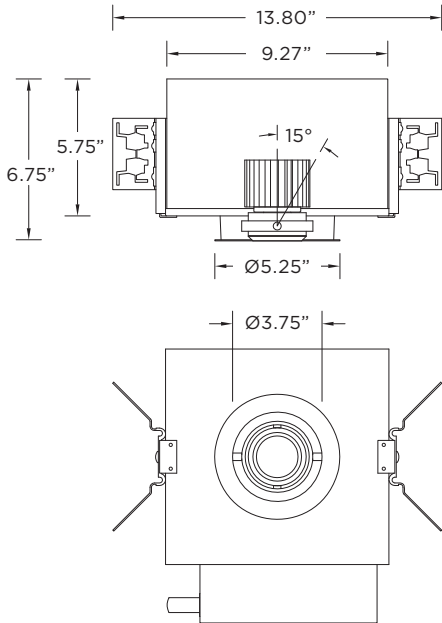
ETL listed and tested to UL standards. Suitable for dry and damp locations

WARRANTY

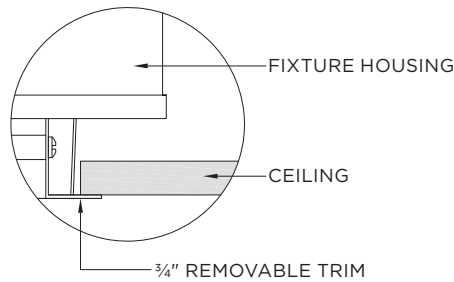
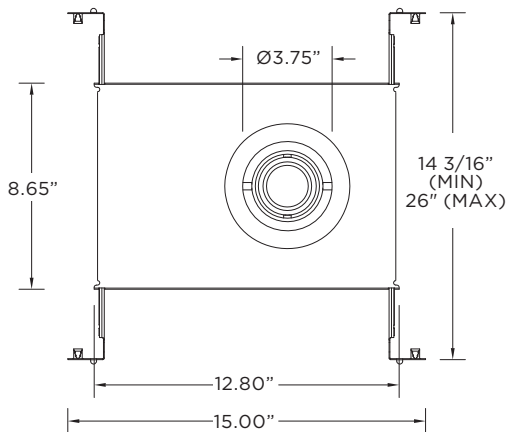
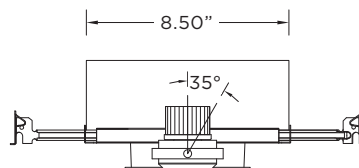
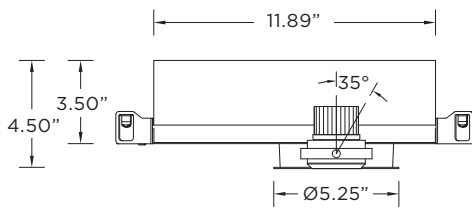
5 Year warranty on LED and drivers
Manufacturer 1-year warranty for defects in material and workmanship under normal use
Ambient temperature at fixture should not exceed 25°C

TRIM HOUSING OPTIONS

- NC** - New Construction (Non-IC)
- IC** - IC Housing
- CP** - Chicago Plenum Housing

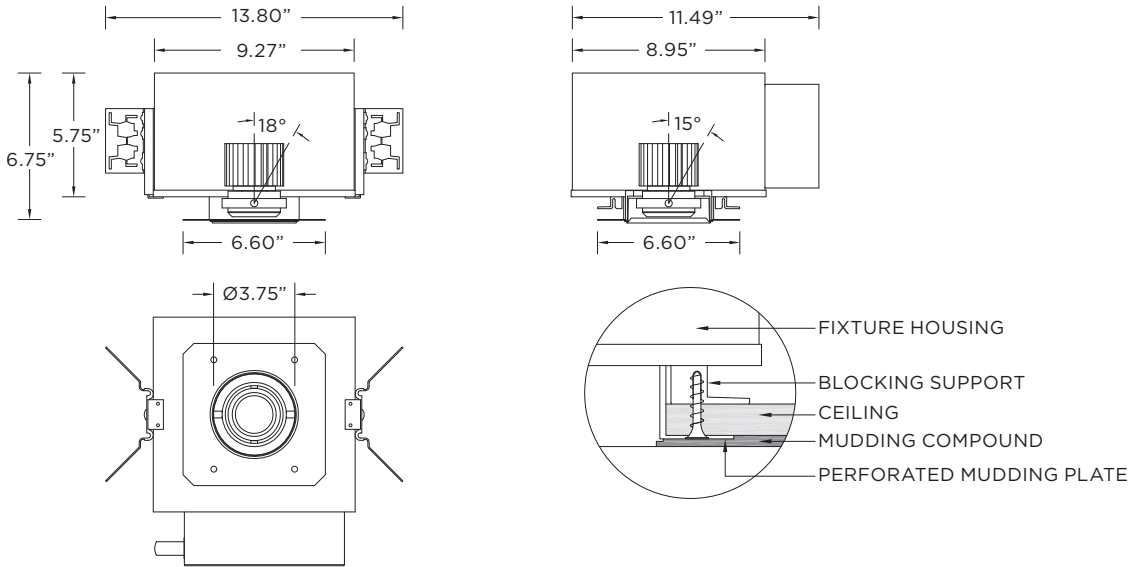


SH - Shallow Housing (IC rated)



TRIMLESS HOUSING OPTIONS

- NC** - New Construction (Non-IC)
- IC** - IC Housing
- CP** - Chicago Plenum Housing



SH - Shallow Housing (IC rated)

