



## 3G-RC1-5RD

5" ROUND MADISON  
TRIM & TRIMLESS



New construction, shallow housing, and IC housing options available  
 Machined aluminum insert with seamless ceiling integration  
 Trim fixture designed to conceal internal hardware  
 Machined aluminum double gimbal. Adjustable and lockable  
 Regressed LED source for enhanced glare control  
 Lumen range of 1000lm to 5000lm (80+, 90+, and 97+ CRI options)  
 1% dimming standard with several integral driver options

### ORDERING INFORMATION

<b>PROJECT:</b>	<input type="text"/>	<b>TYPE:</b>	<input type="text"/>
<b>CATALOG #:</b>	<input type="text"/>	<b>DATE:</b>	<input type="text"/>

CAT. NO	LUMEN OUTPUT	CRI	COLOR TEMP	BEAM ANGLE	VOLTAGE	DRIVER
<b>3G-RC1-5RD</b>	<b>10</b> - 1000 LUMENS	<b>S80</b> - 80+CRI (STANDARD)	<b>27K</b> - 2700K	<b>20D</b> - 20°	<b>120</b> - 120V <sup>3</sup>	<b>DIM</b> - 0-10V (STANDARD 100-1%) <b>DHL2</b> - LUTRON (ECO SYSTEM "H" 100-1%) <b>DALI</b> - DALI (100-1%) <b>LE</b> - PHASE DIMMING <sup>3</sup> (TRIAC/ELV, 100-1%, 120V ONLY) <b>D01</b> - 0-10V (100-0.1%) <b>DMX</b> - DMX (100-0%)
	<b>15</b> - 1500 LUMENS		<b>30K</b> - 3000K	<b>40D</b> - 40°		
	<b>22</b> - 2200 LUMENS	<b>H90</b> - 90+ CRI <sup>1</sup> <b>H97</b> - 97+ CRI <sup>2</sup>	<b>35K</b> - 3500K	<b>60D</b> - 60°	<b>347</b> - 347V (0-10V ONLY)	
	<b>30</b> - 3000 LUMENS		<b>40K</b> - 4000K			
	<b>40</b> - 4000 LUMENS					
<b>50</b> - 5000 LUMENS						

FLANGE TYPE	GIMBAL FINISH	HOUSING INTERIOR	HOUSING TYPE	OPTIONS
<b>WT</b> - WHITE (STANDARD) <b>ST</b> - SILVER <b>BT</b> - BLACK <b>CT</b> - CUSTOM <b>XTR</b> - TRIMLESS	<b>NG</b> - NATURAL ALUMINUM (STANDARD) <b>BG</b> - BLACK <b>WG</b> - WHITE	<b>BK</b> - BLACK (STANDARD)	<b>NC</b> - NEW CONSTRUCTION (NON-IC) <b>IC</b> - IC HOUSING <sup>4</sup> <b>CP</b> - CHICAGO PLENUM <b>SH</b> - SHALLOW HOUSING <sup>5</sup> (IC RATED - BLACK ONLY) <b>ATSH</b> - SHALLOW HOUSING <sup>5</sup> (AIRTIGHT - BLACK ONLY)	<b>BH</b> - BAR HANGERS <b>SF70</b> - SOFTENING LENS <b>LS70</b> - LINEAR SPREAD <b>HXB70</b> - BLACK HEXCELL LOUVER <b>EM</b> - EMERGENCY BATTERY <sup>6</sup>  <small>Maximum 3 optical accessories See optical accessories page for more options</small>

<sup>1</sup> 90+ CRI available up to 4000lm  
<sup>2</sup> 97+ CRI available up to 3000lm  
<sup>3</sup> Forward phase/Reverse phase driver available up to 2200lm and only in 120V  
<sup>4</sup> IC Housing available up to 2200lm  
<sup>5</sup> IC Rated Shallow Housing and Airtight Shallow Housing available up to 2200lm. Black interior only  
<sup>6</sup> Emergency battery installed remotely by others. Not accessible through the inside of the fixture

### PERFORMANCE CHART (Per fixture head)

80+ CRI (Based on 35K and 40° Beam Angle)				90+ CRI (Based on 35K and 40° Beam Angle)				97+ CRI (Based on 35K and 40° Beam Angle)			
LUMEN OUTPUT	SYSTEM WATTS	DELIVERED LUMENS	EFFICACY LM/W	LUMEN OUTPUT	SYSTEM WATTS	DELIVERED LUMENS	EFFICACY LM/W	LUMEN OUTPUT	SYSTEM WATTS	DELIVERED LUMENS	EFFICACY LM/W
1000 LUMENS	10.0	921	91.8	1000 LUMENS	10.0	788	78.6	1000 LUMENS	10.0	692	69.0
1500 LUMENS	14.0	1289	91.8	1500 LUMENS	16.0	1261	78.6	1500 LUMENS	16.0	1107	69.0
2200 LUMENS	20.7	1896	91.8	2200 LUMENS	24.8	1948	78.6	2200 LUMENS	24.8	1710	69.0
3000 LUMENS	32.9	2578	78.3	3000 LUMENS	32.9	2252	68.4	3000 LUMENS	32.9	2035	61.8
4000 LUMENS	44.6	3345	75.0	4000 LUMENS	44.6	2944	66.0	4000 LUMENS	N/A	N/A	N/A
5000 LUMENS	54.2	3932	72.6	5000 LUMENS	N/A	N/A	N/A	5000 LUMENS	N/A	N/A	N/A

EDITION 01/19



**TECHNICAL****HOUSING**

New construction, shallow housing and IC housing options available  
Housing fabricated in cold rolled steel. Standard black powder coated finish  
Maximum ceiling thickness of 1". Consult factory for modifications  
All housing options designed to be easily converted in field to trim or trimless with minimal components  
Housings are rated for #12 AWG, (4 in, 4 out), 90°C conductors and through branch wiring

**TRIM**

Features a 3/4" removable trim assembly designed to conceal inner hardware

**TRIMLESS**

Mudding flange with integral blocking support  
Machined aluminum insert with seamless ceiling integration

**ADJUSTABILITY**

Solid aluminum double gimbal with dual axis adjustability  
Each double gimbal can be locked in place

**OPTICS**

Regressed LED source for enhanced glare control  
Proprietary anodized, aluminum reflectors are field replaceable  
Available in 20°, 40°, and 60°

**ELECTRICAL**

Standard 0-10V, 100-1% dimming and 0.9 power factor  
Lutron EcoSystem and eldoLED Dali options available with 100-1% dimming  
120V Forward Phase/Reverse Phase driver option with 100-1% dimming  
Fixture is pre-wired, thermally protected, and rated for through branch wiring  
Electrical enclosures easily accessible through fixture aperture  
Emergency Battery: 90 minutes

**LED SYSTEM**

Citizen LED module (field replaceable)  
Color consistency < 2 SDCM  
Standard (80+CRI). Optional (90+ and 97+CRI)  
Available in 27K, 30K, 35K, and 40K  
Average rated life of > 50,000 hours  
5-year warranty

**MOUNTING**

Trim fixture designed for use in drywall, wood, acoustic ceiling tiles, and other architectural ceiling materials  
Trimless fixture designed for use in drywall, mud-in ceiling applications  
Butterfly brackets compatible with 1/2" x 1/2" channel, 1/2", 5/8", 3/4" bar hanger, 1/2" EMT, and furring strips (supplied by others)

**LISTING**

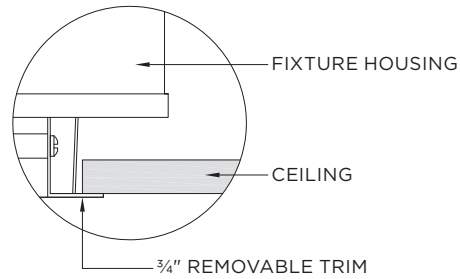
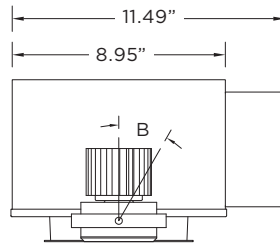
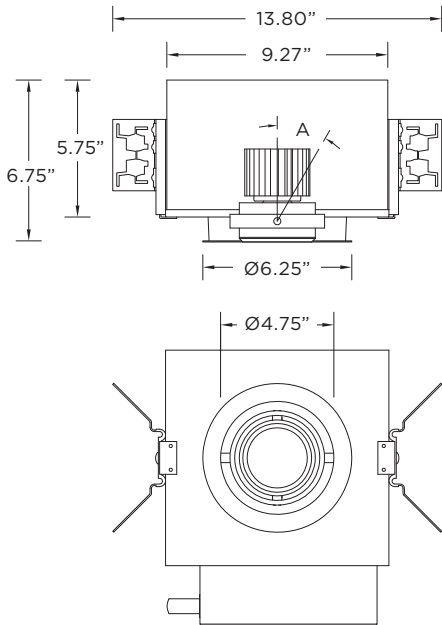
ETL listed and tested to UL standards. Suitable for dry and damp locations

**WARRANTY**

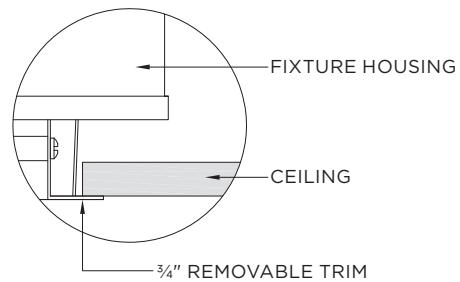
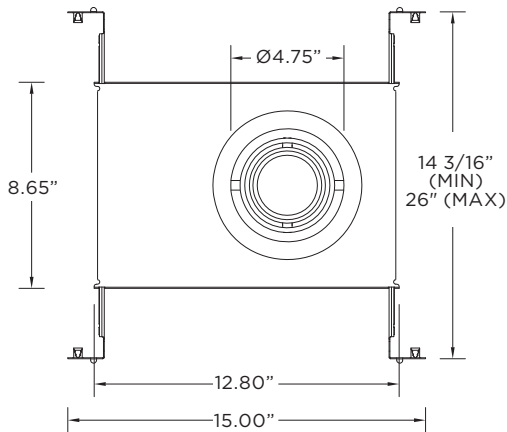
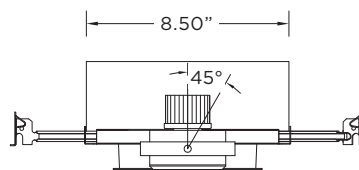
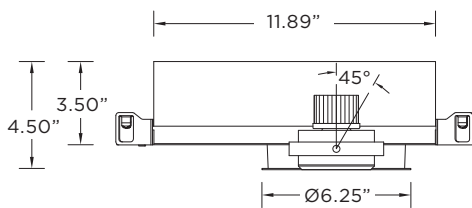
5 Year warranty on LED and drivers  
Manufacturer 1-year warranty for defects in material and workmanship under normal use  
Ambient temperature at fixture should not exceed 25°C

### TRIM HOUSING OPTIONS

- NC** - New Construction (Non-IC)
- IC** - IC Housing (2200lm max)
- CP** - Chicago Plenum Housing

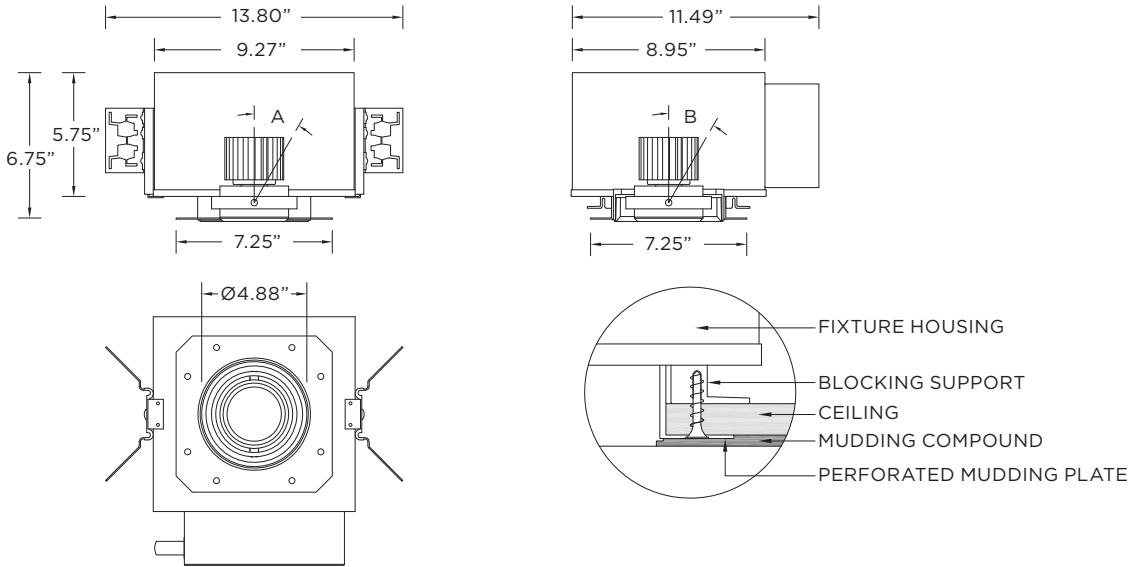


### SH - Shallow Housing (IC rated) (2200lm max)



### TRIMLESS HOUSING OPTIONS

- NC** - New Construction (Non-IC)
- IC** - IC Housing (2200lm max)
- CP** - Chicago Plenum Housing



### SH - Shallow Housing (IC rated) (2200lm max)

