



## 3G-DL40SF

4.0" SQUARE FIXED  
TRIM & TRIMLESS



- 4.0" high performance downlight
- Regressed LED source for enhanced glare control
- Lumen range of 1000lm to 4000lm (80+, 90+, and 97+ CRI options)
- Wet location option available
- Remodel housing available along with other housing options
- 1% dimming standard with several driver options

### ORDERING INFORMATION

<b>PROJECT:</b>	<input type="text"/>	<b>TYPE:</b>	<input type="text"/>
<b>CATALOG #:</b>	<input type="text"/>	<b>DATE:</b>	<input type="text"/>

CAT. NO	LUMEN OUTPUT	CRI	COLOR TEMP	BEAM ANGLE	VOLTAGE
<b>3G-DL40SF</b>	<b>10</b> - 1000 LUMENS	<b>S80</b> - 80+CRI (STANDARD)	<b>27K</b> - 2700K	<b>20D</b> - 20°	<b>120</b> - 120V <sup>2</sup>
	<b>15</b> - 1500 LUMENS	<b>H90</b> - 90+CRI	<b>30K</b> - 3000K	<b>40D</b> - 40°	<b>277</b> - 277V
	<b>22</b> - 2200 LUMENS	<b>H97</b> - 97+CRI <sup>1</sup>	<b>35K</b> - 3500K	<b>60D</b> - 60°	<b>347</b> - 347V (0-10V ONLY)
	<b>30</b> - 3000 LUMENS		<b>40K</b> - 4000K		
	<b>40</b> - 4000 LUMENS				

DRIVER	FLANGE TYPE	BEVELED INSERT	HOUSING TYPE	OPTIONS
<b>DIM</b> - 0-10V (STANDARD 100-1%)	<b>WT</b> - WHITE	<b>WI</b> - WHITE	<b>RMD</b> - REMODEL (NON-IC)	<b>WL</b> - WET LOCATION
<b>DHL2</b> - LUTRON (ECO SYSTEM "H" 100-1%)	<b>ST</b> - SILVER	<b>SI</b> - SILVER	<b>NCF</b> - NEW CONSTRUCTION FRAME (NON-IC)	<b>BH</b> - BAR HANGERS
<b>DALI</b> - DALI (100-1%)	<b>BT</b> - BLACK	<b>BI</b> - BLACK	<b>SH</b> - IC RATED SHALLOW <sup>3</sup> HOUSING	<b>SB70</b> - SANDBLASTED LENS
<b>LE</b> - PHASE DIMMING <sup>2</sup> (TRIAC/ELV, 100-1%, 120V ONLY)	<b>XTR</b> - TRIMLESS		<b>ATSH</b> - AIRTIGHT SHALLOW <sup>3</sup> HOUSING (CP RATED)	<b>SF70</b> - SOFTENING LENS
<b>D01</b> - 0-10V (100-0.1%)			<b>CP</b> - CHICAGO PLENUM	<b>LS70</b> - LINEAR SPREAD
				<b>EM</b> - EMERGENCY BATTERY <sup>4</sup>

Maximum 1 optical accessory

<sup>1</sup> 97+ CRI available up to 2200lm  
<sup>2</sup> Forward phase/Reverse phase driver available up to 2200lm and only in 120V  
<sup>3</sup> IC rated Shallow Housing and Airtight Shallow Housing available up to 2200lm  
<sup>4</sup> Emergency battery installed remotely by others. Not accessible through the inside of the fixture

### PERFORMANCE CHART

80+ CRI (Based on 35K and 40° Beam Angle)				90+ CRI (Based on 35K and 40° Beam Angle)				97+ CRI (Based on 35K and 40° Beam Angle)			
LUMEN OUTPUT	SYSTEM WATTS	DELIVERED LUMENS	EFFICACY LM/W	LUMEN OUTPUT	SYSTEM WATTS	DELIVERED LUMENS	EFFICACY LM/W	LUMEN OUTPUT	SYSTEM WATTS	DELIVERED LUMENS	EFFICACY LM/W
1000 LUMENS	10.0	1027	102.4	1000 LUMENS	10.0	880	87.7	1000 LUMENS	10.0	772	77.0
1500 LUMENS	14.0	1438	102.4	1500 LUMENS	16.0	1407	87.7	1500 LUMENS	16.0	1236	77.0
2200 LUMENS	20.7	2115	102.4	2200 LUMENS	24.8	2173	87.7	2200 LUMENS	24.8	1908	77.0
3000 LUMENS	32.9	2976	90.4	3000 LUMENS	29.7	2329	78.3	3000 LUMENS	N/A	N/A	N/A

LUMEN OUTPUT ADJUSTMENT FACTORS: (27K=0.945) (30K=0.985) (35K=1.00) (40K=1.01)

EDITION 01/19



**TECHNICAL****HOUSING**

Remodel, new construction, IC housing, and shallow housing options available  
Maximum ceiling thickness of 1". Consult factory for modifications  
All housing options designed to be easily converted in field to trim or trimless with minimal components  
Housings are rated for #12 AWG, (4 in, 4 out), 90°C conductors and through branch wiring

**BEVELED INSERT**

4.0" aperture with regressed LED source for enhanced glare control  
Machined aluminum beveled insert with powder coated finish

**TRIM**

Machined aluminum trim flange with powder coated finish and minimal 0.375" overlap

**TRIMLESS**

Mudding flange with integral blocking support installs flush with ceiling

**OPTICS**

Proprietary anodized, aluminum reflectors are field replaceable  
Available in 20°, 40°, and 60°

**ELECTRICAL**

Standard 0-10V, 100-1% dimming and 0.9 power factor  
Lutron EcoSystem and eldoLED Dali options available with 100-1% dimming  
120V Forward Phase/Reverse Phase driver option with 100-1% dimming  
All drivers are integral and easily accessible through the aperture  
Emergency Battery: 90 minutes

**LED SYSTEM**

Citizen LED module (field replaceable)  
Color consistency < 2 SDCM  
Standard (80+CRI). Optional (90+ and 97+CRI)  
Available in 27K, 30K, 35K, and 40K  
Average rated life of > 50,000 hours  
5-year warranty

**MOUNTING**

Trim fixture designed for use in drywall, wood, acoustic ceiling tiles, and other ceiling materials  
Trimless fixture designed for use in drywall, mud-in ceiling applications  
Recommended ceiling cut-out: (4 5/8"x4 5/8") All housing options  
Adjustable bar hangers extend from 14" to 26" and can be cut in-field for narrow stud spacing  
Optional C-channel bar hangers provided for IC housing and Chicago plenum housing options

**LISTING**

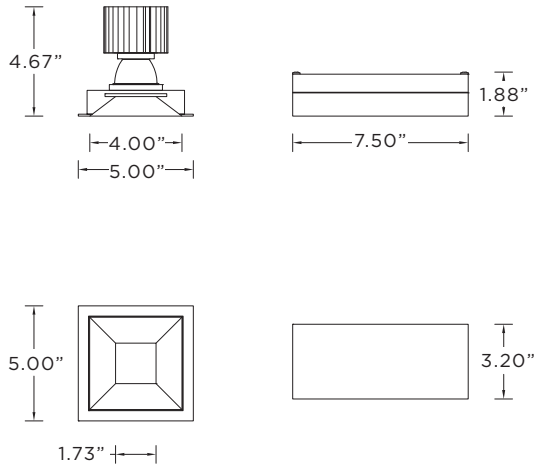
ETL listed and tested to UL standards. Suitable for dry, damp, and wet locations

**WARRANTY**

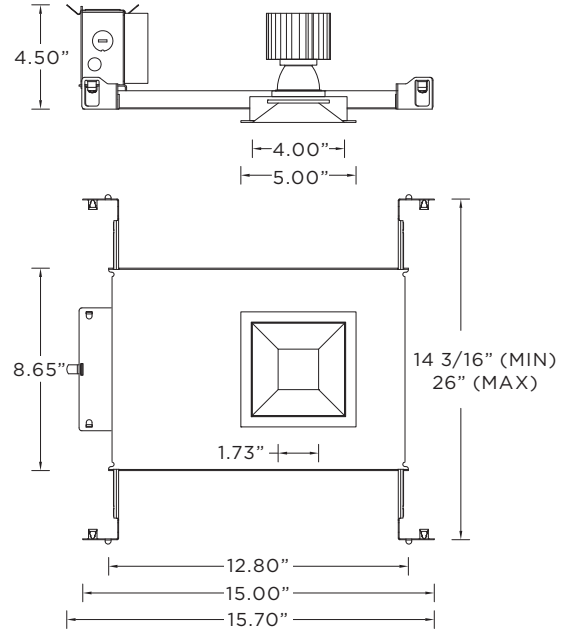
5 Year warranty on LED and drivers  
Manufacturer 1-year warranty for defects in material and workmanship under normal use  
Ambient temperature at fixture should not exceed 25°C

**TRIM HOUSING OPTIONS**

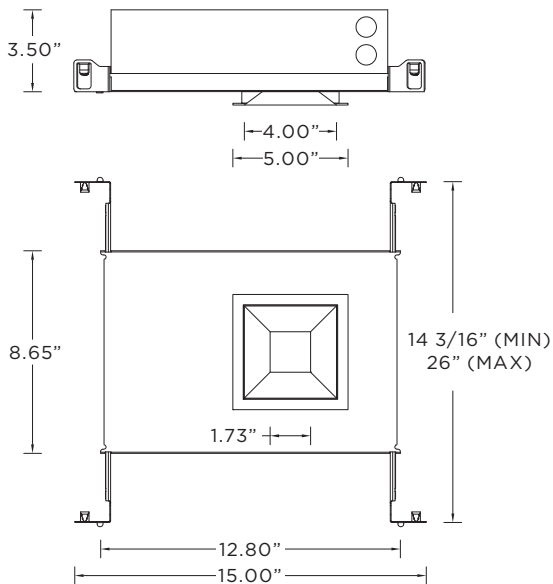
**RMD - Remodel (Non-IC)**



**NCF - New Construction Frame (Non-IC)**

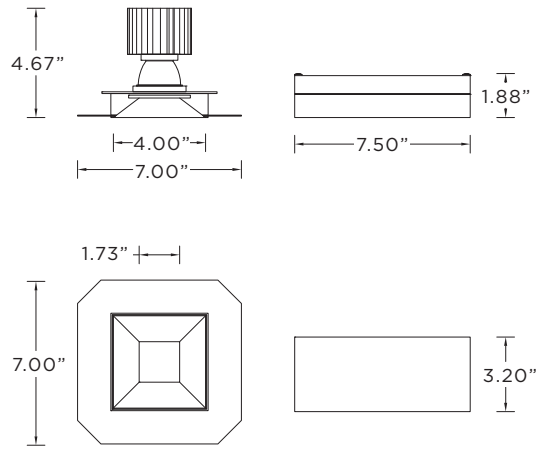


- SH** - IC Rated Shallow Housing (2200lm max)
- ATSH** - Airtight Shallow Housing (2200lm max)
- CP** - Chicago Plenum Housing (2200lm max)

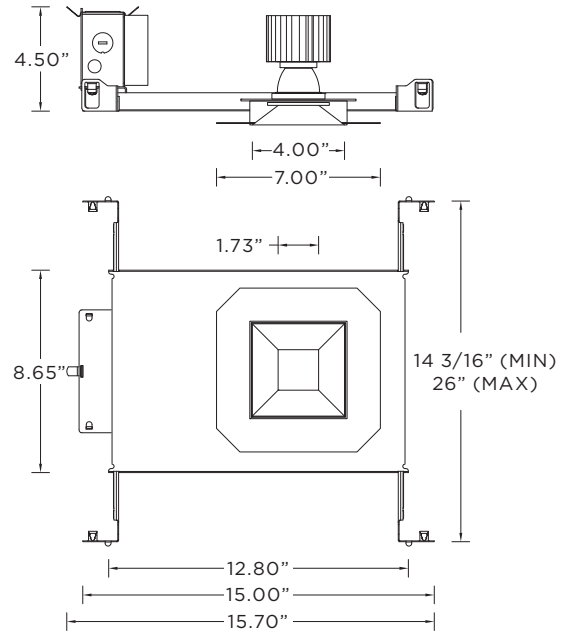


**TRIMLESS HOUSING OPTIONS**

**RMD - Remodel (Non-IC)**



**NCF - New Construction Frame (Non-IC)**



- SH** - IC Rated Shallow Housing (2200lm max)
- ATSH** - Airtight Shallow Housing (2200lm max)
- CP** - Chicago Plenum Housing (2200lm max)

