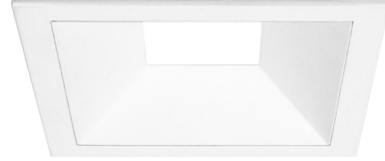




## 3G-DL40SA

4.0" SQUARE ADJUSTABLE  
TRIM & TRIMLESS



4.0" adjustable high performance downlight  
Hot aiming with 0°-40° lockable tilt and 362° lockable rotation  
Regressed LED source for enhanced glare control  
Lumen range of 1000lm to 4000lm (80+, 90+, and 97+ CRI options)  
Remodel housing available along with other housing options  
1% dimming standard with several driver options

### ORDERING INFORMATION

<b>PROJECT:</b>	<input type="text"/>	<b>TYPE:</b>	<input type="text"/>
<b>CATALOG #:</b>	<input type="text"/>	<b>DATE:</b>	<input type="text"/>

CAT. NO	LUMEN OUTPUT	CRI	COLOR TEMP	BEAM ANGLE	VOLTAGE
<b>3G-DL40SA</b>	<b>10</b> - 1000 LUMENS	<b>S80</b> - 80+CRI (STANDARD)	<b>27K</b> - 2700K	<b>40D</b> - 40°	<b>120</b> - 120V <sup>2</sup>
	<b>15</b> - 1500 LUMENS	<b>H90</b> - 90+CRI <sup>1</sup>	<b>30K</b> - 3000K	<b>60D</b> - 60°	<b>277</b> - 277V
	<b>22</b> - 2200 LUMENS	<b>H97</b> - 97+CRI <sup>1</sup>	<b>35K</b> - 3500K		<b>347</b> - 347V (0-10V ONLY)
	<b>30</b> - 3000 LUMENS		<b>40K</b> - 4000K		
	<b>40</b> - 4000 LUMENS				

DRIVER	FLANGE TYPE	BEVELED INSERT	HOUSING TYPE	OPTIONS
<b>DIM</b> - 0-10V (STANDARD 100-1%)	<b>WT</b> - WHITE	<b>WI</b> - WHITE	<b>RMD</b> - REMODEL (NON-IC)	<b>BH</b> - C-CHANNEL BAR HANGERS
<b>DHL2</b> - LUTRON (ECO SYSTEM "H" 100-1%)	<b>BT</b> - BLACK	<b>SI</b> - SILVER	<b>NCF</b> - NEW CONSTRUCTION FRAME (NON-IC)	<b>SB70</b> - SANDBLASTED LENS
<b>DALI</b> - DALI (100-1%)	<b>XTR</b> - TRIMLESS	<b>BI</b> - BLACK	<b>NC</b> - NEW CONSTRUCTION HOUSING (NON-IC)	<b>SF70</b> - SOFTENING LENS
<b>LE</b> - PHASE DIMMING <sup>2</sup> (TRIAC/ELV, 100-1%, 120V ONLY)			<b>IC</b> - IC HOUSING <sup>3</sup>	<b>LS70</b> - LINEAR SPREAD
<b>DO1</b> - 0-10V (100-0.1%)			<b>CP</b> - CHICAGO PLENUM	<b>EM</b> - EMERGENCY BATTERY <sup>4</sup>
				Maximum 1 optical accessory

<sup>1</sup> 90+ CRI and 97+ CRI available up to 3000lm  
<sup>2</sup> Forward phase/Reverse phase driver available up to 2200lm and only in 120V  
<sup>3</sup> IC Housing available up to 2200lm  
<sup>4</sup> Emergency battery installed remotely by others. Not accessible through the inside of the fixture

### PERFORMANCE CHART

**80+ CRI** (Based on 35K and 60° Beam Angle)

LUMEN OUTPUT	SYSTEM WATTS	DELIVERED LUMENS	EFFICACY LM/W
1000 LUMENS	10.0	869	86.6
1500 LUMENS	16.0	1390	86.6
2200 LUMENS	24.8	2146	86.6
3000 LUMENS	32.9	2441	74.2
4000 LUMENS	51.0	3319	65.1

**90+ CRI** (Based on 35K and 60° Beam Angle)

LUMEN OUTPUT	SYSTEM WATTS	DELIVERED LUMENS	EFFICACY LM/W
1000 LUMENS	14.0	1041	74.2
1500 LUMENS	20.1	1488	74.2
2200 LUMENS	27.9	2077	74.2
3000 LUMENS	37.2	2420	65.1
4000 LUMENS	N/A	N/A	N/A

**97+ CRI** (Based on 35K and 60° Beam Angle)

LUMEN OUTPUT	SYSTEM WATTS	DELIVERED LUMENS	EFFICACY LM/W
1000 LUMENS	14.0	914	65.1
1500 LUMENS	20.1	1306	65.1
2200 LUMENS	27.9	1815	65.1
3000 LUMENS	37.2	2167	58.3
4000 LUMENS	N/A	N/A	N/A

**PRELIMINARY**

LUMEN OUTPUT ADJUSTMENT FACTORS: (27K=0.945) (30K=0.985) (35K=1.00) (40K=1.01)

EDITION 02/19



**TECHNICAL****HOUSING**

Remodel, new construction, and IC housing options available

Maximum ceiling thickness of 1". Consult factory for modifications

All housing options designed to be easily converted in field to trim or trimless with minimal components

Housings are rated for #12 AWG, (4 in, 4 out), 90°C conductors and through branch wiring

**BEVELED INSERT**

4.0" aperture with regressed LED source for enhanced glare control

Machined aluminum beveled insert with powder coated finish

**TRIM**

Machined aluminum trim flange with powder coated finish and minimal 0.375" overlap

**TRIMLESS**

Mudding flange with integral blocking support installs flush with ceiling

**ADJUSTABILITY**

Proprietary hot-aiming mechanism with sliding center beam optimization

0°-40° lockable tilt and 362° lockable rotation with Phillips screwdriver

**OPTICS**

Proprietary anodized, aluminum reflectors are field replaceable

Available in 40° and 60°

**ELECTRICAL**

Standard 0-10V, 100-1% dimming and 0.9 power factor

Lutron EcoSystem and eldoLED Dali options available with 100-1% dimming

120V Forward Phase/Reverse Phase driver option with 100-1% dimming

All drivers are integral and easily accessible through the aperture

Emergency Battery: 90 minutes (remote only)

**LED SYSTEM**

Citizen LED module (field replaceable)

Color consistency < 2 SDCM

Standard (80+CRI). Optional (90+ and 97+CRI)

Available in 27K, 30K, 35K, and 40K

Average rated life of > 50,000 hours

5-year warranty

**MOUNTING**

Trim fixture designed for use in drywall, wood, acoustic ceiling tiles, and other ceiling materials

Trimless fixture designed for use in drywall, mud-in ceiling applications

Recommended ceiling cut-out: (4 5/8" x 4 5/8") All housing options

New construction frame ships standard with adjustable bar hangers

Bar hangers extend from 14" to 26" and can be cut in-field for narrow stud spacing

Optional C-channel bar hangers available for new construction, Chicago Plenum, and IC housing options

**LISTING**

ETL listed and tested to UL standards. Suitable for dry and damp locations

**WARRANTY**

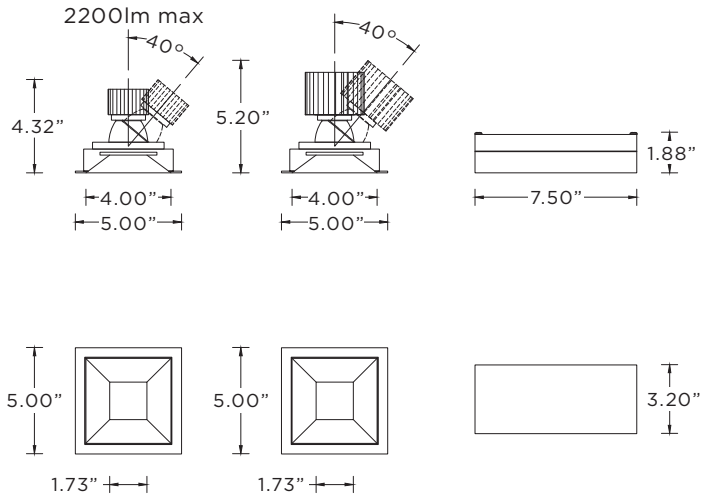
5 Year warranty on LED and drivers

Manufacturer 1-year warranty for defects in material and workmanship under normal use

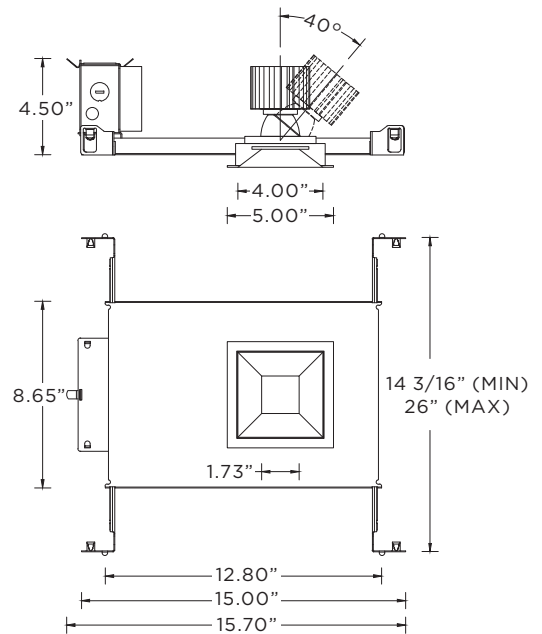
Ambient temperature at fixture should not exceed 25°C

**TRIM HOUSING OPTIONS**

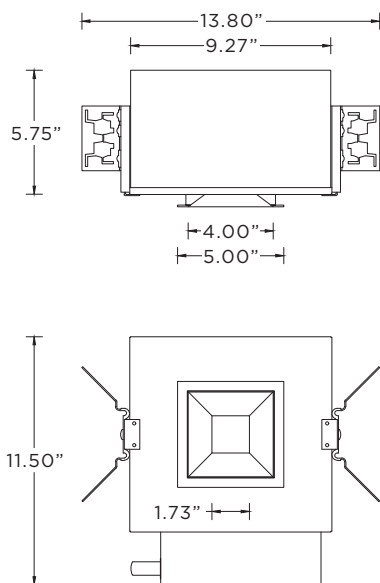
**RMD - Remodel (Non-IC) (4000lm max)**



**NCF - New Construction Frame (Non-IC) (4000lm max)**

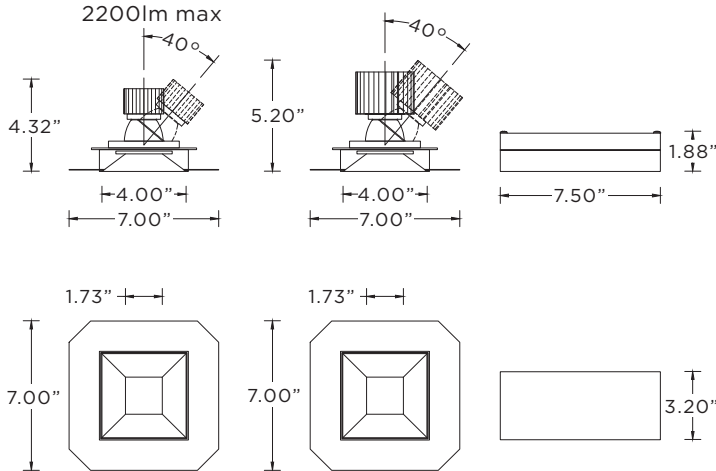


- NC - New Construction Housing (4000lm max)**
- CP - Chicago Plenum Housing (4000lm max)**
- IC - IC Housing (2200lm max)**

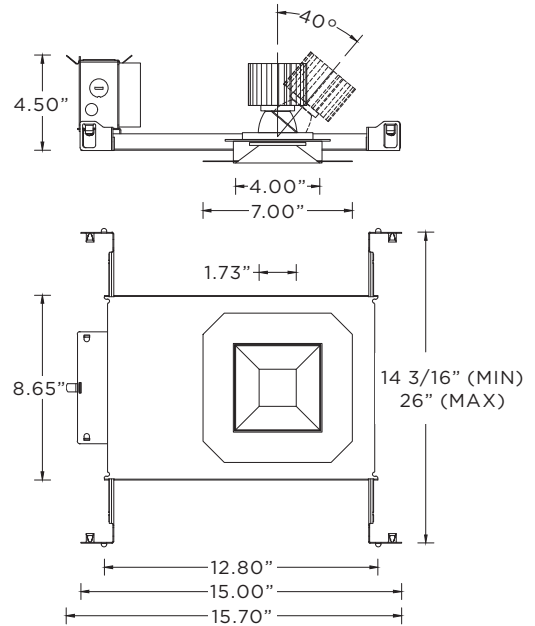


**TRIMLESS HOUSING OPTIONS**

**RMD - Remodel (Non-IC) (4000lm max)**



**NCF - New Construction Frame (Non-IC) (4000lm max)**



- NC - New Construction Housing (4000lm max)**
- CP - Chicago Plenum Housing (4000lm max)**
- IC - IC Housing (2200lm max)**

