

3G LIGHTING

3G-DL33RF7

3.3" ROUND FIXED
TRIMLESS



Small 3.3" high performance downlight
 Regressed LED source for enhanced glare control
 Lumen range of 1000lm to 3000lm with 80+, 90+, and 97+ CRI options
 Shallow housing available along with other housing options
 1% dimming standard with several driver options

ORDERING INFORMATION

PROJECT:	<input type="text"/>	TYPE:	<input type="text"/>
CATALOG #:	<input type="text"/>	DATE:	<input type="text"/>

CAT. NO	LUMEN OUTPUT	CRI	COLOR TEMP	BEAM ANGLE	VOLTAGE
3G-DL33RF7	10 - 1000 LUMENS	S80 - 80+CRI (STANDARD)	27K - 2700K	20D - 20°	120 - 120V
	15 - 1500 LUMENS	H90 - 90+CRI	30K - 3000K	40D - 40°	277 - 277V
	22 - 2200 LUMENS	H97 - 97+CRI ¹	35K - 3500K	60D - 60°	347 - 347V
	30 - 3000 LUMENS		40K - 4000K		(0-10V ONLY)

DRIVER	TRIMLESS	BEVELED INSERT	HOUSING TYPE	OPTIONS
DIM - 0-10V (STANDARD 100%-1) DHL2 - LUTRON (ECO SYSTEM 100-1%) DALI - DALI (100-1%) LE - FORWARD PHASE (2-WIRE, 100-1%, 120V ONLY) ²	XTR - TRIMLESS	WI - WHITE SI - SILVER BI - BLACK	RMD - REMODEL (NON IC) NC - NEW CONSTRUCTION (NON IC) IC - IC HOUSING ³ CP - CHICAGO PLENUM SH - SHALLOW HOUSING ⁴ ICSH - IC SHALLOW HOUSING ⁴	BH - BAR HANGERS SB70 - SANDBLASTED LENS SF70 - SOFTENING LENS LS70 - LINEAR SPREAD EM - EMERGENCY BATTERY ⁵ MAXIMUM 1 OPTICAL ACCESSORY

¹ 97+ CRI available up to 2200lm.
² Forward phase driver available up to 3000lm and only in 120V
³ IC Housing available up to 2200lm
⁴ Shallow Housing and IC Shallow Housing available up to 2200lm with 80+CRI. Maximum 1500lm with 90+CRI and 97+CRI
⁵ Emergency battery installed remotely by others. Not accessible through the inside of the fixture

PERFORMANCE CHART

80+ CRI (Based on 40° Beam Angle)				90+ CRI (Based on 40° Beam Angle)				97+ CRI (Based on 40° Beam Angle)			
LUMEN OUTPUT	SYSTEM WATTS	DELIVERED LUMENS	EFFICACY LM/W	LUMEN OUTPUT	SYSTEM WATTS	DELIVERED LUMENS	EFFICACY LM/W	LUMEN OUTPUT	SYSTEM WATTS	DELIVERED LUMENS	EFFICACY LM/W
1000 LUMENS	9.8W	910	93	1000 LUMENS	13.7W	1091	80	1000 LUMENS	13.7W	958	70
1500 LUMENS	15.6W	1457	93	1500 LUMENS	19.6W	1369	80	1500 LUMENS	19.6W	1369	70
2200 LUMENS	24.2W	2249	93	2200 LUMENS	26.4W	2105	80	2200 LUMENS	30.3W	2121	70
3000 LUMENS	31.2W	2905	93	3000 LUMENS	31.2W	2487	80	3000 LUMENS	41.4W	2898	70

EDITION 09/18



TECHNICAL**HOUSING**

Remodel, new construction, IC housing, and shallow housing options available
Maximum ceiling thickness of 1". Consult factory for modifications
All housing options designed to be easily converted in field to trim or trimless with minimal components
Housings are rated for #12 AWG, (4 in, 4 out), 90°C conductors and through branch wiring

TRIMLESS

3.3" aperture with regressed LED source for enhanced glare control
Mudding flange with integral blocking support installs flush with ceiling
Machined aluminum beveled insert with powder coated finish

OPTICS

Proprietary anodized, aluminum reflectors are field replaceable
Available in 20°, 40°, and 60°

ELECTRICAL

Standard 0-10V, 100-1% dimming and 0.9 power factor
Lutron EcoSystem and eldoLED Dali options available with 100-1% dimming
120V Leading edge (Forward/Reverse Phase) driver option with 100-1% dimming
All drivers are integral and easily accessible through the aperture
Emergency Battery: 90 minutes

LED SYSTEM

Citizen LED module (field replaceable)
Color consistency < 2 SDCM
Standard (80+CRI). Optional (90+ and 97+CRI)
Available in 27K, 30K, 35K, and 40K
Average rated life of > 50,000 hours
5-year warranty

MOUNTING

Designed for use in drywall, mud-in ceiling applications
Recommended ceiling cut-out: Remodel (3 13/16" Ø) All other housing options (3 13/16" Ø)
Adjustable bar hangers extend from 14" to 26" and can be cut in-field for narrow stud spacing
Optional C-channel bar hangers provided for IC housing and Chicago plenum housing options

LISTING

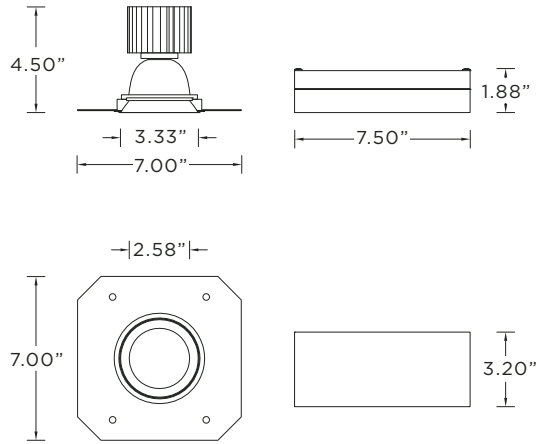
ETL listed and tested to UL standards. Suitable for dry and damp locations

WARRANTY

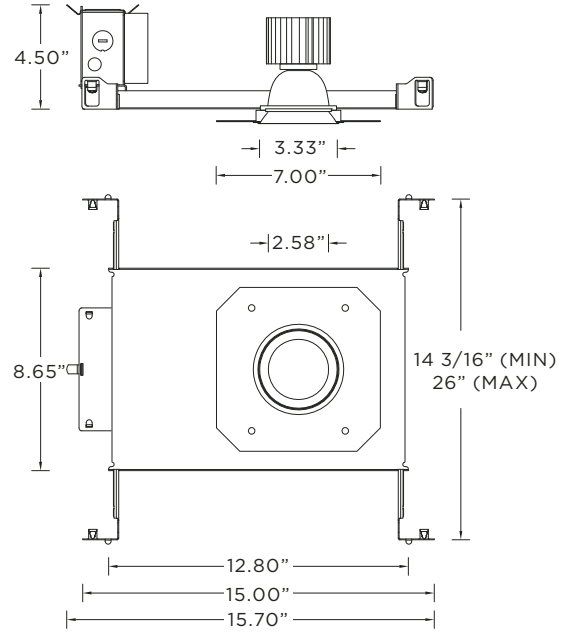
5 Year warranty on LED and drivers
Manufacturer 1-year warranty for defects in material and workmanship under normal use
Ambient temperature at fixture should not exceed 25°C

HOUSING OPTIONS

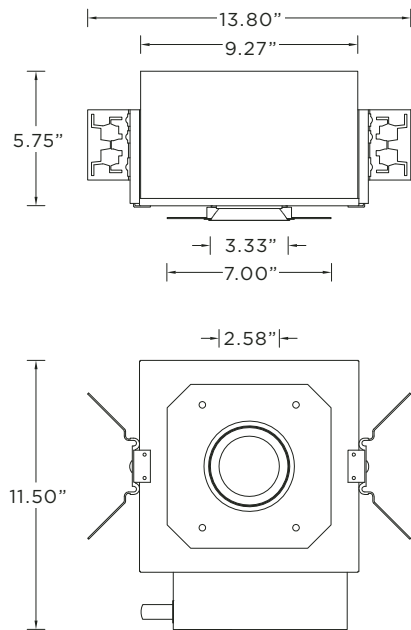
RMD - REMODEL



NC - NEW CONSTRUCTION FRAME (NON-IC)



IC - IC HOUSING (2200LM MAX) CP - CHICAGO PLENUM HOUSING



SH - SHALLOW HOUSING ICSH - IC SHALLOW HOUSING (2200LM - 80+CRI & 1500LM - 90+ & 97+CRI)

