



## 3G-DL33RA

3.3" ROUND ADJUSTABLE  
TRIM & TRIMLESS



3.3" adjustable high performance downlight  
Hot aiming with 0°-40° lockable tilt and 362° lockable rotation  
Regressed LED source for enhanced glare control  
Lumen range of 1000lm to 3000lm (80+, 90+, and 97+ CRI options)  
Shallow housing available along with other housing options  
1% dimming standard with several driver options

### ORDERING INFORMATION

<b>PROJECT:</b>	<input type="text"/>	<b>TYPE:</b>	<input type="text"/>
<b>CATALOG #:</b>	<input type="text"/>	<b>DATE:</b>	<input type="text"/>

CAT. NO	LUMEN OUTPUT	CRI	COLOR TEMP	BEAM ANGLE	VOLTAGE
<b>3G-DL33RA</b>	<b>10</b> - 1000 LUMENS	<b>S80</b> - 80+CRI (STANDARD)	<b>27K</b> - 2700K	<b>20D</b> - 20°	<b>120</b> - 120V <sup>2</sup>
	<b>15</b> - 1500 LUMENS	<b>H90</b> - 90+CRI <sup>1</sup>	<b>30K</b> - 3000K	<b>40D</b> - 40°	<b>277</b> - 277V
	<b>22</b> - 2200 LUMENS	<b>H97</b> - 97+CRI <sup>1</sup>	<b>35K</b> - 3500K	<b>60D</b> - 60°	<b>347</b> - 347V (0-10V ONLY)
	<b>30</b> - 3000 LUMENS		<b>40K</b> - 4000K		

DRIVER	FLANGE TYPE	BEVELED INSERT	HOUSING TYPE	OPTIONS
<b>DIM</b> - 0-10V (STANDARD 100-1%)	<b>WT</b> - WHITE	<b>WI</b> - WHITE	<b>RMD</b> - REMODEL (NON-IC)	<b>BH</b> - BAR HANGERS
<b>DHL2</b> - LUTRON (ECO SYSTEM "H" 100-1%)	<b>ST</b> - SILVER	<b>SI</b> - SILVER	<b>NCF</b> - NEW CONSTRUCTION FRAME (NON-IC)	<b>SB70</b> - SANDBLASTED LENS
<b>DALI</b> - DALI (100-1%)	<b>BT</b> - BLACK	<b>BI</b> - BLACK	<b>SH</b> - IC RATED SHALLOW <sup>3</sup> HOUSING	<b>SF70</b> - SOFTENING LENS
<b>LE</b> - PHASE DIMMING <sup>2</sup> (TRIAC/ELV, 100-1%, 120V ONLY)	<b>XTR</b> - TRIMLESS		<b>ATSH</b> - AIRTIGHT SHALLOW <sup>3</sup> HOUSING (CP RATED)	<b>LS70</b> - LINEAR SPREAD
<b>D01</b> - 0-10V (100-0.1%)			<b>CP</b> - CHICAGO PLENUM	<b>EM</b> - EMERGENCY BATTERY <sup>4</sup>

Maximum 1 optical accessory

<sup>1</sup> 90+ CRI and 97+ CRI available up to 2200lm  
<sup>2</sup> Forward phase/Reverse phase driver available up to 2200lm and only in 120V  
<sup>3</sup> IC rated Shallow Housing and Airtight Shallow Housing available up to 2200lm  
<sup>4</sup> Emergency battery installed remotely by others. Not accessible through the inside of the fixture

### PERFORMANCE CHART

**80+ CRI** (Based on 35K and 60° Beam Angle)

LUMEN OUTPUT	SYSTEM WATTS	DELIVERED LUMENS	EFFICACY LM/W
1000 LUMENS	10.0	822	81.9
1500 LUMENS	16.0	1315	81.9
2200 LUMENS	24.8	2031	81.9
3000 LUMENS	32.9	2380	72.3

**90+ CRI** (Based on 35K and 60° Beam Angle)

LUMEN OUTPUT	SYSTEM WATTS	DELIVERED LUMENS	EFFICACY LM/W
1000 LUMENS	14.0	985	70.2
1500 LUMENS	20.1	1407	70.2
2200 LUMENS	27.9	1956	70.2
3000 LUMENS	N/A	N/A	N/A

**97+ CRI** (Based on 35K and 60° Beam Angle)

LUMEN OUTPUT	SYSTEM WATTS	DELIVERED LUMENS	EFFICACY LM/W
1000 LUMENS	14.0	865	61.6
1500 LUMENS	20.1	1236	61.6
2200 LUMENS	28.9	1781	61.6
3000 LUMENS	N/A	N/A	N/A

LUMEN OUTPUT ADJUSTMENT FACTORS: (27K=0.945) (30K=0.985) (35K=1.00) (40K=1.01)

EDITION 01/19



**TECHNICAL****HOUSING**

Remodel, new construction, IC housing, and Shallow housing options available

Maximum ceiling thickness of 1". Consult factory for modifications

All housing options designed to be easily converted in field to trim or trimless with minimal components

Housings are rated for #12 AWG, (4 in, 4 out), 90°C conductors and through branch wiring

**BEVELED INSERT**

3.3" aperture with regressed LED source for enhanced glare control

Machined aluminum beveled insert with powder coated finish

**TRIM**

Machined aluminum trim flange with powder coated finish and minimal 0.375" overlap

**TRIMLESS**

Mudding flange with integral blocking support installs flush with ceiling

**ADJUSTABILITY**

Proprietary hot-aiming mechanism with sliding center beam optimization

0°-40° lockable tilt and 362° lockable rotation with Phillips screwdriver

**OPTICS**

Proprietary anodized, aluminum reflectors are field replaceable

Available in 20°, 40°, and 60°

**ELECTRICAL**

Standard 0-10V, 100-1% dimming and 0.9 power factor

Lutron EcoSystem and eldoLED Dali options available with 100-1% dimming

120V Forward Phase/Reverse Phase driver option with 100-1% dimming

All drivers are integral and easily accessible through the aperture

Emergency Battery: 90 minutes

**LED SYSTEM**

Citizen LED module (field replaceable)

Color consistency < 2 SDCM

Standard (80+CRI). Optional (90+ and 97+CRI)

Available in 27K, 30K, 35K, and 40K

Average rated life of > 50,000 hours

5-year warranty

**MOUNTING**

Trim fixture designed for use in drywall, wood, acoustic ceiling tiles, and other ceiling materials

Trimless fixture designed for use in drywall, mud-in ceiling applications

Recommended ceiling cut-out: Remodel (3 13/16" Ø) All other housing options (3 13/16" Ø)

Adjustable bar hangers extend from 14" to 26" and can be cut in-field for narrow stud spacing

Optional C-channel bar hangers provided for IC housing and Chicago plenum housing options

**LISTING**

ETL listed and tested to UL standards. Suitable for dry and damp locations

**WARRANTY**

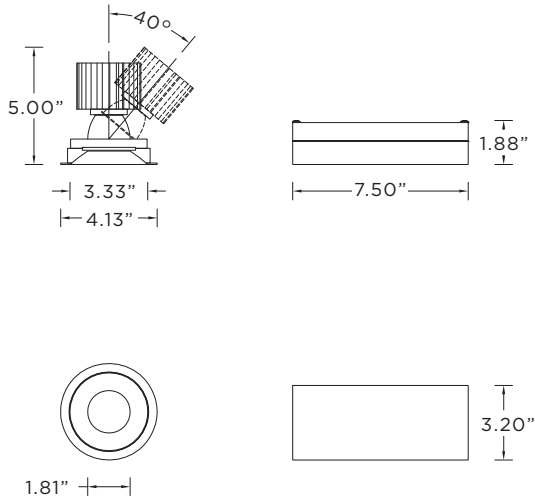
5 Year warranty on LED and drivers

Manufacturer 1-year warranty for defects in material and workmanship under normal use

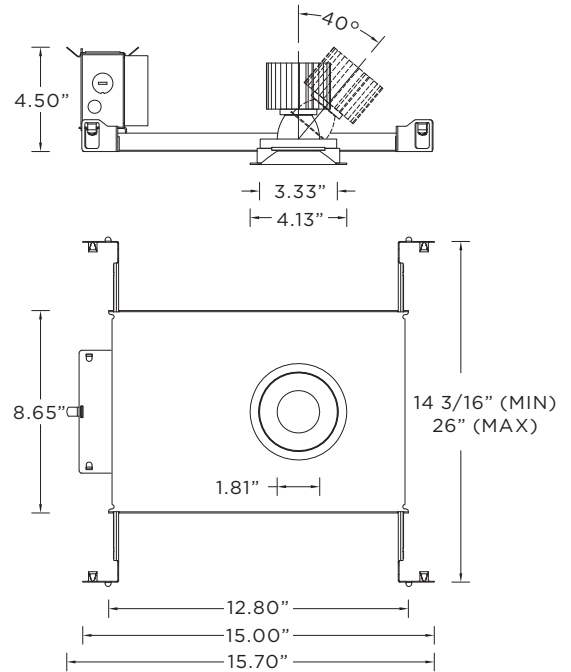
Ambient temperature at fixture should not exceed 25°C

**TRIM HOUSING OPTIONS**

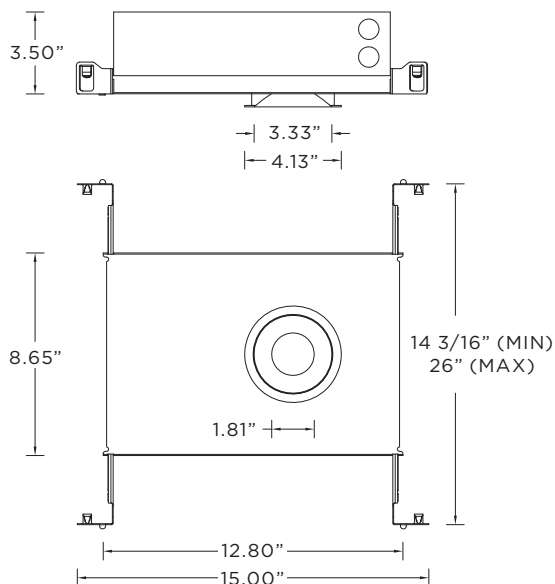
**RMD - Remodel (Non-IC)**



**NCF - New Construction Frame (Non-IC)**

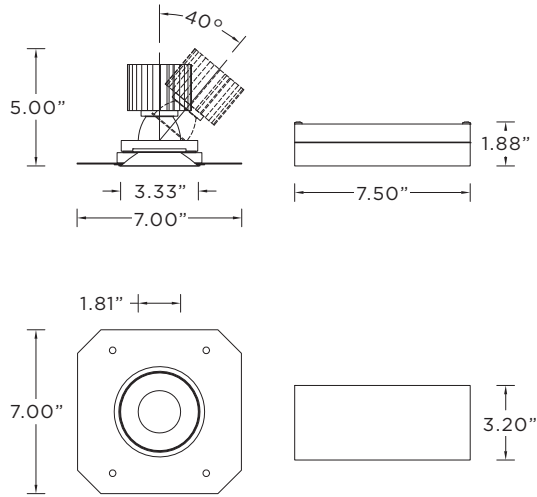


- SH** - IC Rated Shallow Housing (2200lm max)
- ATSH** - Airtight Shallow Housing (2200lm max)
- CP** - Chicago Plenum Housing (2200lm max)

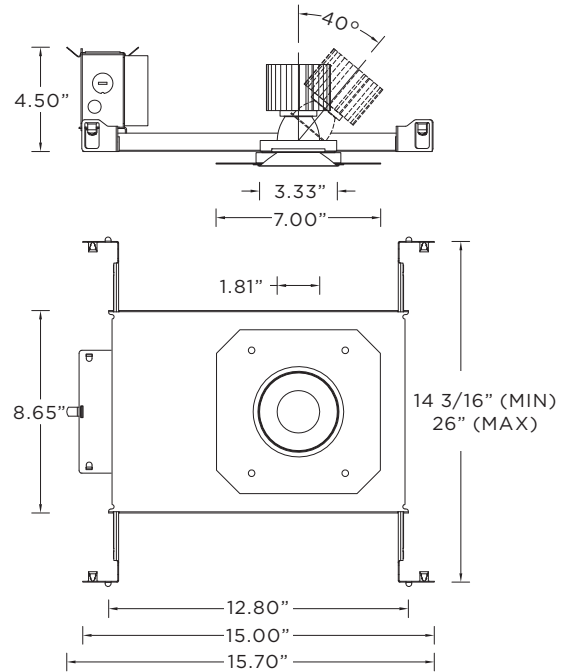


**TRIMLESS HOUSING OPTIONS**

**RMD - Remodel (Non-IC)**



**NCF - New Construction Frame (Non-IC)**



- SH** - IC Rated Shallow Housing (2200lm max)
- ATSH** - Airtight Shallow Housing (2200lm max)
- CP** - Chicago Plenum Housing (2200lm max)

