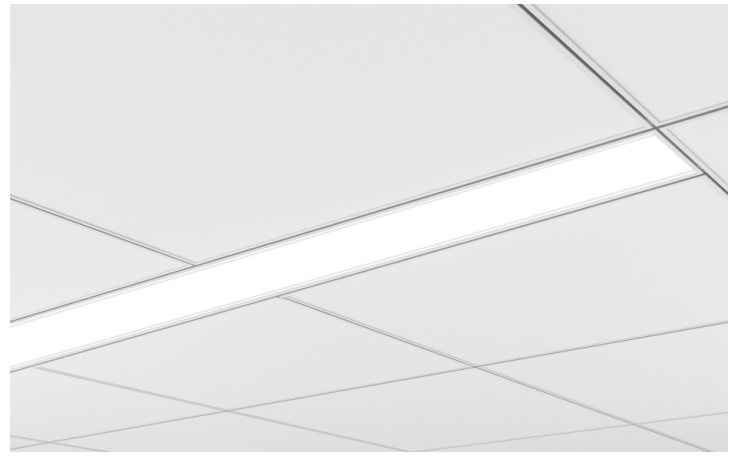




## 3G-4RLI

3.5" RECESSED LINEAR  
GRID CEILING & 4" TECHZONE

3.5" aperture with one piece extruded aluminum housing  
Individual or continuous runs available in multiple run configurations  
Suitable for 4" techzone and various grid ceiling applications  
Extruded acrylic lens available in flush, 1" and 2" drop lens options  
All drop lens options feature illuminated end caps  
1% dimming standard with several driver options



### ORDERING INFORMATION

<b>PROJECT:</b>	<input type="text"/>	<b>TYPE:</b>	<input type="text"/>
<b>CATALOG #:</b>	<input type="text"/>	<b>DATE:</b>	<input type="text"/>

CAT. NO	LED SYSTEM	COLOR TEMP	VOLTAGE	DRIVER
<b>3G-4RLI</b>	<b>L1</b> - LOW OUTPUT	<b>27K</b> - 2700K	<b>UNV</b> - 120V-277V <b>347</b> - 347V (0-10V ONLY)	<b>DIM</b> - 0-10V (STANDARD 100-1%)
	<b>L2</b> - STANDARD OUTPUT	<b>30K</b> - 3000K		<b>DHL2</b> - LUTRON (ECO SYSTEM "H" 100-1%)
	<b>L4</b> - HIGH OUTPUT	<b>35K</b> - 3500K		<b>DALI</b> - DALI (100-1%)
		<b>40K</b> - 4000K		<b>DO1</b> - 0-10V (100-0.1%)

GRID TYPE	LENS OPTIONS	OPTIONS	LENGTH (FEET)
<b>GC1</b> - 9/16 LAYIN <b>GC1S</b> - 9/16 TEGULAR <b>GC1P</b> - 9/16 TEGULAR <b>GC2</b> - 15/16 LAYIN <b>GC2S</b> - 15/16 TEGULAR <b>GC2P</b> - 15/16 TEGULAR <b>GC3</b> - 9/16 SLOT TEE TEGULAR <b>4TZ</b> - 4 TECHZONE (9/16 ONLY)	<b>FL</b> - FLUSH <b>DD1</b> - 1" DROP LENS <b>DD2</b> - 2" DROP LENS	<b>EM</b> - INTEGRAL EMERGENCY BATTERY (4' SECTION) <b>CP</b> - CHICAGO PLENUM	<b>S</b> - ___' (STRAIGHT RUN)* <b>L</b> - ___' X ___' (L-SHAPE) <b>U</b> - ___' X ___' X ___' (U-SHAPE) <b>R</b> - ___' X ___' (RECTANGLE/SQUARE)
See mounting section for grid details			*Individual units available in 3', 4', 5', 6' and 8' Continuous runs available in 1' increments

### PERFORMANCE CHART (Based on 3500K, 4' length)

LENS OPTIONS	LED SYSTEM	SYSTEM WATTS (PER FT)	DELIVERED LUMENS (PER FT)	EFFICACY (LM/W)
<b>FLUSH</b>	<b>L1</b> - LOW OUTPUT	3.4	396	118
	<b>L2</b> - STANDARD OUTPUT	4.9	584	120
	<b>L4</b> - HIGH OUTPUT	8.6	990	115
<b>1" DROP</b>	<b>L1</b> - LOW OUTPUT	3.4	411	122
	<b>L2</b> - STANDARD OUTPUT	4.9	606	124
	<b>L4</b> - HIGH OUTPUT	8.6	1027	119
<b>2" DROP</b>	<b>L1</b> - LOW OUTPUT	3.4	418	124
	<b>L2</b> - STANDARD OUTPUT	4.9	617	126
	<b>L4</b> - HIGH OUTPUT	8.6	1045	121

LUMEN OUTPUT ADJUSTMENT FACTORS: (27K=0.94) (30K=0.97) (35K=1.00) (40K=1.01)

EDITION 01/19





**3G-4RLI**

3.5" RECESSED LINEAR - GRID CEILING & 4" TECHZONE

## TECHNICAL

### HOUSING

- Extruded aluminum housing with 3.5" aperture
- Individual units and continuous runs available in 1' increments
- 24 gauge LED reflector with high reflectance white powder coated finish
- Extruded acrylic lens with a satin finish designed for optimal performance and glare control
- Lens options available in flush, 1" drop and 2" drop
- Standard polyester powder coated matte white finish

### ELECTRICAL

- Standard 0-10V, 100-1% dimming and 0.9 power factor
- Standard 120V-277V universal voltage drivers. Optional 347V 0-10V driver
- Lutron EcoSystem and eldoLED Dali options available with 100-1% dimming
- All drivers are integral and easily accessible through the aperture
- Integral Emergency Battery: 90 minutes

### LED SYSTEM

- Proprietary LED system
- Color consistency < 3 SDCM
- Standard (80+CRI)
- Available in 27K, 30K, 35K, and 40K
- Average rated life of > 50,000 hours
- 5-year warranty

### MOUNTING

- Housing suspended via 1/4" threaded rod or suspension cables
- Suitable for various grid ceiling applications (see mounting details)

### LISTING

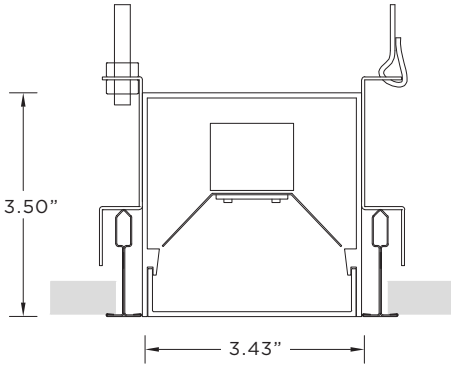
- ETL listed and tested to UL standards. Suitable for dry and damp locations

### WARRANTY

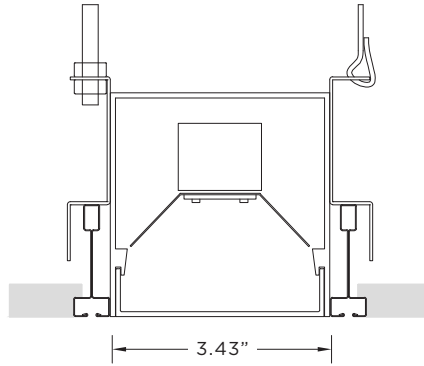
- 5 Year warranty on LED and drivers
- Manufacturer 1-year warranty for defects in material and workmanship under normal use
- Ambient temperature at fixture should not exceed 25°C

### DRAWINGS AND DIMENSIONS

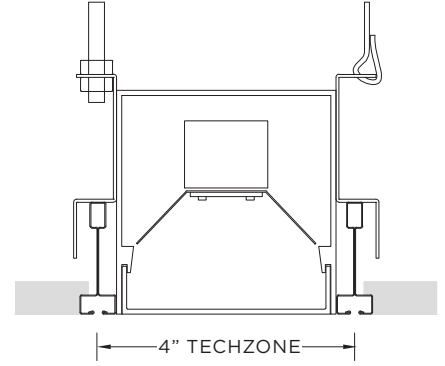
**GC1 - 9/16 LAYIN**



**GC3 - 9/16 SLOT TEE TEGULAR**

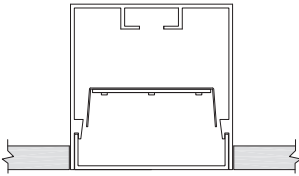


**4TZ - 4" TECHZONE (9/16 ONLY)**

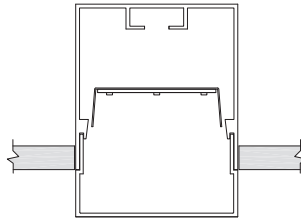


### LENS OPTIONS

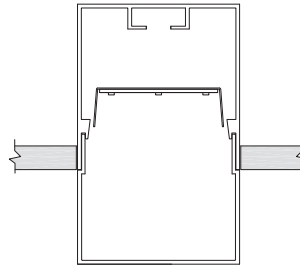
**FL - FLUSH LENS**



**DD1 - 1" DROP LENS**

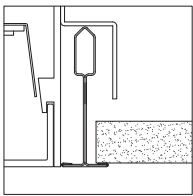


**DD2 - 2" DROP LENS**

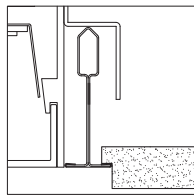


### MOUNTING

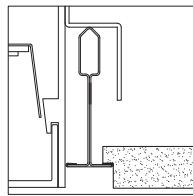
**GC1 - 9/16" LAYIN**



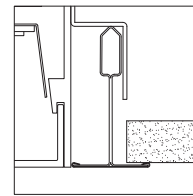
**GC1S - 9/16" TEGULAR**



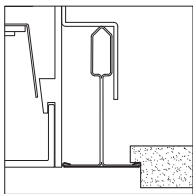
**GC1P - 9/16" TEGULAR**



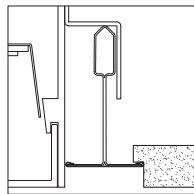
**GC2 - 15/16" LAYIN**



**GC2S - 15/16" TEGULAR**



**GC2P - 15/16" TEGULAR**



**GC3 - 9/16" SLOT TEE TEGULAR**

