

# 3G LIGHTING

## 3G-2RLI

2" RECESSED LINEAR  
WALL TO CEILING



- Narrow 2" aperture with one piece extruded aluminum housing
- Seamless wall to ceiling illumination
- Proprietary alignment mechanism
- Suitable for drywall, wood, and grid ceiling applications
- Extruded acrylic lens available in flush, 1" and 2" drop lens options
- 1% dimming standard with several driver options

### ORDERING INFORMATION

<b>PROJECT:</b>	<input type="text"/>	<b>TYPE:</b>	<input type="text"/>
<b>CATALOG #:</b>	<input type="text"/>	<b>DATE:</b>	<input type="text"/>

CAT. NO	LED SYSTEM	COLOR TEMP	VOLTAGE	DRIVER
<b>3G-2RLI</b>	<b>L1</b> - LOW OUTPUT	<b>27K</b> - 2700K	<b>UNV</b> - 120V-277V <b>347</b> - 347V (0-10V ONLY)	<b>DIM</b> - 0-10V (STANDARD 100-1%)
	<b>L2</b> - STANDARD OUTPUT	<b>30K</b> - 3000K		<b>DHL2</b> - LUTRON (ECO SYSTEM "H" 100-1%)
	<b>L4</b> - HIGH OUTPUT	<b>35K</b> - 3500K		<b>DALI</b> - DALI (100-1%)
		<b>40K</b> - 4000K		<b>D01</b> - 0-10V (100-0.1%)

FLANGE TYPE (WALL)	FLANGE TYPE (CEILING)	LENS OPTIONS	OPTIONS	LENGTH (FEET)
<b>XTRW</b> - TRIMLESS <b>GXW</b> - FLANGELESS	<b>XTRC</b> - TRIMLESS	<b>FL</b> - FLUSH <b>DD1</b> - 1" DROP LENS <b>DD2</b> - 2" DROP LENS	<b>EM</b> - INTEGRAL EMERGENCY BATTERY (4' SECTION) <b>CP</b> - CHICAGO PLENUM	<b>W</b> ___' x <b>C</b> ___' (WALL TO CEILING)*
	<b>GXC</b> - FLANGELESS <b>GC1</b> - 9/16 LAYIN <b>GC1S</b> - 9/16 TEGULAR <b>GC2</b> - 15/16 LAYIN <b>GC2S</b> - 15/16 TEGULAR <b>GC3</b> - 9/16 SLOT TEE TEGULAR			<b>W</b> ___' x <b>C</b> ___' x <b>W</b> ___' (WALL TO CEILING TO WALL)

\*Available in 1' increments.

### PERFORMANCE CHART (Based on 3500K, 4' length)

LENS OPTIONS	LED SYSTEM	SYSTEM WATTS (PER FT)	DELIVERED LUMENS (PER FT)	EFFICACY (LM/W)
<b>FLUSH</b>	<b>L1</b> - LOW OUTPUT	3.3	334	100
	<b>L2</b> - STANDARD OUTPUT	5.1	507	99
	<b>L4</b> - HIGH OUTPUT	8.8	837	96
<b>1" DROP</b>	<b>L1</b> - LOW OUTPUT	3.3	360	108
	<b>L2</b> - STANDARD OUTPUT	5.1	545	107
	<b>L4</b> - HIGH OUTPUT	8.8	900	103
<b>2" DROP</b>	<b>L1</b> - LOW OUTPUT	3.3	368	110
	<b>L2</b> - STANDARD OUTPUT	5.1	557	109
	<b>L4</b> - HIGH OUTPUT	8.8	920	105

LUMEN OUTPUT ADJUSTMENT FACTORS: (27K=0.94) (30K=0.97) (35K=1.00) (40K=1.01)

EDITION 01/19





**3G-2RLI**

LIGHTING 2" RECESSED LINEAR - WALL TO CEILING

## TECHNICAL

### HOUSING

- Extruded aluminum housing with narrow 2" aperture
- Wall to ceiling configurations available in 1' increments
- Trimless model features a satin coat mudding flange
- 24 gauge LED reflector with high reflectance white powder coated finish
- Extruded acrylic lens with a satin finish designed for optimal performance and glare control
- Lens options available in flush, 1" drop and 2" drop
- Standard polyester powder coated matte white finish

### ELECTRICAL

- Standard 0-10V, 100-1% dimming and 0.9 power factor
- Standard 120V-277V universal voltage drivers. Optional 347V 0-10V driver
- Lutron EcoSystem and eldoLED Dali options available with 100-1% dimming
- All driver are integral and easily accessible through the aperture
- Integral Emergency Battery: 90 minutes

### LED SYSTEM

- Proprietary LED system
- Color consistency < 3 SDCM
- Standard (80+CRI)
- Available in 27K, 30K, 35K, and 40K
- Average rated life of > 50,000 hours
- 5-year warranty

### MOUNTING

- Proprietary alignment mechanism for seamless wall to ceiling illumination
- Suitable for drywall and wood ceilings (see mounting details)
- Suitable for various architectural ceilings (see mounting details)

### LISTING

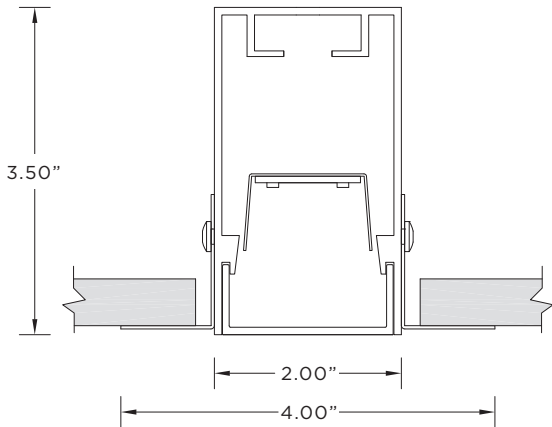
- ETL listed and tested to UL standards. Suitable for dry and damp locations

### WARRANTY

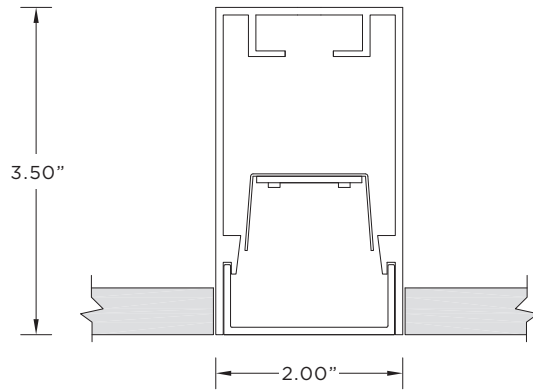
- 5 Year warranty on LED and drivers
- Manufacturer 1-year warranty for defects in material and workmanship under normal use
- Ambient temperature at fixture should not exceed 25°C

### DRAWINGS AND DIMENSIONS

**XTRW - TRIMLESS**

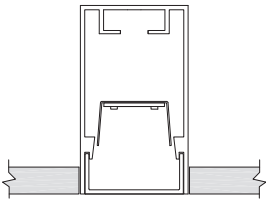


**GXW - FLANGELESS**

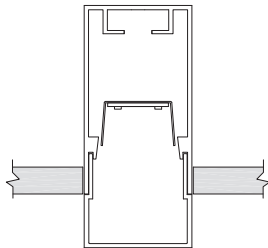


### LENS OPTIONS

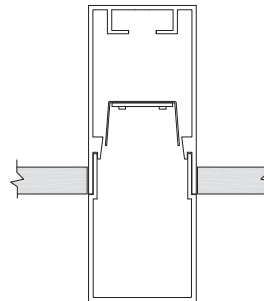
**FL - FLUSH LENS**



**DD1 - 1" DROP LENS**



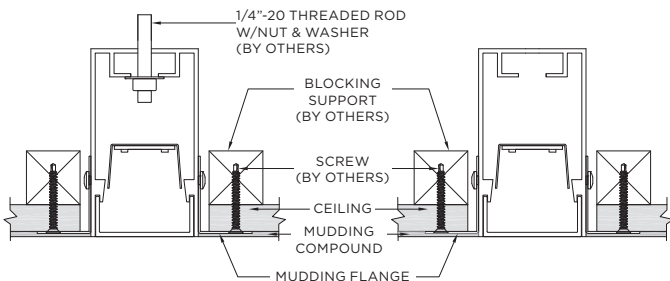
**DD2 - 2" DROP LENS**



### MOUNTING

**CEILING-TRIMLESS**

**WALL-TRIMLESS**

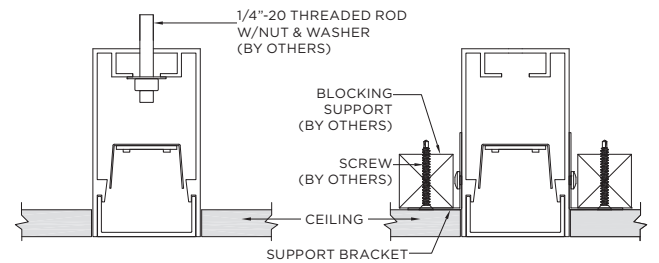


CEILING CUT-OUT  
2.5" x (LENGTH + 0.5")

CEILING CUT-OUT  
2.5" x (LENGTH + 0.5")

**CEILING-FLANGELESS**

**CEILING-FLANGELESS**



CEILING CUT-OUT  
2.063" x (LENGTH + 0.125")

CEILING CUT-OUT  
2.063" x (LENGTH + 0.125")