



**3G-2RLI**  
 2" RECESSED LINEAR  
 TRIM, TRIMLESS & FLANGELESS

Narrow 2" aperture with one piece extruded aluminum housing  
 Individual or continuous runs available in multiple run configurations  
 Suitable for drywall, wood, and various architectural ceiling  
 Extruded acrylic lens available in flush, 1" and 2" drop lens options  
 All drop lens options feature illuminated end caps  
 1% dimming standard with several driver options



**ORDERING INFORMATION**

<b>PROJECT:</b>	<input type="text"/>	<b>TYPE:</b>	<input type="text"/>
<b>CATALOG #:</b>	<input type="text"/>	<b>DATE:</b>	<input type="text"/>

CAT. NO	LED SYSTEM	COLOR TEMP	VOLTAGE	DRIVER
<b>3G-2RLI</b>	<b>L1</b> - LOW OUTPUT	<b>27K</b> - 2700K	<b>UNV</b> - 120V-277V <b>347</b> - 347V (0-10V ONLY)	<b>DIM</b> - 0-10V (STANDARD 100-1%)
	<b>L2</b> - STANDARD OUTPUT	<b>30K</b> - 3000K		<b>DHL2</b> - LUTRON (ECO SYSTEM "H" 100-1%)
	<b>L4</b> - HIGH OUTPUT	<b>35K</b> - 3500K		<b>DALI</b> - DALI (100-1%)
		<b>40K</b> - 4000K		<b>DO1</b> - 0-10V (100-0.1%)

FLANGE TYPE	LENS OPTIONS	OPTIONS	LENGTH (FEET)
<b>WT</b> - WHITE TRIM <b>XTR</b> - TRIMLESS <b>FX</b> - FLANGELESS	<b>FL</b> - FLUSH <b>DD1</b> - 1" DROP LENS <b>DD2</b> - 2" DROP LENS	<b>EM</b> - INTEGRAL EMERGENCY BATTERY (4' SECTION) <b>CP</b> - CHICAGO PLENUM	<b>S</b> - ___' (STRAIGHT RUN)* <b>L</b> - ___' X ___' (L-SHAPE) <b>U</b> - ___' X ___' X ___' (U-SHAPE) <b>R</b> - ___' X ___' (RECTANGLE/SQUARE)  *Individual units available in 3', 4', 5', 6' and 8' Continuous runs available in 1' increments

**PERFORMANCE CHART** (Based on 3500K, 4' length)

LENS OPTIONS	LED SYSTEM	SYSTEM WATTS (PER FT)	DELIVERED LUMENS (PER FT)	EFFICACY (LM/W)
<b>FLUSH</b>	<b>L1</b> - LOW OUTPUT	3.3	334	100
	<b>L2</b> - STANDARD OUTPUT	5.1	507	99
	<b>L4</b> - HIGH OUTPUT	8.8	837	96
<b>1" DROP</b>	<b>L1</b> - LOW OUTPUT	3.3	360	108
	<b>L2</b> - STANDARD OUTPUT	5.1	545	107
	<b>L4</b> - HIGH OUTPUT	8.8	900	103
<b>2" DROP</b>	<b>L1</b> - LOW OUTPUT	3.3	368	110
	<b>L2</b> - STANDARD OUTPUT	5.1	557	109
	<b>L4</b> - HIGH OUTPUT	8.8	920	105

LUMEN OUTPUT ADJUSTMENT FACTORS: (27K=0.94) (30K=0.97) (35K=1.00) (40K=1.01)

EDITION 01/19





**3G-2RLI**

2" RECESSED LINEAR - TRIM, TRIMLESS & FLANGELESS

## TECHNICAL

### HOUSING

- Extruded aluminum housing with narrow 2" aperture
- Individual units and continuous runs available in 1' increments
- Trim flange with matte white powder coated finish and minimal 0.375" overlap
- Trimless model features a satin coat mudding flange
- 24 gauge LED reflector with high reflectance white powder coated finish
- Extruded acrylic lens with a satin finish designed for optimal performance and glare control
- Lens options available in flush, 1" drop and 2" drop
- Standard polyester powder coated matte white finish

### ELECTRICAL

- Standard 0-10V, 100-1% dimming and 0.9 power factor
- Standard 120V-277V universal voltage drivers. Optional 347V 0-10V driver
- Lutron EcoSystem and eldoLED Dali options available with 100-1% dimming
- All drivers are integral and easily accessible through the aperture
- Integral Emergency Battery: 90 minutes

### LED SYSTEM

- Proprietary LED system
- Color consistency < 3 SDCM
- Standard (80+CRI)
- Available in 27K, 30K, 35K, and 40K
- Average rated life of > 50,000 hours
- 5-year warranty

### MOUNTING

- Housing suspended via 1/4" threaded rod
- Trim fixture designed for use in drywall, wood, and other architectural ceiling materials
- Trimless fixture designed for use in drywall, mud-in ceiling applications
- Flangeless fixture designed for use in wood ceilings

### LISTING

- ETL listed and tested to UL standards. Suitable for dry and damp locations

### WARRANTY

- 5 Year warranty on LED and drivers
- Manufacturer 1-year warranty for defects in material and workmanship under normal use
- Ambient temperature at fixture should not exceed 25°C

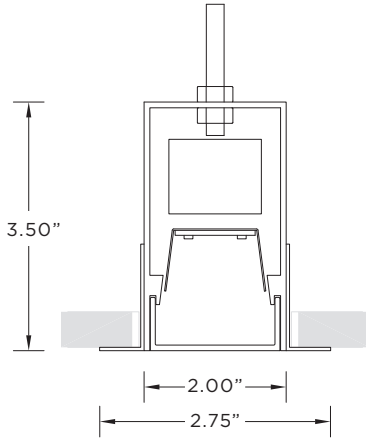


**3G-2RLI**

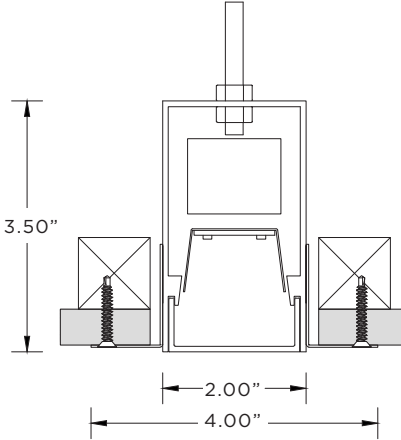
LIGHTING 2" RECESSED LINEAR - TRIM, TRIMLESS & FLANGELESS

**DRAWINGS AND DIMENSIONS**

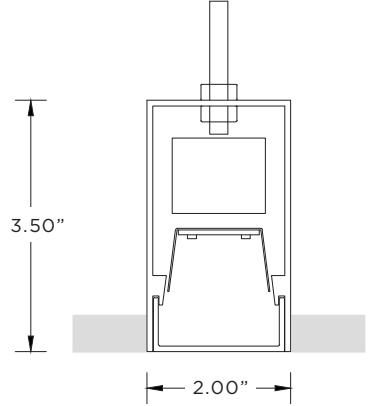
**WT - TRIM**



**XTR - TRIMLESS**

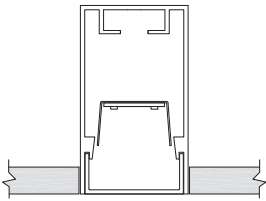


**FX - FLANGELESS**

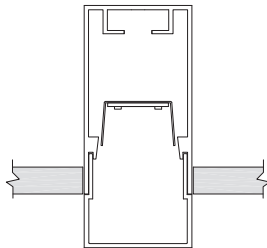


**LENS OPTIONS**

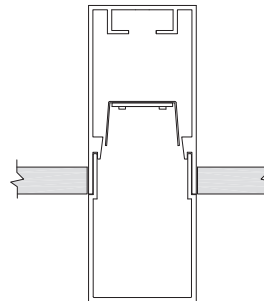
**FL - FLUSH LENS**



**DD1 - 1" DROP LENS**

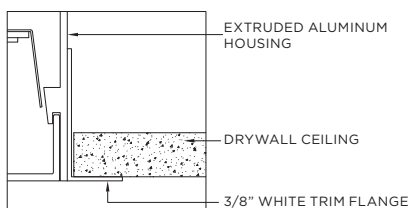


**DD2 - 2" DROP LENS**

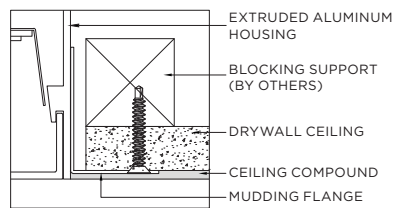


**MOUNTING**

**WT - TRIM**



**XTR - TRIMLESS**



**FX - FLANGELESS**

