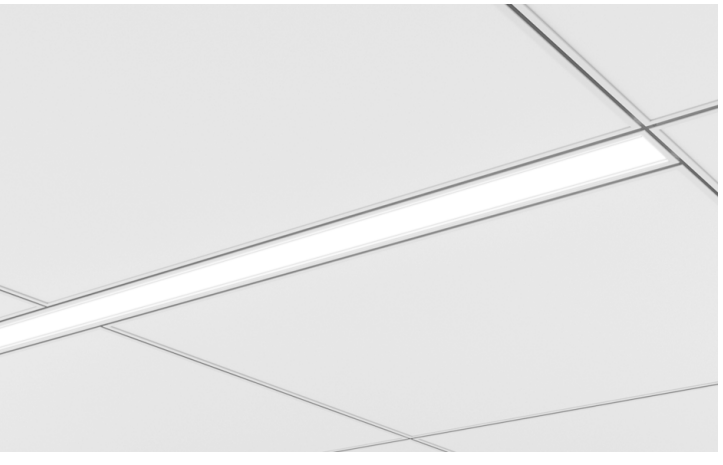




3G-2RLI
2" RECESSED LINEAR
GRID CEILING



Narrow 2" aperture with one piece extruded aluminum housing
Individual or continuous runs available in multiple run configurations
Suitable for various grid ceiling applications
Extruded acrylic lens available in flush, 1" and 2" drop lens options
All drop lens options feature illuminated end caps
1% dimming standard with several driver options

ORDERING INFORMATION

PROJECT:	<input type="text"/>	TYPE:	<input type="text"/>
CATALOG #:	<input type="text"/>	DATE:	<input type="text"/>

CAT. NO	LED SYSTEM	COLOR TEMP	VOLTAGE	DRIVER
3G-2RLI	L1 - LOW OUTPUT	27K - 2700K	UNV - 120V-277V 347 - 347V (0-10V ONLY)	DIM - 0-10V (STANDARD 100-1%)
	L2 - STANDARD OUTPUT	30K - 3000K		DHL2 - LUTRON (ECO SYSTEM "H" 100-1%)
	L4 - HIGH OUTPUT	35K - 3500K		DALI - DALI (100-1%)
		40K - 4000K		DO1 - 0-10V (100-0.1%)

GRID TYPE	LENS OPTIONS	OPTIONS	LENGTH (FEET)
GC1 - 9/16 LAYIN GC1S - 9/16 TEGULAR GC1P - 9/16 TEGULAR GC2 - 15/16 LAYIN GC2S - 15/16 TEGULAR GC2P - 15/16 TEGULAR GC3 - 9/16 SLOT TEE TEGULAR <small>See mounting section for grid details</small>	FL - FLUSH DD1 - 1" DROP LENS DD2 - 2" DROP LENS	EM - INTEGRAL EMERGENCY BATTERY (4' SECTION) CP - CHICAGO PLENUM	S - ___' (STRAIGHT RUN)* L - ___' X ___' (L-SHAPE) U - ___' X ___' X ___' (U-SHAPE) R - ___' X ___' (RECTANGLE/SQUARE) <small>*Individual units available in 3', 4', 5', 6' and 8' Continuous runs available in 1' increments</small>

PERFORMANCE CHART (Based on 3500K, 4' length)

LENS OPTIONS	LED SYSTEM	SYSTEM WATTS (PER FT)	DELIVERED LUMENS (PER FT)	EFFICACY (LM/W)
FLUSH	L1 - LOW OUTPUT	3.3	334	100
	L2 - STANDARD OUTPUT	5.1	507	99
	L4 - HIGH OUTPUT	8.8	837	96
1" DROP	L1 - LOW OUTPUT	3.3	360	108
	L2 - STANDARD OUTPUT	5.1	545	107
	L4 - HIGH OUTPUT	8.8	900	103
2" DROP	L1 - LOW OUTPUT	3.3	368	110
	L2 - STANDARD OUTPUT	5.1	557	109
	L4 - HIGH OUTPUT	8.8	920	105

LUMEN OUTPUT ADJUSTMENT FACTORS: (27K=0.94) (30K=0.97) (35K=1.00) (40K=1.01)

EDITION 01/19





3G-2RLI

LIGHTING 2" RECESSED LINEAR - GRID CEILING

TECHNICAL

HOUSING

- Extruded aluminum housing with narrow 2" aperture
- Individual units and continuous runs available in 1' increments
- 24 gauge LED reflector with high reflectance white powder coated finish
- Extruded acrylic lens with a satin finish designed for optimal performance and glare control
- Lens options available in flush, 1" drop and 2" drop
- Standard polyester powder coated matte white finish

ELECTRICAL

- Standard 0-10V, 100-1% dimming and 0.9 power factor
- Standard 120V-277V universal voltage drivers. Optional 347V 0-10V driver
- Lutron EcoSystem and eldoLED Dali options available with 100-1% dimming
- All drivers are integral and easily accessible through the aperture
- Integral Emergency Battery: 90 minutes

LED SYSTEM

- Proprietary LED system
- Color consistency < 3 SDCM
- Standard (80+CRI)
- Available in 27K, 30K, 35K, and 40K
- Average rated life of > 50,000 hours
- 5-year warranty

MOUNTING

- Housing suspended via 1/4" threaded rod or suspension cables
- Suitable for various grid ceiling applications (see mounting details)

LISTING

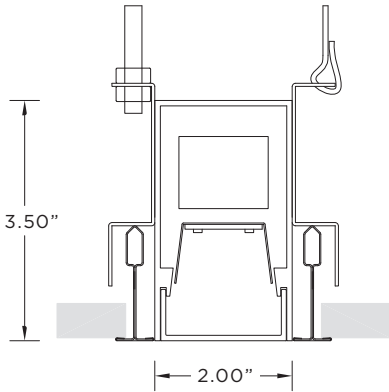
- ETL listed and tested to UL standards. Suitable for dry and damp locations

WARRANTY

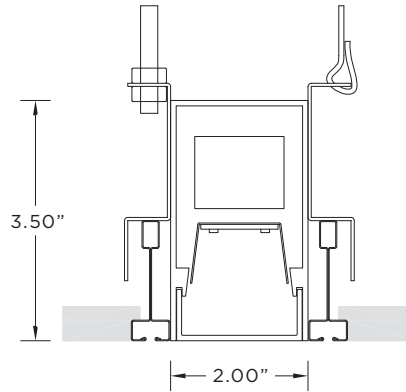
- 5 Year warranty on LED and drivers
- Manufacturer 1-year warranty for defects in material and workmanship under normal use
- Ambient temperature at fixture should not exceed 25°C

DRAWINGS AND DIMENSIONS

GC1 - 9/16 LAYIN

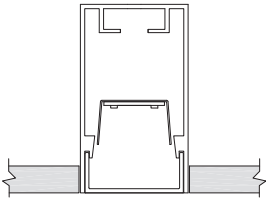


GC3 - 9/16 SLOT TEE TEGULAR

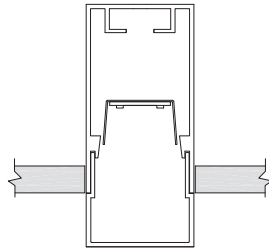


LENS OPTIONS

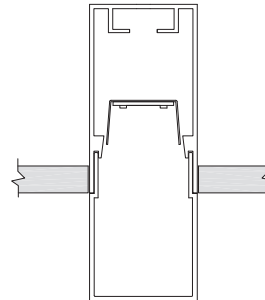
FL - FLUSH LENS



DD1 - 1" DROP LENS

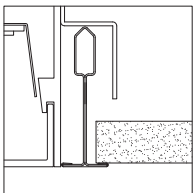


DD2 - 2" DROP LENS

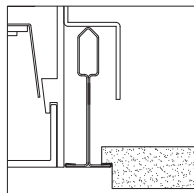


MOUNTING

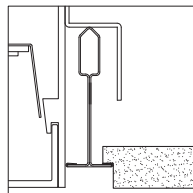
GC1 - 9/16" LAYIN



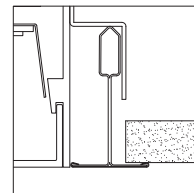
GC1S - 9/16" TEGULAR



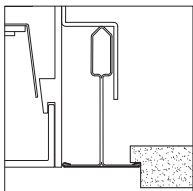
GC1P - 9/16" TEGULAR



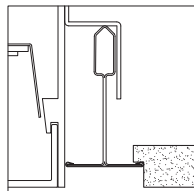
GC2 - 15/16" LAYIN



GC2S - 15/16" TEGULAR



GC2P - 15/16" TEGULAR



GC3 - 9/16" SLOT TEE TEGULAR

