

JAKE LED

1.65" 2.25" 3.25" 5.00"
Trim/Trimless

Recessed Linear LED Fixture



JAKE LED is a recessed linear luminaire comprised of various apertures, LED light source options and accessory options. JAKE LED 1.65", 2.25", 3.25" and 5.00" can be installed in gypsum ceilings or walls with either a 3/4" Trim (TR) or Trimless (TL) mud-over flange. T-grid models for drop ceilings are also available.

Offering various installations from wall to ceiling, or along the wall, JAKE LED qualifies as one of our most versatile fixtures yet. Optional 90° mitered angles allow the creation of endless transverse runs: Inside Corner wall to ceiling (IC90), Outside Corner (OC90), or Face surface (F90). JAKE LED accessory options are designed to fit your most sophisticated lighting applications via lenses, louvers, and distinctive finishes.

JAKE LED Light Engines and dimmable driver components which combined together provide optimal LED lighting system capabilities.



Made in the USA

FIXTURE SPECIFICATIONS

Construction

Fixture body is constructed of heavy gauge extruded aluminum. Fixtures are available in nominal lengths of 2, 3, 4, 6 and 8 feet, and continuous run lengths. Lenses are extruded acrylic.

Mounting

Recessed linear fixture for drywall or wood ceiling installations, or for mounting on the wall on a vertical plane. Available as continuous run mount. See installation information for specific details regarding installation guidelines. Various mounting clips provided for ease of installation.

LED Light Engine System

LED Light Engines are available as HLO (High Lumen Output) and SLO (Standard Lumen Output) providing efficient illumination. CLO (Custom Lumen Output) allows for end user specified lumen output or tailored wattage consumption for certain models. Consult factory for details.

Dimming

Dimming is available with a variety of control protocols and options. Consult factory for availability and specifications.

Finishes

Trim (TR) is standard Satin Clear (SC) anodized. Custom powder coat finishes available - consult factory.

Options

(FBLSS) Flat Blade Louver Semi-Specular. 90° corner angles for transverse-run applications: from wall to ceiling Inside Corner (IC90), Outside Corner (OC90), and Face surface (F90).

Custom and Mods

We proudly specialize in manufacturing custom and modified luminaires and have the ability to modify most of our standard fixtures. Please contact factory with any inquiries.

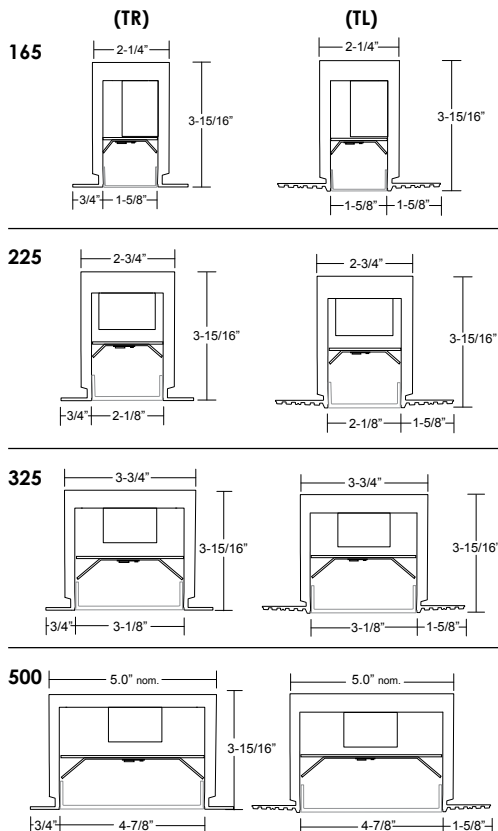
Type: Job Name:

Recessed Linear LED Fixture

SPECIFICATION CODE

model	trim style	light engine	color temp	length	lens	voltage	driver	option	option
Model	Trim Style²	Light Engine	Color Temp	Nominal Length	Lens	Voltage	Driver	Options	
JAK-LED-165 - 1.65" aperture	TR - 3/4" flanged trim	SLO - Standard Lumen Output	27 - 2700K 30 - 3000K 35 - 3500K 40 - 4000K	2 - 2' 3 - 3' 4 - 4'	FW - Frosted White	120 277 347⁸	EB - Electronic Dimming	EM⁷ - Emergency battery pack	
JAK-LED-225 - 2.25" aperture	TL - Trimless Mud-over flange	HLO - High Lumen Output		6 - 6' 8 - 8'	FBLSS³ - Flat Blade Louver Semi-Specular		D1 - 1% (nom) 0-10V D10 - 10% 0-10V	CP¹⁰ - Chicago Plenum	
JAK-LED-325 - 3.25" aperture		CLO⁸ - Custom Lumen Output			CR¹ Continuous Run		HLA² - Lutron 2 wire HLA3 - Lutron 3 wire HLH - Lutron H EcoSystem HL5 - Lutron 5 series EcoSystem DALI - DALI	Finishes² FB - Flat Black MW - Matte White CUP - Custom powder coat	
JAK-LED-500⁹ - 5.00" aperture		CLO Calculator			MTR-R⁴ Miter Run MTR-REC⁴ Miter Rectangle			Mounting Options⁵ OHMB - Overhead Mounting Bracket BF - Backer Flange HB - Hanger Bracket	

Dimensions



NOTES

- 1 specify lengths in nominal feet
- 2 TR standard is Satin Clear, T-Grid standard is Matte White, TL standard is Mill Finish. See [option sheet](#) for custom finishes
- 3 FBLSS available for 225 and 325
- 4 see [miter worksheet](#) for specification (must provide detailed drawing for order)
- 5 see [instruction sheet](#) for mounting info
- 6 120V only
- 7 consult factory for EM options
- 8 available for EB, D1, D10 drivers only
- 9 JAK-LED-500 not available in 2700K color temp
- 10 compliant with CCEA Chicago Plenum code requirements

LED

165 (4000K FW lens)

SLO - 85.3 lm/watt delivered @ 2.9 w/ft fixture input watts, 248 lm/ft.
HLO - 83.8 lm/watt delivered @ 5.9 w/ft fixture input watts, 494 lm/ft.
CLO - refer to [CLO Calculator](#)
165 LED [supplement info](#)

225 (4000K FW lens)

SLO - 68.5 lm/watt delivered @ 4.4 w/ft fixture input watts, 302 lm/ft.
HLO - 64.4 lm/watt delivered @ 9 w/ft fixture input watts, 580 lm/ft.
CLO - refer to [CLO Calculator](#)
225 LED [supplement info](#)

325 (4000K FW lens)

SLO - 84.5 lm/watt delivered @ 4.4 w/ft fixture input watts, 372 lm/ft.
HLO - 79.4 lm/watt delivered @ 9 w/ft fixture input watts, 715 lm/ft.
CLO - refer to [CLO Calculator](#)
325 LED [supplement info](#)

500 (4000K FW lens)

SLO - 91.3 lm/watt delivered @ 5.8 w/ft fixture input watts, 530 lm/ft.
HLO - 85.1 lm/watt delivered @ 12.1 w/ft fixture input watts, 1030 lm/ft.
CLO - refer to [CLO Calculator](#)
500 LED [supplement info](#)